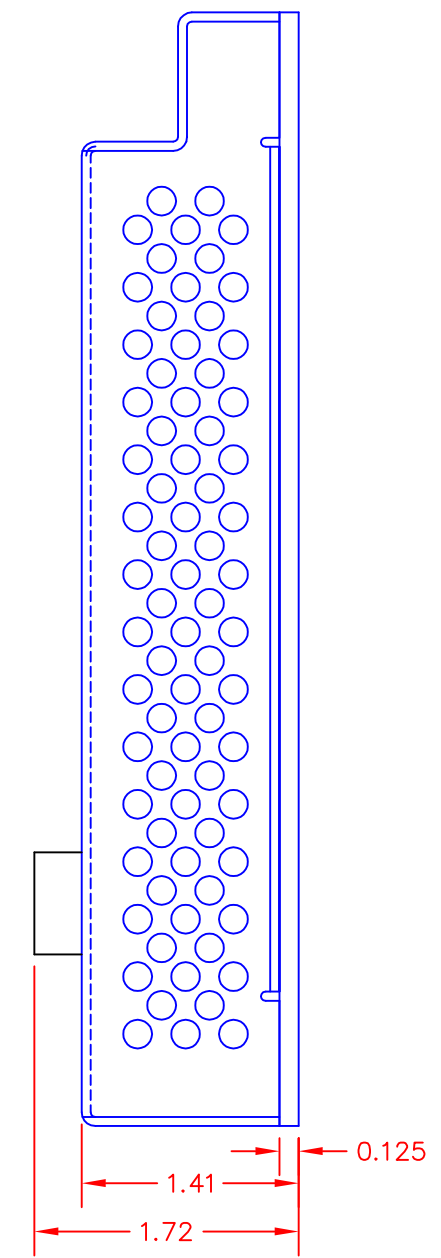
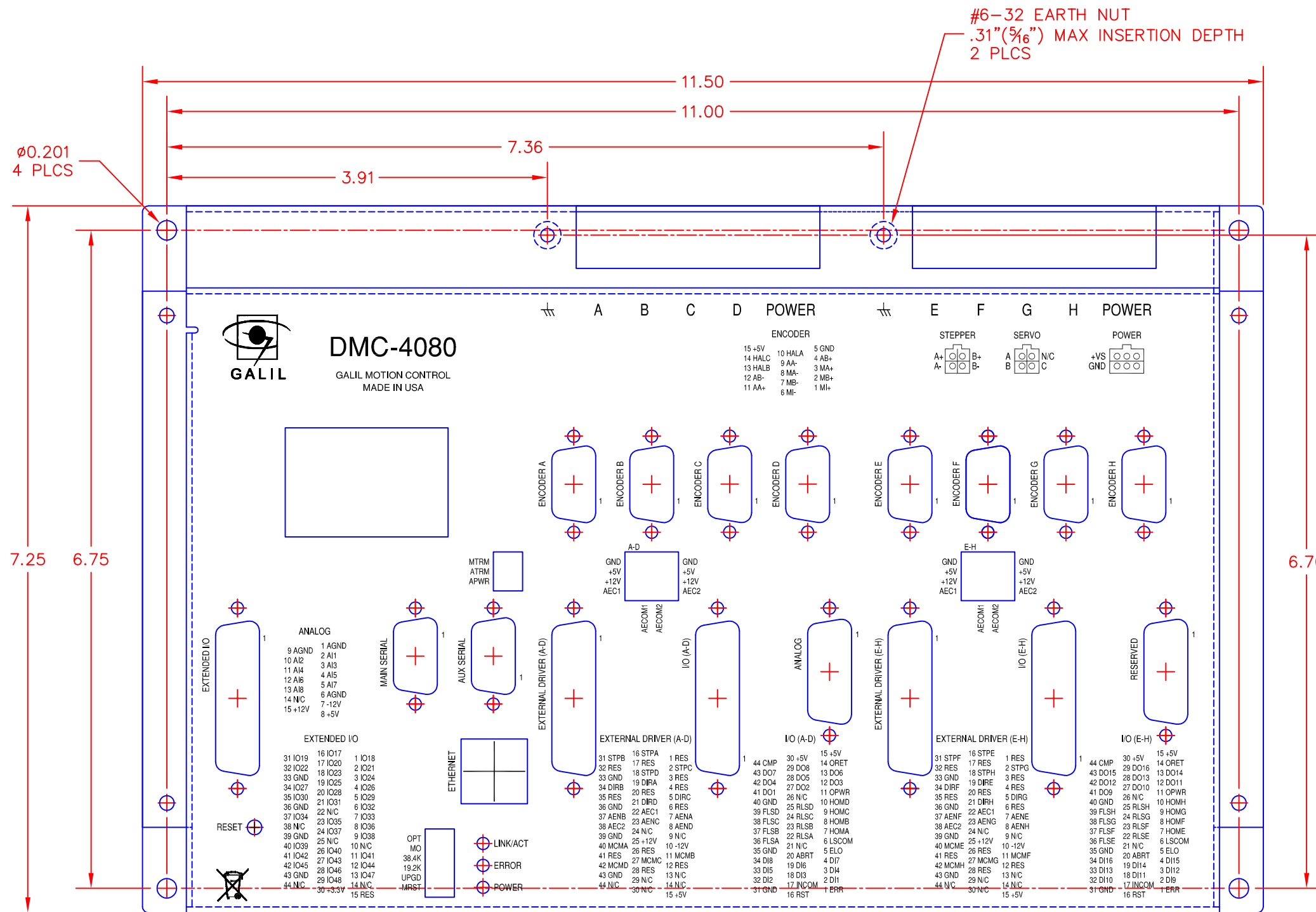


REV	DESCRIPTION	DATE
04	ADDED D-SUB LOCATIONS (SH 2)	04/18/08
05	ADDED EARTH SCREW LOCATION	02/09/09
06	ADDED ETHERNET JACK HEIGHT	06/21/10



GALIL MOTION CONTROL
 270 TECHNOLOGY WAY
 ROCKLIN, CA 95765
 (916) 626-0101

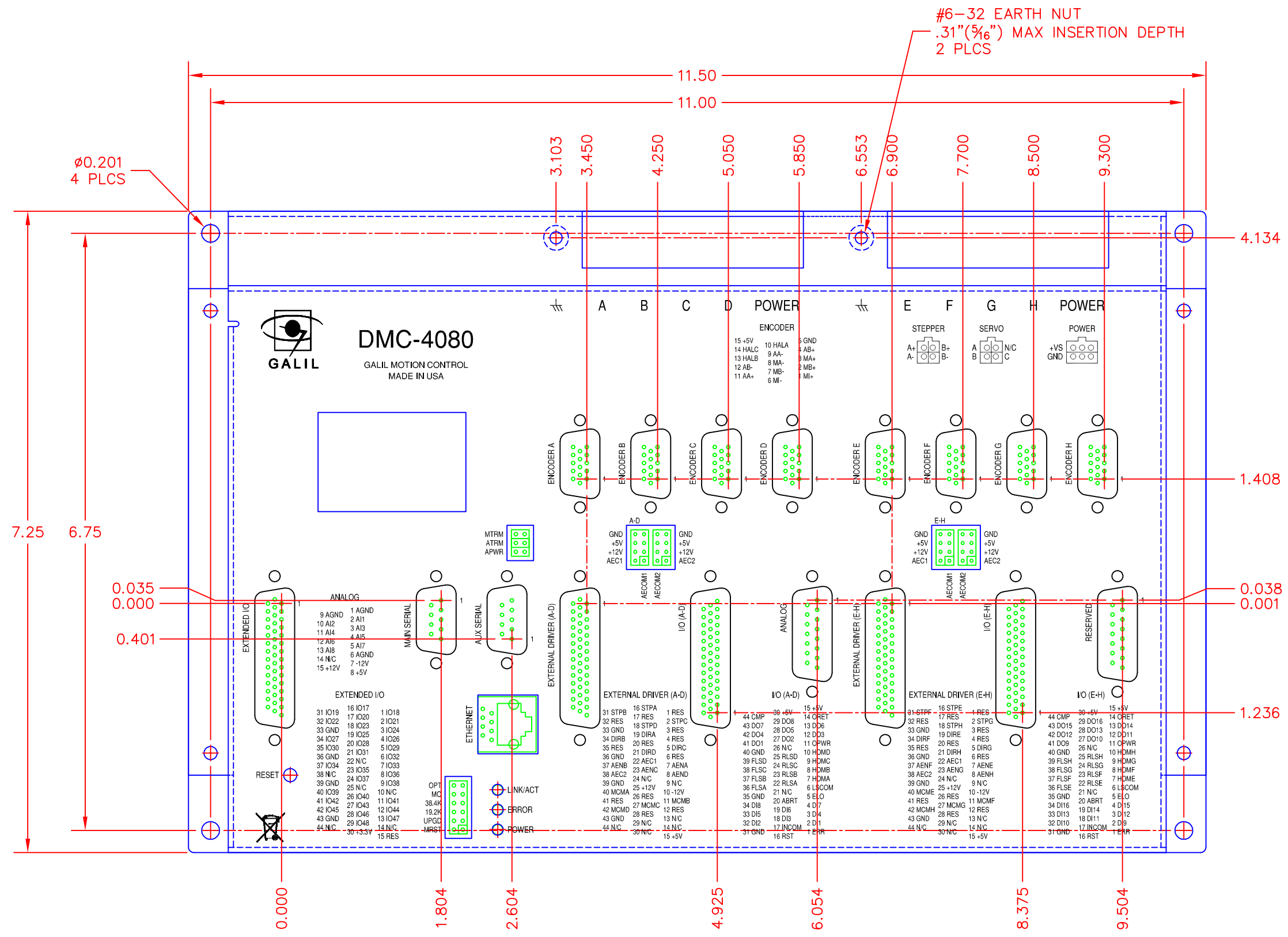
TITLE
DIMENSIONS

PART NUMBER
DMC-4080-1000

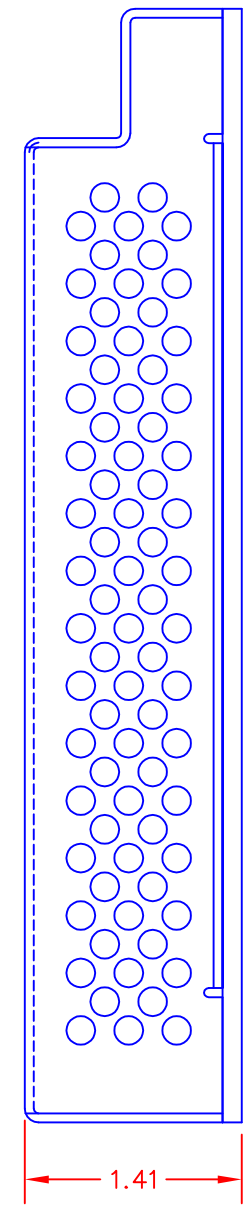
SCALE: .8=1

REV
06

SHEET: 1 OF 2



#6-32 EARTH NUT
.31" (5/16") MAX INSERTION DEPTH
2 PLCS



TITLE		DIMENSIONS	
PART NUMBER		DMC-4080-1000	
SCALE: .8=1		REV	06
		SHEET: 2 OF 2	