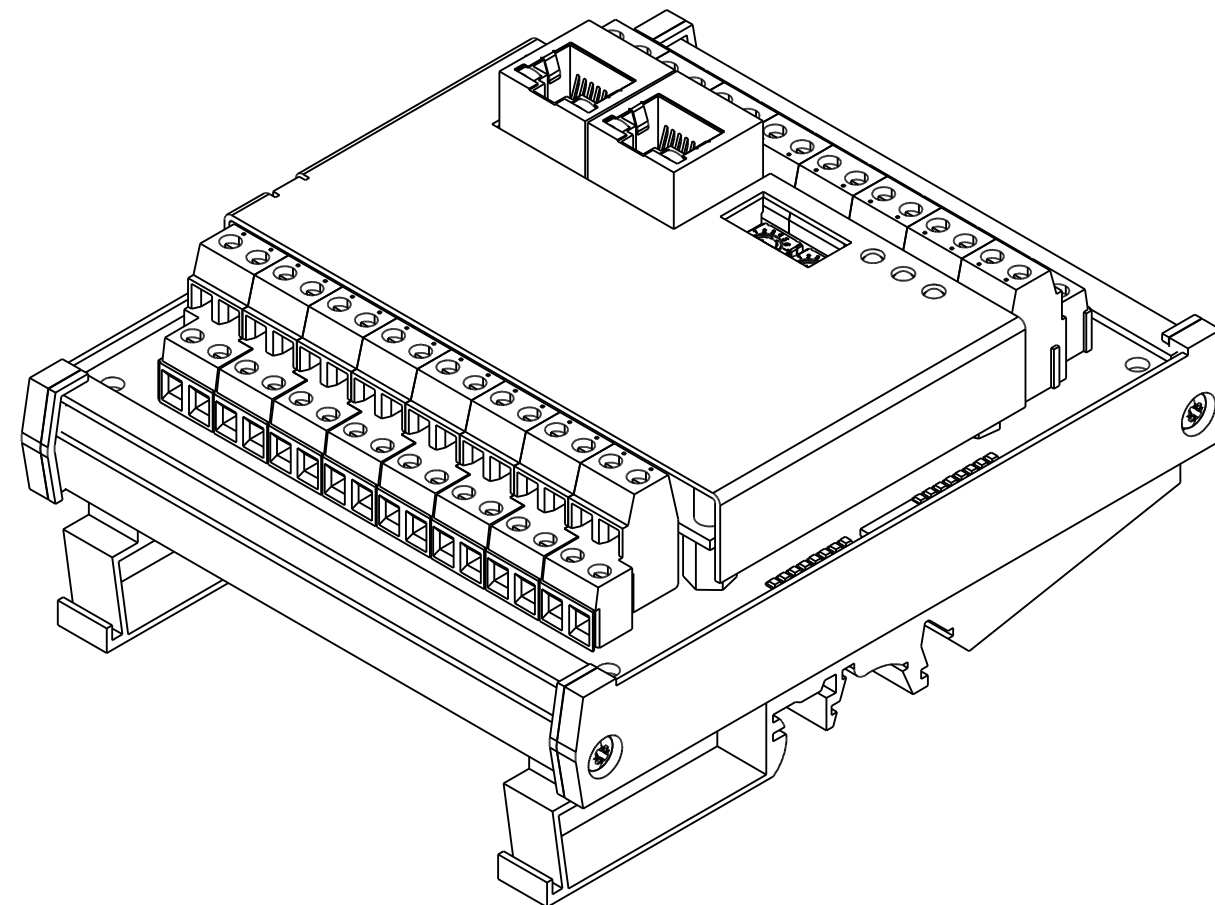
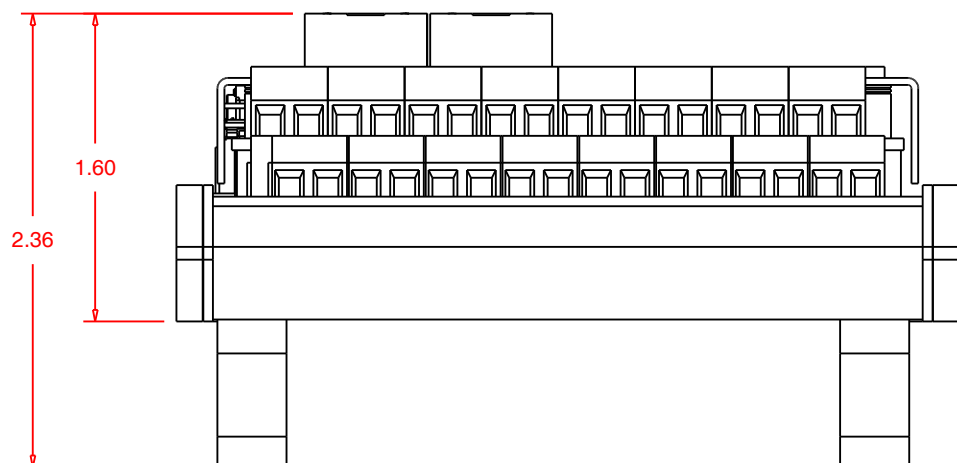
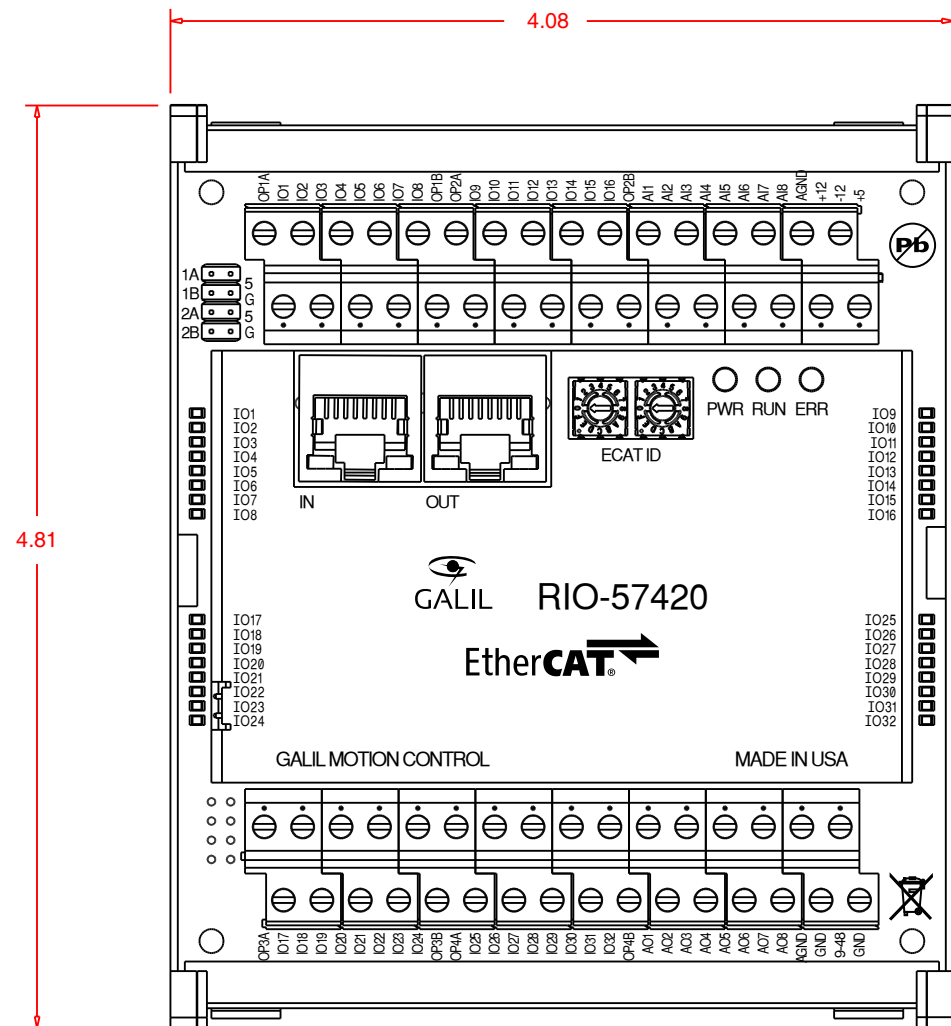



REV	DESCRIPTION	DATE
01	INITIAL RELEASE	10/30/15
.	.	.
.	.	.



UNLESS OTHERWISE SPECIFIED: DIMENSIONS ARE IN INCHES		GALIL MOTION CONTROL		
TOLERANCES ARE: .XX ±0.015 .XXX ±0.010		270 TECHNOLOGY WAY ROCKLIN, CA 95765 (916) 626-0101		
MATERIAL:	N/A	TITLE DIMENSIONS		
FINISH:	N/A	PART NUMBER RIO-57240-DIN	REV 01	
		SCALE: 1 = 1	SHEET: 1 OF 1	