
USER MANUAL

DMC-1000

Manual Rev. 2.0xf

By Galil Motion Control, Inc.

*Galil Motion Control, Inc.
270 Technology Way
Rocklin, California 95765
Phone: (916) 626-0101
Fax: (916) 626-0102
Internet Address: support@galilmc.com
URL: www.galilmc.com*

Rev 6/06

Using This Manual

This user manual provides information for proper operation of the DMC-1000 controller. A separate supplemental manual, the Command Reference, contains a description of the commands available for use with this controller.

Your DMC-1000 motion controller has been designed to work with both servo and stepper type motors. In addition, the DMC-1000 has a daughter board for controllers with more than 4 axes. Installation and system setup will vary depending upon whether the controller will be used with stepper motors, or servo motors, and whether the controller has more than 4 axes of control. To make finding the appropriate instructions faster and easier, icons will be next to any information that applies exclusively to one type of system. Otherwise, assume that the instructions apply to all types of systems. The icon legend is shown below.



Attention: Pertains to servo motor use.



Attention: Pertains to stepper motor use.



Attention: Pertains to controllers with more than 4 axes.

Please note that many examples are written for the DMC-1040 four-axis controller or the DMC-1080 eight axes controller. Users of the DMC-1030 3-axis controller, DMC-1020 2-axis controller or DMC-1010 1-axis controller should note that the DMC-1030 uses the axes denoted as XYZ, the DMC-1020 uses the axes denoted as XY, and the DMC-1010 uses the X-axis only.

Examples for the DMC-1080 denote the axes as A,B,C,D,E,F,G,H. Users of the DMC-1050 5-axis controller, DMC-1060 6-axis controller or DMC-1070, 7-axis controller should note that the DMC-1050 denotes the axes as A,B,C,D,E, the DMC-1060 denotes the axes as A,B,C,D,E,F and the DMC-1070 denotes the axes as A,B,C,D,E,F,G. The axes A,B,C,D may be used interchangeably with X,Y,Z,W.

This manual was written for the DMC-1000 firmware revision 2.0 and later. For controllers with firmware previous to revision 2.0, please consult the original manual for your hardware. The later revision firmware was previously specified as DMC-1000-18.

WARNING: Machinery in motion can be dangerous! It is the responsibility of the user to design effective error handling and safety protection as part of the machine. Galil shall not be liable or responsible for any incidental or consequential damages.

Firmware Updates

New feature for Rev 2.0h February 1998:

Feature

1. CMDERR enhanced to support multitasking
2. _VM returns instantaneous commanded vector velocity
3. FA resolution increased to 0.25.

Description

If CMDERR occurs on thread 1,2 or 3, thread will be halted. Thread can be re-started with
XQ_ED2,_ED1, 1 for retry
XQ_ED3,_ED1, 1 for next instruction

New feature for Rev 2.0g November 1997:

Feature

1. CR radius now has range of 16 million
2. _AB returns abort input
3. CW,1 When output FIFO full application program will not pause but data will be lost
4. List Variable (LV), List Array (LA), List app program labels (LL)

Description

Allows for large circular interpolation radii
Allows for monitoring of abort input
Allows for output FIFO buffer to fill up without affecting the execution of a program
Allows for the user to interrogate Ram

New feature for Rev 2.0e May 1997:

Feature

1. ER now accepts argument < 0
2. During a PR decel can now be changed on an unnatural stop

Description

Disables error output (LED and Error Output does not turn on for that axis)
Allows for monitoring of abort input

New feature for Rev 2.0d February 1997:

Feature

1. AP, MF, MR in stepper now uses _DE instead of _RP
2. \ now terminates QD
3. KS can now be fraction (down to .5)
4. New arguments for MT of 2.5 and -2.5
5. MG now can go to 80 characters

Description

Trippoints based on register after buffer
Download array no longer requires control sequence to end
Allows for smaller stepper motor smoothing delay (due to filter)
Reverses the direction of motion from MT 2 and MT -2
Increased message size

New feature for Rev 2.0c October 1996:

Feature

1. MC now works for steppers

Description

More accurate trippoint for stepper motor completion

New feature for Rev 2.0b September 1996:

Feature

1. Operand '&' and '|' for conditional statements

Description

Allows for multiple conditional statements in jump routines
IE. (A>=3) & (B<55) | (C=78)

New feature for Rev 2.0 March 1996. (This revision is also designated DMC-1000-18).**Feature**

1. DAC resolution increased to 16-bits.
2. Step motor control method improved.
3. KS command added

Description

Step Motor Smoothing

New feature for Rev 1.5 (rev. 1.2 for DMC-1080)**Feature**

1. Electronic Cam

Description

New commands:

Command

EA
EM
EP
ET
EB
EG
EQ

Description

Choose ECAM master
Cam Cycle Command
Cam table interval and starting point
ECAM table entry
Enable ECAM
Engage ECAM cycle
Disengage ECAM

New features added Jan 1995:

Allow circular array recording.

New commands added July 1994 Rev 1.4:**Command**

RI,N
QU
QD
MF x,y,z,w
MR x,y,z,w
MC XYZW
TW x,y,z,w
VR r

Description

N is a new interrupt mask which allows changing the interrupt mask
Upload array
Download array
Trippoint for motion - forward direction
Trippoint for motion - reverse direction
In position trippoint
Sets timeout for in position
Sets speed ratio for VS

New commands added January 1994 Rev 1.3:

Can specify parameters with axis designator. For example:

Command**Description**

KPZ=10

Set Z axis gain to 10

KP*=10

Set all axes gains to 10

(KPXZ=10 is invalid. Only one or all axes can be specified at a time).

New commands added July 1993 Rev 1.2:

Command

_UL

Description

Gives available variables

_DL

Give available labels

@COM[n]

2's complement function

New commands added March 1993: Rev 1.2

Command

_CS

Description

Segment counter in LM, VM and CM modes

_AV

Return distance travelled in LM and VM modes

_VPX

Return the coordinate of the last point in a motion sequence, LM or VM

VP x,y<n

Can specify vector speed with each vector segment Where <n sets vector speed

New commands added January 1993:

Command

HX

Description

Halt execution for multitasking

AT

At time trippoint for relative time from reference

ES

Ellipse scale factor

OB n,expression

Defines output n where expression is logical operation, such as I1 & I6, variable or array element

XQ#Label,n

Where n = 0 through 3 and is program thread for multitasking

DV

Dual velocity for Dual Loop

Feature

1.

Description

Allows gearing and coordinated move simultaneously

2.

Multitasking for up to four independent programs

3.

Velocity Damping from auxiliary encoder for dual loop

Contents

| | |
|--|----------|
| Chapter 1 Overview | 1 |
| Introduction | 1 |
| Overview of Motor Types | 1 |
| Standard Servo Motors with +/- 10 Volt Command Signal | 2 |
| Stepper Motor with Step and Direction Signals | 2 |
| DMC-1000 Functional Elements | 2 |
| Microcomputer Section | 3 |
| Motor Interface | 3 |
| Communication | 3 |
| General I/O | 3 |
| System Elements | 3 |
| Motor | 4 |
| Amplifier (Driver) | 4 |
| Encoder | 4 |
| Watch Dog Timer | 4 |
| | |
| Chapter 2 Getting Started | 5 |
| The DMC-1000 Motion Controller | 5 |
| Elements You Need | 6 |
| Installing the DMC-1000 | 7 |
| Step 1. Determine Overall Motor Configuration | 7 |
| Step 2. Configure Jumpers on the DMC-1000 | 7 |
| Step 3. Install the DMC-1000 in the Computer | 8 |
| Step 4. Install Communications Software | 8 |
| Step 5. Establish Communications with Galil Communication Software | 9 |
| Changing the I/O Address of the Controller | 10 |
| Step 6. Connect Amplifiers and Encoders | 11 |
| Step 7a. Connect Standard Servo Motors | 13 |
| Step 7b. Connect Step Motors | 16 |
| Step 8. Tune the Servo System | 17 |
| Design Examples | 18 |
| Example 1 - System Set-up | 18 |
| Example 2 - Profiled Move | 18 |
| Example 3 - Multiple Axes | 18 |
| Example 4 - Independent Moves | 19 |
| Example 5 - Position Interrogation | 19 |
| Example 6 - Absolute Position | 19 |
| Example 7 - Velocity Control | 20 |
| Example 8 - Operation Under Torque Limit | 20 |
| Example 9 - Interrogation | 20 |
| Example 10 - Operation in the Buffer Mode | 21 |
| Example 11 - Motion Programs | 21 |
| Example 12 - Motion Programs with Loops | 21 |

| | |
|--|-----------|
| Example 13 - Motion Programs with Trippoints..... | 22 |
| Example 14 - Control Variables | 22 |
| Example 15 - Linear Interpolation..... | 23 |
| Example 16 - Circular Interpolation..... | 23 |
| Chapter 3 Connecting Hardware | 25 |
| Overview..... | 25 |
| Using Optoisolated Inputs | 25 |
| Limit Switch Input..... | 25 |
| Home Switch Input..... | 26 |
| Abort Input | 26 |
| Uncommitted Digital Inputs | 27 |
| Wiring the Optoisolated Inputs..... | 27 |
| Using an Isolated Power Supply..... | 28 |
| Bypassing the Opto-Isolation: | 29 |
| Changing Optoisolated Inputs From Active Low to Active High..... | 30 |
| Amplifier Interface | 30 |
| TTL Inputs | 31 |
| Analog Inputs..... | 31 |
| TTL Outputs | 32 |
| Offset Adjustment..... | 32 |
| Chapter 4 Communication | 33 |
| Introduction..... | 33 |
| Address Selection | 33 |
| Example - Address Selection..... | 34 |
| Communication with the Controller | 34 |
| Communication Registers..... | 34 |
| Simplified Communication Procedure | 34 |
| Advanced Communication Techniques..... | 35 |
| Interrupts..... | 36 |
| Configuring Interrupts | 36 |
| Servicing Interrupts | 38 |
| Example - Interrupts | 38 |
| Controller Response to DATA | 39 |
| Galil Software Tools and Libraries..... | 39 |
| Chapter 5 Command Basics | 41 |
| Introduction..... | 41 |
| Command Syntax..... | 41 |
| Coordinated Motion with more than 1 axis | 42 |
| Program Syntax | 42 |
| Controller Response to DATA | 42 |
| Interrogating the Controller | 43 |
| Interrogation Commands | 43 |
| Additional Interrogation Methods. | 44 |
| Operands..... | 44 |
| Command Summary | 44 |
| Chapter 6 Programming Motion | 45 |
| Overview..... | 45 |
| Independent Axis Positioning..... | 45 |

| | |
|--|----|
| Command Summary - Independent Axis | 46 |
| Operand Summary - Independent Axis | 46 |
| Independent Jogging..... | 48 |
| Command Summary - Jogging..... | 48 |
| Operand Summary - Independent Axis | 48 |
| Linear Interpolation Mode..... | 49 |
| Specifying Linear Segments..... | 49 |
| Specifying Vector Acceleration, Deceleration and Speed:..... | 50 |
| Additional Commands..... | 50 |
| Command Summary - Linear Interpolation..... | 51 |
| Operand Summary - Linear Interpolation | 52 |
| Vector Mode: Linear and Circular Interpolation Motion | 54 |
| Specifying Vector Segments | 54 |
| Specifying Vector Acceleration, Deceleration and Speed:..... | 55 |
| Additional Commands..... | 55 |
| Command Summary - Vector Mode Motion..... | 57 |
| Operand Summary - Vector Mode Motion..... | 57 |
| Electronic Gearing..... | 58 |
| Command Summary - Electronic Gearing | 59 |
| Operand Summary - Electronic Gearing | 59 |
| Electronic Cam | 61 |
| Contour Mode..... | 66 |
| Specifying Contour Segments | 66 |
| Additional Commands..... | 67 |
| Command Summary - Contour Mode | 68 |
| Operand Summary - Contour Mode..... | 68 |
| Stepper Motor Operation | 71 |
| Specifying Stepper Motor Operation..... | 71 |
| Using an Encoder with Stepper Motors | 72 |
| Command Summary - Stepper Motor Operation..... | 73 |
| Operand Summary - Stepper Motor Operation | 73 |
| Dual Loop (Auxiliary Encoder)..... | 73 |
| Backlash Compensation | 74 |
| Command Summary - Using the Auxiliary Encoder..... | 75 |
| Operand Summary - Using the Auxiliary Encoder | 76 |
| Motion Smoothing | 76 |
| Using the IT and VT Commands (S curve profiling):..... | 76 |
| Using the KS Command (Step Motor Smoothing):..... | 77 |
| Homing | 78 |
| High Speed Position Capture (Latch)..... | 81 |

Chapter 7 Application Programming 83

| | |
|---|----|
| Overview | 83 |
| Using the DMC-1000 Editor to Enter Programs | 83 |
| Edit Mode Commands..... | 84 |
| Program Format | 85 |
| Using Labels in Programs | 85 |
| Special Labels..... | 86 |
| Commenting Programs..... | 86 |
| Executing Programs - Multitasking | 87 |
| Debugging Programs | 88 |
| Program Flow Commands | 90 |
| Event Triggers & Trippoints | 90 |
| Event Trigger Examples:..... | 91 |

| | |
|---|-----|
| Conditional Jumps | 94 |
| Subroutines | 97 |
| Stack Manipulation | 97 |
| Automatic Subroutines for Monitoring Conditions | 97 |
| Mathematical and Functional Expressions | 100 |
| Mathematical Expressions | 100 |
| Bit-Wise Operators | 101 |
| Functions | 102 |
| Variables | 102 |
| Assigning Values to Variables: | 103 |
| Operands | 104 |
| Special Operands (Keywords) | 105 |
| Arrays | 105 |
| Defining Arrays | 105 |
| Assignment of Array Entries | 106 |
| Automatic Data Capture into Arrays | 107 |
| Deallocating Array Space | 108 |
| Input of Data (Numeric and String) | 109 |
| Input of Data | 109 |
| Output of Data (Numeric and String) | 110 |
| Sending Messages | 110 |
| Interrogation Commands | 111 |
| Formatting Variables and Array Elements | 113 |
| Converting to User Units | 114 |
| Programmable Hardware I/O | 114 |
| Digital Outputs | 114 |
| Digital Inputs | 115 |
| Input Interrupt Function | 116 |
| Analog Inputs | 117 |
| Example Applications | 118 |
| Wire Cutter | 118 |
| X-Y Table Controller | 119 |
| Speed Control by Joystick | 121 |
| Position Control by Joystick | 122 |
| Backlash Compensation by Sampled Dual-Loop | 122 |

Chapter 8 Hardware & Software Protection 125

| | |
|------------------------------------|-----|
| Introduction | 125 |
| Hardware Protection | 125 |
| Output Protection Lines | 125 |
| Input Protection Lines | 125 |
| Software Protection | 126 |
| Programmable Position Limits | 126 |
| Off-On-Error | 127 |
| Automatic Error Routine | 127 |
| Limit Switch Routine | 127 |

Chapter 9 Troubleshooting 129

| | |
|---------------------|-----|
| Overview | 129 |
| Installation | 129 |
| Communication | 130 |
| Stability | 130 |
| Operation | 130 |

| | |
|--|------------|
| Chapter 10 Theory of Operation | 131 |
| Overview | 131 |
| Operation of Closed-Loop Systems | 133 |
| System Modeling | 134 |
| Motor-Amplifier | 135 |
| Encoder..... | 137 |
| DAC | 138 |
| Digital Filter | 138 |
| ZOH..... | 138 |
| System Analysis..... | 139 |
| System Design and Compensation | 141 |
| The Analytical Method..... | 141 |

| | |
|---|------------|
| Appendices | 145 |
| Electrical Specifications | 145 |
| Servo Control | 145 |
| Stepper Control | 145 |
| Input/Output | 145 |
| Power..... | 145 |
| Performance Specifications | 146 |
| Connectors for DMC-1000 Main Board..... | 146 |
| J2 - Main (60 pin IDC)..... | 146 |
| J5 - General I/O (26 pin IDC) | 147 |
| J3 - Aux Encoder (20 pin IDC) | 148 |
| J4 - Driver (20 pin IDC)..... | 148 |
| J6 - Daughter Board Connector (60 pin) | 148 |
| J7 - 10 pin..... | 148 |
| Connectors for Auxiliary Board (Axes E,F,G,H) | 148 |
| JD2 - Main (60 pin IDC) | 148 |
| JD5 - I/O (26 pin IDC) | 149 |
| JD3 - 20 pin IDC - Auxiliary Encoders..... | 150 |
| JD4 - 20 pin IDC - Amplifiers..... | 150 |
| JD6 - Daughterboard Connector (60 pin)..... | 150 |
| Pin-Out Description for DMC-1000..... | 151 |
| Jumper Description for DMC-1000..... | 153 |
| Dip Switch Settings | 153 |
| Offset Adjustments for DMC-1000..... | 153 |
| Accessories and Options..... | 154 |
| Dip Switch Address Settings | 155 |
| PC/AT Interrupts and Their Vectors..... | 158 |
| ICM-1100 Interconnect Module..... | 158 |
| AMP/ICM-1100 CONNECTIONS | 159 |
| J2 - Main (60 pin IDC)..... | 162 |
| J3 - Aux Encoder (20 pin IDC) | 162 |
| J4 - Driver (20 pin IDC)..... | 162 |
| J5 - General I/O (26 pin IDC) | 162 |
| Connectors are the same as described in section entitled “Connectors for DMC-1000 Main Board”. see pg. 146..... | 162 |
| JX6, JY6, JZ6, JW6 - Encoder Input (10 pin IDC)..... | 162 |
| ICM-1100 Drawing | 163 |
| AMP-11x0 Mating Power Amplifiers | 164 |
| DB-10072 OPTO-22 Expansion Option..... | 164 |
| Configuring the I/O for the DB-10072..... | 164 |

| | |
|---|-----|
| Connector Description of the DB-10072..... | 165 |
| DB-10096 I/O Expansion | 168 |
| Pinouts for DB-10096 Connectors..... | 169 |
| J1 Pinout | 169 |
| J2 Pinout | 170 |
| Coordinated Motion - Mathematical Analysis..... | 171 |
| DMC-600/DMC-1000 Comparison..... | 174 |
| DMC-600/DMC-1000 Command Comparison | 175 |
| DMC-600/DMC-1000 Pin-out Conversion Table..... | 178 |
| List of Other Publications | 180 |
| Contacting Us | 180 |
| WARRANTY | 181 |
| Using This Manual | ii |

Chapter 1 Overview 1

| | |
|---|---|
| Introduction..... | 1 |
| Overview of Motor Types..... | 1 |
| Standard Servo Motors with +/- 10 Volt Command Signal | 2 |
| Stepper Motor with Step and Direction Signals | 2 |
| DMC-1000 Functional Elements | 2 |
| Microcomputer Section | 3 |
| Motor Interface..... | 3 |
| Communication | 3 |
| General I/O | 3 |
| System Elements..... | 3 |
| Motor | 4 |
| Amplifier (Driver) | 4 |
| Encoder..... | 4 |
| Watch Dog Timer | 4 |

Chapter 2 Getting Started 5

| | |
|--|----|
| The DMC-1000 Motion Controller..... | 5 |
| Elements You Need | 6 |
| Installing the DMC-1000 | 7 |
| Step 1. Determine Overall Motor Configuration..... | 7 |
| Step 2. Configure Jumpers on the DMC-1000 | 7 |
| Step 3. Install the DMC-1000 in the Computer..... | 8 |
| Step 4. Install Communications Software | 9 |
| Step 5. Establish Communications with Galil Communication Software | 9 |
| Changing the I/O Address of the Controller..... | 10 |
| Step 6. Connect Amplifiers and Encoders..... | 11 |
| Step 7a. Connect Standard Servo Motors | 13 |
| Step 7b. Connect Step Motors | 16 |
| Step 8. Tune the Servo System..... | 17 |
| Design Examples | 18 |
| Example 1 - System Set-up | 18 |
| Example 2 - Profiled Move | 18 |
| Example 3 - Multiple Axes..... | 18 |
| Example 4 - Independent Moves | 19 |
| Example 5 - Position Interrogation..... | 19 |
| Example 6 - Absolute Position | 19 |
| Example 7 - Velocity Control..... | 20 |
| Example 8 - Operation Under Torque Limit | 20 |

| | |
|--|-----------|
| Example 9 - Interrogation..... | 20 |
| Example 10 - Operation in the Buffer Mode..... | 21 |
| Example 11 - Motion Programs | 21 |
| Example 12 - Motion Programs with Loops | 21 |
| Example 13 - Motion Programs with Trippoints..... | 22 |
| Example 14 - Control Variables | 22 |
| Example 15 - Linear Interpolation | 23 |
| Example 16 - Circular Interpolation..... | 23 |
| Chapter 3 Connecting Hardware | 25 |
| Overview | 25 |
| Using Optoisolated Inputs | 25 |
| Limit Switch Input..... | 25 |
| Home Switch Input..... | 26 |
| Abort Input..... | 26 |
| Uncommitted Digital Inputs | 27 |
| Wiring the Optoisolated Inputs..... | 27 |
| Using an Isolated Power Supply | 28 |
| Bypassing the Opto-Isolation: | 29 |
| Changing Optoisolated Inputs From Active Low to Active High..... | 30 |
| Amplifier Interface | 30 |
| TTL Inputs..... | 31 |
| Analog Inputs | 31 |
| TTL Outputs | 32 |
| Offset Adjustment..... | 32 |
| Chapter 4 Communication | 33 |
| Introduction | 33 |
| Address Selection | 33 |
| Example - Address Selection..... | 33 |
| Communication with the Controller | 34 |
| Communication Registers | 34 |
| Simplified Communication Procedure | 34 |
| Advanced Communication Techniques..... | 35 |
| Interrupts..... | 36 |
| Configuring Interrupts..... | 36 |
| Servicing Interrupts | 38 |
| Example - Interrupts..... | 38 |
| Controller Response to DATA | 39 |
| Galil Software Tools and Libraries..... | 39 |
| Chapter 5 Command Basics | 41 |
| Introduction | 41 |
| Command Syntax..... | 41 |
| Coordinated Motion with more than 1 axis | 42 |
| Program Syntax | 42 |
| Controller Response to DATA | 42 |
| Interrogating the Controller | 43 |
| Interrogation Commands | 43 |
| Additional Interrogation Methods..... | 43 |
| Operands..... | 44 |
| Command Summary | 44 |

| | |
|--|-----------|
| Chapter 6 Programming Motion | 45 |
| Overview..... | 45 |
| Independent Axis Positioning..... | 45 |
| Command Summary - Independent Axis | 46 |
| Operand Summary - Independent Axis | 46 |
| Independent Jogging..... | 47 |
| Command Summary - Jogging | 48 |
| Operand Summary - Independent Axis | 48 |
| Linear Interpolation Mode..... | 49 |
| Specifying Linear Segments..... | 49 |
| Specifying Vector Acceleration, Deceleration and Speed:..... | 50 |
| Additional Commands..... | 50 |
| Command Summary - Linear Interpolation..... | 51 |
| Operand Summary - Linear Interpolation..... | 51 |
| Vector Mode: Linear and Circular Interpolation Motion..... | 54 |
| Specifying Vector Segments | 54 |
| Specifying Vector Acceleration, Deceleration and Speed:..... | 55 |
| Additional Commands..... | 55 |
| Command Summary - Vector Mode Motion..... | 57 |
| Operand Summary - Vector Mode Motion..... | 57 |
| Electronic Gearing | 58 |
| Command Summary - Electronic Gearing..... | 59 |
| Operand Summary - Electronic Gearing | 59 |
| Electronic Cam | 61 |
| Contour Mode..... | 66 |
| Specifying Contour Segments | 66 |
| Additional Commands..... | 67 |
| Command Summary - Contour Mode | 68 |
| Operand Summary - Contour Mode | 68 |
| Stepper Motor Operation | 71 |
| Specifying Stepper Motor Operation..... | 71 |
| Using an Encoder with Stepper Motors..... | 72 |
| Command Summary - Stepper Motor Operation..... | 73 |
| Operand Summary - Stepper Motor Operation | 73 |
| Dual Loop (Auxiliary Encoder)..... | 73 |
| Backlash Compensation | 74 |
| Command Summary - Using the Auxiliary Encoder..... | 75 |
| Operand Summary - Using the Auxiliary Encoder..... | 76 |
| Motion Smoothing | 76 |
| Using the IT and VT Commands (S curve profiling):..... | 76 |
| Using the KS Command (Step Motor Smoothing):..... | 77 |
| Homing | 78 |
| High Speed Position Capture (Latch) | 81 |

| | |
|--|-----------|
| Chapter 7 Application Programming | 83 |
| Overview..... | 83 |
| Using the DMC-1000 Editor to Enter Programs..... | 83 |
| Edit Mode Commands | 84 |
| Program Format | 85 |
| Using Labels in Programs | 85 |
| Special Labels..... | 86 |
| Commenting Programs | 86 |
| Executing Programs - Multitasking | 87 |

| | |
|---|-----|
| Debugging Programs | 88 |
| Program Flow Commands | 90 |
| Event Triggers & Trippoints | 90 |
| Event Trigger Examples: | 91 |
| Conditional Jumps | 94 |
| Subroutines | 97 |
| Stack Manipulation | 97 |
| Automatic Subroutines for Monitoring Conditions | 97 |
| Mathematical and Functional Expressions | 100 |
| Mathematical Expressions | 100 |
| Bit-Wise Operators | 101 |
| Functions | 102 |
| Variables | 102 |
| Assigning Values to Variables: | 103 |
| Operands | 104 |
| Special Operands (Keywords) | 105 |
| Arrays | 105 |
| Defining Arrays | 105 |
| Assignment of Array Entries | 106 |
| Automatic Data Capture into Arrays | 107 |
| Deallocating Array Space | 108 |
| Input of Data (Numeric and String) | 109 |
| Input of Data | 109 |
| Output of Data (Numeric and String) | 110 |
| Sending Messages | 110 |
| Interrogation Commands | 111 |
| Formatting Variables and Array Elements | 113 |
| Converting to User Units | 114 |
| Programmable Hardware I/O | 114 |
| Digital Outputs | 114 |
| Digital Inputs | 115 |
| Input Interrupt Function | 116 |
| Analog Inputs | 117 |
| Example Applications | 118 |
| Wire Cutter | 118 |
| X-Y Table Controller | 119 |
| Speed Control by Joystick | 121 |
| Position Control by Joystick | 122 |
| Backlash Compensation by Sampled Dual-Loop | 122 |

Chapter 8 Hardware & Software Protection 125

| | |
|------------------------------------|-----|
| Introduction | 125 |
| Hardware Protection | 125 |
| Output Protection Lines | 125 |
| Input Protection Lines | 125 |
| Software Protection | 126 |
| Programmable Position Limits | 126 |
| Off-On-Error | 126 |
| Automatic Error Routine | 127 |
| Limit Switch Routine | 127 |

Chapter 9 Troubleshooting 129

| | |
|----------------|-----|
| Overview | 129 |
|----------------|-----|

| | |
|--------------------|-----|
| Installation | 129 |
| Communication..... | 130 |
| Stability..... | 130 |
| Operation | 130 |

Chapter 10 Theory of Operation 131

| | |
|--|-----|
| Overview..... | 131 |
| Operation of Closed-Loop Systems | 133 |
| System Modeling | 134 |
| Motor-Amplifier | 135 |
| Encoder..... | 137 |
| DAC..... | 138 |
| Digital Filter | 138 |
| ZOH..... | 138 |
| System Analysis..... | 139 |
| System Design and Compensation..... | 141 |
| The Analytical Method..... | 141 |

Appendices 145

| | |
|---|-----|
| Electrical Specifications..... | 145 |
| Servo Control | 145 |
| Stepper Control..... | 145 |
| Input/Output | 145 |
| Power..... | 145 |
| Performance Specifications | 145 |
| Connectors for DMC-1000 Main Board..... | 146 |
| J2 - Main (60 pin IDC) | 146 |
| J5 - General I/O (26 pin IDC)..... | 147 |
| J3 - Aux Encoder (20 pin IDC) | 147 |
| J4 - Driver (20 pin IDC) | 148 |
| J6 - Daughter Board Connector (60 pin) | 148 |
| J7 - 10 pin | 148 |
| Connectors for Auxiliary Board (Axes E,F,G,H) | 148 |
| JD2 - Main (60 pin IDC) | 148 |
| JD5 - I/O (26 pin IDC) | 149 |
| JD3 - 20 pin IDC - Auxiliary Encoders | 150 |
| JD4 - 20 pin IDC - Amplifiers..... | 150 |
| JD6 - Daughterboard Connector (60 pin)..... | 150 |
| Pin-Out Description for DMC-1000 | 150 |
| Jumper Description for DMC-1000..... | 153 |
| Dip Switch Settings | 153 |
| Offset Adjustments for DMC-1000 | 153 |
| Accessories and Options..... | 154 |
| Dip Switch Address Settings | 155 |
| PC/AT Interrupts and Their Vectors..... | 158 |
| ICM-1100 Interconnect Module | 158 |
| AMP/ICM-1100 CONNECTIONS..... | 159 |
| J2 - Main (60 pin IDC) | 161 |
| J3 - Aux Encoder (20 pin IDC) | 161 |
| J4 - Driver (20 pin IDC) | 161 |
| J5 - General I/O (26 pin IDC)..... | 161 |
| Connectors are the same as described in section entitled “Connectors for DMC-1000 Main Board”. see pg. 146..... | 162 |

| | |
|--|-----|
| JX6, JY6, JZ6, JW6 - Encoder Input (10 pin IDC)..... | 162 |
| ICM-1100 Drawing | 162 |
| AMP-11x0 Mating Power Amplifiers | 163 |
| DB-10072 OPTO-22 Expansion Option..... | 163 |
| Configuring the I/O for the DB-10072..... | 163 |
| Connector Description of the DB-10072..... | 164 |
| DB-10096 I/O Expansion | 167 |
| Pinouts for DB-10096 Connectors | 168 |
| J1 Pinout..... | 168 |
| J2 Pinout..... | 169 |
| Coordinated Motion - Mathematical Analysis..... | 170 |
| DMC-600/DMC-1000 Comparison..... | 173 |
| DMC-600/DMC-1000 Command Comparison | 174 |
| DMC-600/DMC-1000 Pin-out Conversion Table..... | 177 |
| List of Other Publications | 179 |
| Contacting Us | 179 |
| WARRANTY | 180 |

Index

Chapter 1 Overview

Introduction

The DMC-1000 series motion controller is a state-of-the-art motion controller that plugs into the PC Bus. Performance capability of the DMC-1000 series controllers includes: 8 MHz encoder input frequency, 16-bit motor command output DAC, +/-2 billion counts total travel per move, sample rate at up to 125 usec/axis, bus interrupts and non-volatile memory for parameter storage. These controllers provide high performance and flexibility while maintaining ease of use and low cost.

Designed for maximum system flexibility, the DMC-1000 is available for one, two, three or four axes configuration per card. An add-on card is available for control of five, six, seven or eight axes. The DMC-1000 can be interfaced to a variety of motors and drives including step motors, servo motors and hydraulic systems.

Each axis accepts feedback from a quadrature linear or rotary encoder with input frequencies up to 8 million quadrature counts per second. For dual-loop applications in which an encoder is required on both the motor and the load, auxiliary encoder inputs are included for each axis.

The DMC-1000 provides many modes of motion, including jogging, point-to-point positioning, linear and circular interpolation, electronic gearing and user-defined path following. Several motion parameters can be specified including acceleration and deceleration rates and slew speed. The DMC-1000 also provides S-curve acceleration for motion smoothing.

For synchronizing motion with external events, the DMC-1000 includes 8 optoisolated inputs, 8 programmable outputs and 7 analog inputs. An add-on daughter with additional inputs and outputs or for interfacing to OPTO 22 racks. Event triggers can automatically check for elapsed time, distance and motion complete.

Despite its full range of sophisticated features, the DMC-1000 is easy to program. Instructions are represented by two letter commands such as BG to begin motion and SP to set motion speed. Conditional Instructions, Jump Statements, and Arithmetic Functions are included for writing self-contained applications programs. An internal editor allows programs to be quickly entered and edited, and support software such as the Servo Design Kit allows quick system set-up and tuning.

The DMC-1000 provides several error handling features. These include software and hardware limits, automatic shut-off on excessive error, abort input, and user-definable error and limit routines.

Overview of Motor Types

The DMC-1000 can provide the following types of motor control:

1. Standard servo motors with +/- 10 volt command signals

2. Step motors with step and direction signals
3. Other actuators such as hydraulics - For more information, contact Galil.

The user can configure each axis for any combination of motor types, providing maximum flexibility.

Standard Servo Motors with +/- 10 Volt Command Signal

The DMC-1000 achieves superior precision through use of a 16-bit motor command output DAC and a sophisticated PID filter that features velocity and acceleration feedforward, an extra pole filter and integration limits.

The controller is configured by the factory for standard servo motor operation. In this configuration, the controller provides an analog signal (+/- 10Volt) to connect to a servo amplifier. This connection is described in Chapter 2.

Stepper Motor with Step and Direction Signals

The DMC-1000 can control stepper motors. In this mode, the controller provides two signals to connect to the stepper motor: Step and Direction. For stepper motor operation, the controller does not require an encoder and operates the stepper motor in an open loop fashion. Chapter 2 describes the proper connection and procedure for using stepper motors.

DMC-1000 Functional Elements

The DMC-1000 circuitry can be divided into the following functional groups as shown in Figure 1.1 and discussed in the following.

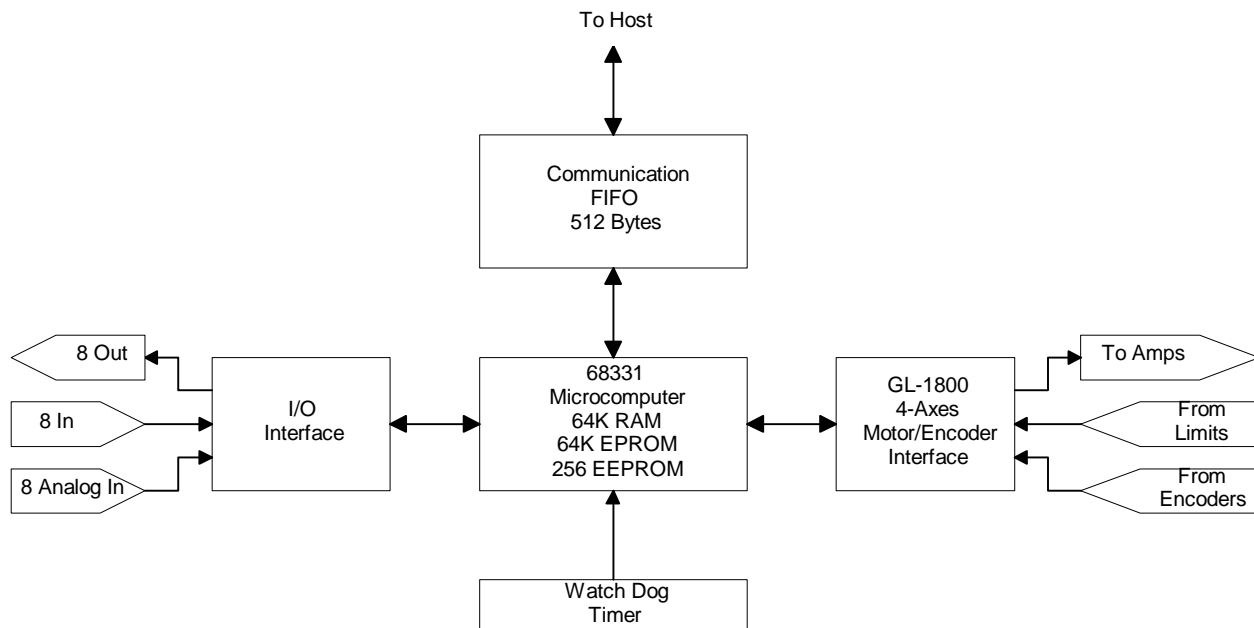


Figure 1.1 - DMC-1000 Functional Elements

Microcomputer Section

The main processing unit of the DMC-1000 is a specialized 32-bit Motorola 68331 Series Microcomputer with 64K RAM (256K available as an option), 64K EPROM and 256 bytes EEPROM. The RAM provides memory for variables, array elements and application programs. The EPROM stores the firmware of the DMC-1000. The EEPROM allows certain parameters to be saved in non-volatile memory upon power down.

Motor Interface

For each axis, a GL-1800 custom, sub-micron gate array performs quadrature decoding of the encoders at up to 8 MHz, generates a +/-10 Volt analog signal (16 Bit D-to-A) for input to a servo amplifier, and generates step and direction signal for step motor drivers.

Communication

The communication interface with the host PC over the ISA bus, uses a bi-directional FIFO (AM470) and includes PC interrupt handling circuitry.

General I/O

The DMC-1000 provides interface circuitry for eight optoisolated inputs, eight general outputs and seven analog inputs (12-Bit ADC). Controllers with 1 to 4 axes can add additional I/O with an auxiliary board, the DB-10096 or DB-10072. The DB-10096 provides 96 additional I/O. The DB-10072 provides interface to up to three OPTO 22 racks with 24 I/O modules each.

1080

Controllers with 5 or more axes provide 24 inputs and 16 outputs.

System Elements

As shown in Fig. 1.2, the DMC-1000 is part of a motion control system which includes amplifiers, motors and encoders. These elements are described below.

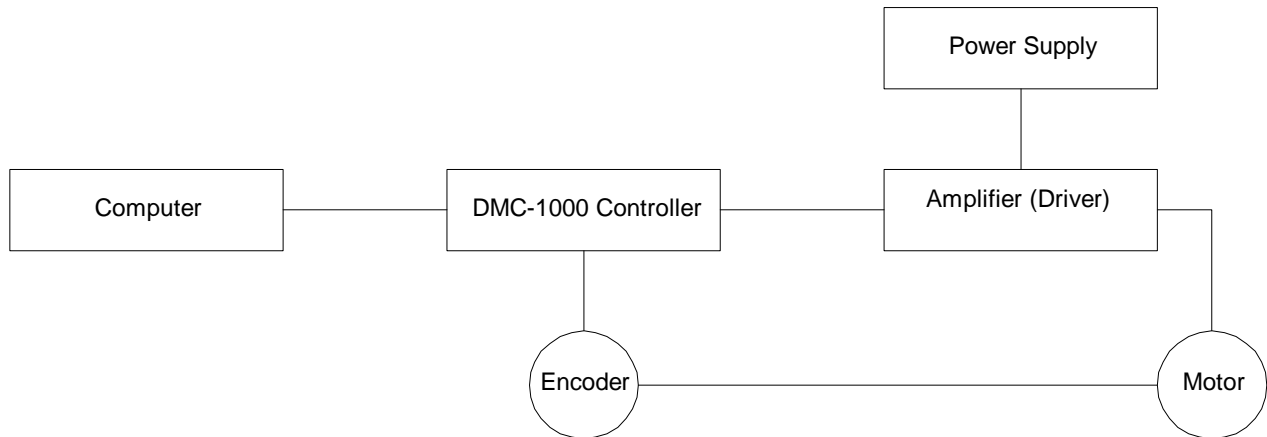


Figure 1.2 - Elements of Servo systems

Motor

A motor converts current into torque which produces motion. Each axis of motion requires a motor sized properly to move the load at the desired speed and acceleration. Galil's Motion Component Selector software can help you calculate motor size and drive size requirements. Contact Galil at 800-377-6329 if you would like this product.

The motor may be a step or servo motor and can be brush-type or brushless, rotary or linear. For step motors, the controller can control full-step, half-step, or microstep drives.

Amplifier (Driver)

For each axis, the power amplifier converts a +/-10 Volt signal from the controller into current to drive the motor. The amplifier should be sized properly to meet the power requirements of the motor. For brushless motors, an amplifier that provides electronic commutation is required. The amplifiers may be either pulse-width-modulated (PWM) or linear. They may also be configured for operation with or without a tachometer. For current amplifiers, the amplifier gain should be set such that a 10 Volt command generates the maximum required current. For example, if the motor peak current is 10A, the amplifier gain should be 1 A/V. For velocity mode amplifiers, 10 Volts should run the motor at the maximum speed.



For stepper motors, the amplifier converts step and direction signals into current.

Encoder

An encoder translates motion into electrical pulses which are fed back into the controller. The DMC-1000 accepts feedback from either a rotary or linear encoder. Typical encoders provide two channels in quadrature, known as CHA and CHB. This type of encoder is known as a quadrature encoder. Quadrature encoders may be either single-ended (CHA and CHB) or differential (CHA,CHA-,CHB,CHB-). The DMC-1000 decodes either type into quadrature states or four times the number of cycles. Encoders may also have a third channel (or index) for synchronization.

The DMC-1000 can also interface to encoders with pulse and direction signals.

There is no limit on encoder line density, however, the input frequency to the controller must not exceed 2,000,000 full encoder cycles/second or 8,000,000 quadrature counts/sec. For example, if the encoder line density is 10,000 cycles per inch, the maximum speed is 200 inches/second.

The standard voltage level is TTL (zero to five volts), however, voltage levels up to 12 Volts are acceptable. If using differential signals, 12 Volts can be input directly to the DMC-1000. Single-ended 12 Volt signals require a bias voltage input to the complementary inputs.

To interface with other types of position sensors such as resolvers or absolute encoders, Galil can customize the DB-10096 daughter board and DMC-1000 command set. Please contact Galil to talk to one of our applications engineers about your particular system requirements.

Watch Dog Timer

The DMC-1000 provides an internal watch dog timer which checks for proper microprocessor operation. The timer toggles the Amplifier Enable Output (AEN) which can be used to switch the amplifiers off in the event of a serious DMC-1000 failure. The AEN output is normally high. During power-up and if the microprocessor ceases to function properly, the AEN output will go low. The error light for each axis will also turn on at this stage. A reset is required to restore the DMC-1000 to normal operation. Consult the factory for a Return Materials Authorization (RMA) Number if your DMC-1000 is damaged.

Chapter 2 Getting Started

The DMC-1000 Motion Controller

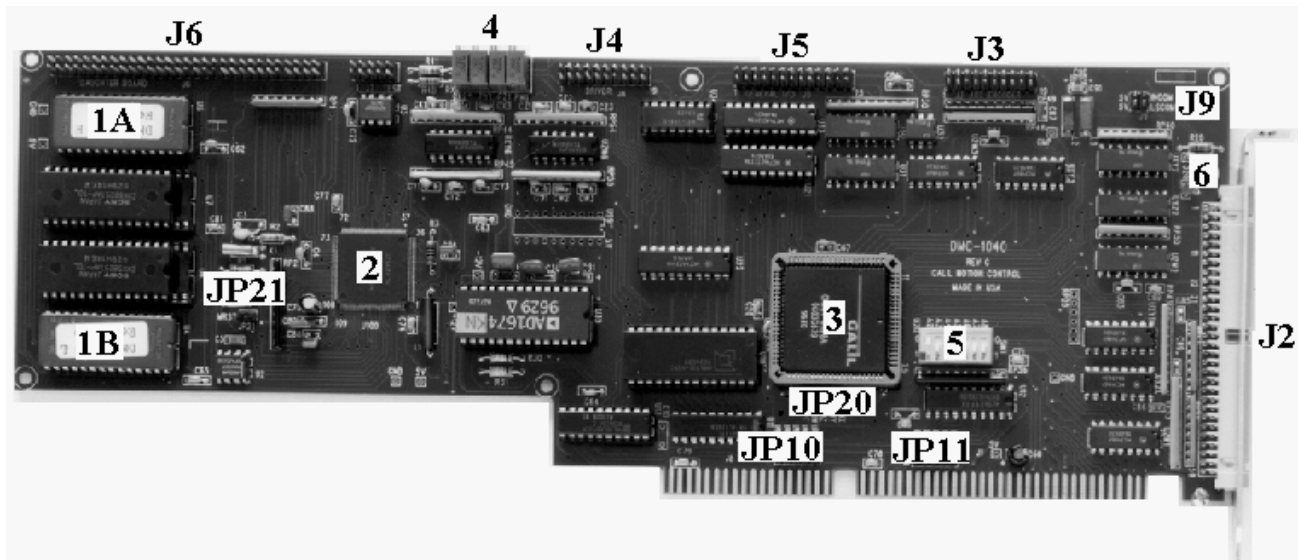


Figure 2-1 - DMC-1000

| | | | |
|-------|--|----|--|
| 1A/1B | DMC-1000 ROM. These are labeled with the firmware revision that you have received. For example, a label may be affixed to the ROM that specifies the firmware revision such as '2.0c'. | J2 | 60-pin header connector for the main output cable of the DMC-1000 |
| 2 | Motorola 68331 Microprocessor | J3 | 20-pin header connector for the auxiliary encoder cable of the DMC-1000. |
| 3 | GL-1800 Custom sub-micron gate array | J4 | 20-pin header connector for the stepper amplifier output cable of the DMC-1000. |
| 4 | Calibration potentiometers to provide a zero bias voltage to the amplifier for proper operation. | J5 | 26-pin header connector for the general I/O cable of the DMC-1000. |
| 5 | Address DIP switches | J6 | 60-pin daughter board header connector for the cable leading to the DMC-1050-1080, DB-10072 and DB-10096 I/O expansion boards. |

| | | | |
|------|--|------|---|
| 6 | Error LED | J9 | INCOM,LSCOM jumper set. These jumpers are used when connecting limit, home, and abort switches and the digital inputs, IN1 - IN8. |
| JP10 | Jumpers for setting the interrupt line | JP11 | Jumpers for setting the interrupt line |
| JP20 | Jumpers for putting card into stepper mode | JP21 | Master Reset Jumper |

Elements You Need

Before you start, you will need the following system elements:

1. DMC-1000 Motion Controller and included 60-pin ribbon cable. Also included is a 26-pin ribbon cable for general I/O.
 - 1a. For stepper motor operation, you will need an additional 20-pin ribbon cable for J4.
2. Servo motors with Optical Encoder (one per axis) or step motors
3. Power Amplifiers
4. Power Supply for Amplifiers
5. PC (Personal Computer - ISA bus)
6. Communication Disk (COMMdisk) from Galil (Optional - but strongly recommended for first time users)

WSDK-16 Servo Design Software for Windows 3.1, and 3.11 for Workgroups

-OR -

WSDK-32 for Windows 95 or NT

(Optional, but strongly recommended for first time users).
7. An Interface Module (Optional, but strongly recommended). The Galil ICM-1100 is an interconnect module with screw type terminals that directly interfaces to the DMC-1000 controller. Note: An additional ICM-1100 is required for the DMC-1050 through DMC-1080.

The motors may be servo (brush type or brushless) or steppers. The amplifiers should be suitable for the motor and may be linear or pulse-width-modulated. An amplifier may have current feedback or voltage feedback.



For servo motors, the amplifiers should accept an analog signal in the +/-10 Volt range as a command. The amplifier gain should be set so that a +10V command will generate the maximum required current. For example, if the motor peak current is 10A, the amplifier gain should be 1 A/V. For velocity mode amplifiers, a command signal of 10 Volts should run the motor at the maximum required speed.



For step motors, the amplifiers should accept step and direction signals. For start-up of a step motor system refer to "Connecting Step Motors" on page 16.

The WSDK software is highly recommended for first time users of the DMC-1000. It provides step-by-step instructions for system connection, tuning and analysis.

Installing the DMC-1000

Installation of a complete, operational DMC-1000 system consists of 9 steps.

- Step 1.** Determine overall motor configuration.
- Step 2.** Configure jumpers on the DMC-1000.
- Step 3.** Install the DMC-1000 into the computer..
- Step 4.** Install communications software.
- Step 5.** Establish communications with Galil Software.
- Step 6.** Connect amplifiers and Encoders.
- Step 7a.** Connect standard servo motors.
- Step 7b.** Connect step motors.
- Step 8.** Tune the servo system

Step 1. Determine Overall Motor Configuration

Before setting up the motion control system, the user must determine the desired motor configuration. The DMC-1000 can control any combination of standard servo motors, and stepper motors. Other types of actuators, such as hydraulics can also be controlled, please consult Galil.

The following configuration information is necessary to determine the proper motor configuration:

Standard Servo Motor Operation:

The DMC-1000 has been setup by the factory for standard servo motor operation providing an analog command signal of +/- 10V. No hardware or software configuration is required for standard servo motor operation.

Stepper Motor Operation:

To configure the DMC-1000 for stepper motor operation, the controller requires a jumper for each stepper motor and the command, MT, must be given. The installation of the stepper motor jumper is discussed in the following section entitled "Installing Jumpers on the DMC-1000". Further instruction for stepper motor connections are discussed in Step 7b.

Step 2. Configure Jumpers on the DMC-1000

The DMC-1000 has jumpers inside the controller box which may need to be installed. To access these jumpers, the cover of the controller box must be removed. The following describes each of the jumpers.

WARNING: Never open the controller box when AC power is applied to it.



For each axis that will be driving a stepper motor, a stepper mode (SM) jumper must be connected.

If you using a controller with more than 4 axis, you will have two pc-cards inside the controller box. In this case, you will have 2 sets of stepper motor jumpers, one on each card. The jumpers on the bottom card will be for axes X,Y,Z and W (or A,B,C, and D) and the top will be E,F,G and H. To access the bottom card, the top card must be carefully removed.

The stepper mode jumpers are located next to the GL-1800 which is the largest IC on the board. The jumper set is labeled JP40 and the individual stepper mode jumpers are labeled SMX, SMY, SMZ, SMW. The fifth jumper of the set, OPT, is for use by Galil technicians only.

The jumper set, J41, can be used to connect the controllers internal power supply to the optoisolation inputs. This may be desirable if your system will be using limit switches, home inputs digital inputs, or hardware abort **and** optoisolation is not necessary for your system. For a further explanation, see section *Bypassing the Opto-Isolation* in Chapter 3.

Step 3. Install the DMC-1000 in the Computer.

The DMC-1000 is installed directly into the ISA expansion bus. The procedure is outlined below.

Step A. Make sure the PC is in the power-off condition and unplug power cord from PC.

Step B. Remove unit cover.

Step C. Remove the metal plate covering the expansion bus slot where the DMC-1000 will be inserted. DMC-1050 through DMC-1080 require two expansion bus slots.

Step D. Insert DMC-1000 card in the expansion bus and secure with screw.

Step E. Attach the ribbon cables to your controller card. Insert the 60-pin ribbon cable into the J2 IDC connector. If you are using a Galil ICM-1100 or AMP-11X0, this cable connects into the J2 connection on the interconnect module. If you are not using a Galil interconnect module, you will need to appropriately terminate the cable to your system components, see the appendix for cable pin outs. Uncommitted I/O and analog inputs are accessed through the 26-pin IDC connector, J5. The auxiliary encoder connections are accessed through the 20-pin IDC connector, J3. To use the I/O or the auxiliary encoder features, you must connect ribbon cables to J5 or J3, respectively. The locations of the connectors, J2, J3, J4, J5, and J6 are shown on the photo of the DMC-1000 on pg. 2- 5



For step motors, the 20-pin ribbon cable, J4 (Driver) must be also be connected.

If you using a controller with more than 4 axis, you will have two pc-cards which are connected together via a 50-pin ribbon cable, J6. In this case, you will have 2 sets of cables to connect, the first set will be used for the first four axis and the second set will be used for the remaining axis.

Step F. Re-secure system unit cover and tighten screws, making sure all ribbon cable ends that are not terminated lie outside the casing of the PC.

Step G. Turn Power on to PC.

Step 4. Install Communications Software

After you have installed the DMC-1000 controller and turned the power on to your computer, you should install software that enables communication between the controller and PC. There are several ways to do this. The easiest way is to use the communication disks available from Galil (COMMDISK VOL1 FOR DOS AND VOL2 FOR WINDOWS).

Using the COMMDisk Vol1 for Dos:

To use this disk, insert the COMMDISK VOL 1 in drive A. Type INSTALL and follow the directions.

Using the COMMDisk Vol2 for Windows (16 bit and 32 bit versions):

For Windows3.x, run the installation program, setup16.exe. For Windows 95 or Windows NT, run the installation program, setup32.exe.

Step 5. Establish Communications with Galil Communication Software

Dos Users:

To communicate with the DMC-1000, type TALK2BUS at the prompt. Once you have established communication, the terminal display should show a colon, :. If you do not receive a colon, press the carriage return. If a colon prompt is not returned, there is most likely an I/O address conflict in your computer, see section on *Changing the I/O Address of the Controller*. The user must ensure that there are no conflicts between the DMC-1000 and other system elements in the host computer.

Windows Users:

In order for the windows software to communicate with a Galil controller, the controller must be registered in the Galil Registry. The Galil Registry is simply a list of controllers. Registration consists of telling the software the model of the controller, the address of the controller, and other information. To do this, run the program DMCREG16 for Windows 3.x or DMCREG32 for Windows 95 and NT. The DMCREG window will appear. Select Registry from the menu.

Note: If you are using DMCREG for the first time, no controllers will exist in the Galil Register. This is normal.

The registry window is equipped with buttons to **Add**, **Change**, or **Delete** a controller. Pressing any of these buttons will bring up the Set Registry Information window. (It should be noted that if you wish to change information on any existing controller, it should be selected before clicking **Change**, even if it is the only controller listed in the Registry.)

Use the **Add** button to add a new entry to the Registry. You will need to supply the Galil Controller type. For any address changes to take effect, a model number must be entered. If you are changing an existing controller, this field will already have an entry. If you are adding a controller, it will not. Pressing the down arrow to the right of this field will reveal a menu of valid controller types. *You should choose DMC-1000.* Note that the default I/O address of 1000 appears. This does not need to be changed unless the address on the controller was changed. You will also need to supply an interrupt if you want to use the interrupt capabilities of the controller. The registry entry also displays timeout and delay information. These are advanced parameters which should only be modified by advanced users (see software documentation for more information).

Once you have set the appropriate Registry information for your controller, exit from the DMCREG program. You will now be able to run communication software.

If you are using Windows 3.x, run the program DTERM16.EXE and if you are using Windows 95 or Windows NT, run the program DTERM32.EXE. From the file menu, select Startup. You will now see the registry information. Select the entry for your controller. Note: If you have only one entry, you still must select this controller for the software to establish communications. Once the entry has been selected, click on the **OK** button. If the software has successfully established communications with the controller, the registry entry will be displayed at the top of the screen.

If you are not properly communicating with the controller, the program will pause for 3-15 seconds. The top of the screen will display the message "Status: not connected with Galil motion controller" and the following error will appear: "STOP - Unable to establish communication with the Galil controller. A time-out occurred while waiting for a response from the Galil controller." If this message appears, you must click OK. There is most likely an I/O address conflict in your computer or the registry information does not reflect the address of the motion controller card. See section on *Changing the I/O Address of the Controller*. The user must ensure that there are no conflicts between the DMC-1000 and other system elements in the host computer. If you change the address of the DMC-1000, you must repeat the steps for changing the address of your controller in the Galil Registry.

Once you establish communications, click on the menu for terminal and you will receive a colon prompt. Communicating with the controller is described in later sections.

Changing the I/O Address of the Controller

The default address (both on the Address DIP Switches and in any software package from Galil) of the DMC-1000 is 1000. If there is trouble establishing communication, changing this address may be necessary. If the address 1000 is not available, Galil recommends using the address 816, as it is likely to be available. Changing the I/O address at which the DMC-1000 resides is a *two step process*. First, you must configure the address of the controller card physically using the Address DIP Switches located on the card (see "Your DMC-1000" to locate these.) Then, you must configure your communications software to talk to the address that you have selected.

1080

A DMC-1000 controller with more than 4 axes requires 2 PC slots. Only the main DMC-1040 slot needs to be addressed.

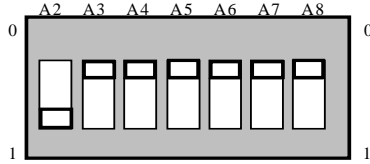
Step A. Configuring the Address DIP Switches:

The DMC-1000 address, N, is selectable by setting the Address DIP Switches A2,A3,A4,A5,A6,A7, and A8 where each switch represents a digit of the binary number that is equivalent to N minus 512. Switch A2 represents the 2² digit (the 3rd binary digit from the right), switch A3 represents the 2³ digit (the 4th binary digit from the right), and so on up to the most significant digit which is represented by switch A8. The 2 least significant (rightmost) digits *are not represented*. A switch in the ON position means the value of the digit represented by that switch is 0; if the switch is in the OFF position, the digit is 1.

Because the least significant digit represented by the Address DIP Switches is the 2² digit (switch A2), only addresses divisible by 4 are configurable on the DMC-1000. The DMC-1000 can be configured for any 4th address between 512 and 1024. To configure an address you must do the following:

1. Select an address, N, between 512 and 1024, divisible by 4. Example: 516.
2. Subtract 512 from N. Example: 516 - 512 = 4.
3. Convert the resultant number into a 9-digit binary number being sure to represent all leading zeros. Using our example: Converting 4 to binary results in 100. As a 9-digit binary number, this is represented by 000000100.
4. Truncate the 2 least significant (rightmost) digits. Example: 0000001.

- Set the Address DIP Switches as described above. Note that the dip switch is marked with an 'On' marking. In this case, ON=0 and OFF=1. Example: See following illustration.



To simplify this task, we have included a complete list of DIP switch settings corresponding to all configurable addresses between 512 and 1024. This is in the table entitled “Dip Switch Address Settings” in Appendix A. In addition, two DOS programs which calculate the dip settings are provided on the COMMDISK VOL1: ADDR CALC.EXE, and PIN_CALC.EXE:

To use ADDR CALC, type ADDR CALC at the C:/COMMDISK> and enter a decimal address. The program will return the DIP switch setting (note that when the program refers to a switch as “jumped” it means the switch is set in the ON or 0 position, and when the program refers to a switch as “open” it means the switch is set in the OFF or 1 position). The PIN_CALC program prompts the user for individual switch settings and returns the corresponding decimal address.

Step B. Configuring Address for Communications Software

Once you have configured the Address DIP Switches on the DMC-1000, the controller software must be configured to communicate to this address. The procedure for address configuration depends on the communication software being used. Galil has 4 software packages that can communicate with Galil Motion Controllers; COMMDISK, SDK-1000 (DOS-based Servo Design Kit for the DMC-1000), WSDK16 (Windows 3.x 16-bit version of the Servo Design Kit, and WSDK32 (Windows 95 and NT 32-bit version of the Servo Design Kit).

Step 6. Connect Amplifiers and Encoders.

Once you have established communications between the software and the DMC-1000, you are ready to connect the rest of the motion control system. The motion control system typically consists of an ICM-1100 Interface Module, an amplifier for each axis of motion, and a motor to transform the current from the amplifier into torque for motion. Galil also offers the AMP-11X0 series Interface Modules which are ICM-1100's equipped with servo amplifiers for brush type DC motors.

If you are using an ICM-1100, connect the 100-pin ribbon cable to the DMC-1000 and to the connector located on the AMP-11X0 or ICM-1100 board. The ICM-1100 provides screw terminals for access to the connections described in the following discussion.

1080

Motion Controllers with more than 4 axes require a second ICM-1100 or AMP-11X0 and second 100-pin cable.

System connection procedures will depend on system components and motor types. Any combination of motor types can be used with the DMC-1000.

Here are the first steps for connecting a motion control system:

- Step A.** Connect the motor to the amplifier *with no connection to the controller*. Consult the amplifier documentation for instructions regarding proper connections. Connect and turn-on the amplifier power supply. If the amplifiers are operating properly, the motor should stand still even when the amplifiers are powered up.

Step B. Connect the amplifier enable signal.

Before making any connections from the amplifier to the controller, you need to verify that the ground level of the amplifier is either floating or at the same potential as earth.

WARNING: When the amplifier ground is not isolated from the power line or when it has a different potential than that of the computer ground, serious damage may result to the computer controller and amplifier.

If you are not sure about the potential of the ground levels, connect the two ground signals (amplifier ground and earth) by a 10 K Ω resistor and measure the voltage across the resistor. Only if the voltage is zero, connect the two ground signals directly.

The amplifier enable signal is used by the controller to disable the motor. It will disable the motor when the watchdog timer activates, the motor-off command, MO, is given, or the position error exceeds the error limit with the "Off-On-Error" function enabled (see the command OE for further information).

The standard configuration of the AEN signal is TTL active high. In other words, the AEN signal will be high when the controller expects the amplifier to be enabled. The polarity and the amplitude can be changed if you are using the ICM-1100 interface board. To change the polarity from active high (5 volts = enable, zero volts = disable) to active low (zero volts = enable, 5 volts = disable), replace the 7407 IC with a 7406. Note that many amplifiers designate the enable input as 'inhibit'.

To change the voltage level of the AEN signal, note the state of the resistor pack on the ICM-1100. When Pin 1 is on the 5V mark, the output voltage is 0-5V. To change to 12 volts, pull the resistor pack and rotate it so that Pin 1 is on the 12 volt side. If you remove the resistor pack, the output signal is an open collector, allowing the user to connect an external supply with voltages up to 24V.

On the ICM-1100, the amplifier enable signal is labeled AENX for the X axis. Connect this signal to the amplifier (figure 2.3) and issue the command, MO, to disable the motor amplifiers - often this is indicated by an LED on the amplifier.

Step C. Connect the encoders

For stepper motor operation, an encoder is optional.

For servo motor operation, if you have a preferred definition of the forward and reverse directions, make sure that the encoder wiring is consistent with that definition.

The DMC-1000 accepts single-ended or differential encoder feedback with or without an index pulse. If you are not using the AMP-11X0 or the ICM-1100 you will need to consult the appendix for the encoder pinouts for connection to the motion controller. The AMP-11X0 and the ICM-1100 can accept encoder feedback from a 10-pin ribbon cable or individual signal leads. For a 10-pin ribbon cable encoder, connect the cable to the protected header connector labeled X ENCODER (repeat for each axis necessary). For individual wires, simply match the leads from the encoder you are using to the encoder feedback inputs on the interconnect board. The signal leads are labeled XA+

(channel A), XB+ (channel B), and XI+. For differential encoders, the complement signals are labeled XA-, XB-, and XI-.

Note: When using pulse and direction encoders, the pulse signal is connected to XA+ and the direction signal is connected to XB+. The controller must be configured for pulse and direction with the command CE. See the command summary for further information on the command CE.

Step D. Verify proper encoder operation.

Start with the X encoder first. Once it is connected, turn the motor shaft and interrogate the position with the instruction TPX <return>. The controller response will vary as the motor is turned.

At this point, if TPX does not vary with encoder rotation, there are three possibilities:

1. The encoder connections are incorrect - check the wiring as necessary.
2. The encoder has failed - using an oscilloscope, observe the encoder signals. Verify that both channels A and B have a peak magnitude between 5 and 12 volts. Note that if only one encoder channel fails, the position reporting varies by one count only. If the encoder failed, replace the encoder. If you cannot observe the encoder signals, try a different encoder.
3. There is a hardware failure in the controller- connect the same encoder to a different axis. If the problem disappears, you probably have a hardware failure. Consult the factory for help.

Step 7a. Connect Standard Servo Motors

The following discussion applies to connecting the DMC-1000 controller to standard servo motor amplifiers:

The motor and the amplifier may be configured in the torque or the velocity mode. In the torque mode, the amplifier gain should be such that a 10 Volt signal generates the maximum required current. In the velocity mode, a command signal of 10 Volts should run the motor at the maximum required speed.

Step by step directions on servo system setup are also included on the WSDK (Windows Servo Design Kit) software offered by Galil. See section on WSDK for more details.

Step A. Check the Polarity of the Feedback Loop

It is assumed that the motor and amplifier are connected together and that the encoder is operating correctly (Step B). Before connecting the motor amplifiers to the controller, read the following discussion on setting Error Limits and Torque Limits. Note that this discussion only uses the X axis as an example..

Step B. Set the Error Limit as a Safety Precaution

Usually, there is uncertainty about the correct polarity of the feedback. The wrong polarity causes the motor to run away from the starting position. Using a terminal program, such as DMCTERM, the following parameters can be given to avoid system damage:

Input the commands:

ER 2000 <CR> Sets error limit on the X axis to be 2000 encoder counts

OE 1 <CR> Disables X axis amplifier when excess position error exists

If the motor runs away and creates a position error of 2000 counts, the motor amplifier will be disabled. **Note:** This function requires the AEN signal to be connected from the controller to the amplifier.

Step C. Set Torque Limit as a Safety Precaution

To limit the maximum voltage signal to your amplifier, the DMC-1000 controller has a torque limit command, TL. This command sets the maximum voltage output of the controller and can be used to avoid excessive torque or speed when initially setting up a servo system.

When operating an amplifier in torque mode, the voltage output of the controller will be directly related to the torque output of the motor. The user is responsible for determining this relationship using the documentation of the motor and amplifier. The torque limit can be set to a value that will limit the motors output torque.

When operating an amplifier in velocity or voltage mode, the voltage output of the controller will be directly related to the velocity of the motor. The user is responsible for determining this relationship using the documentation of the motor and amplifier. The torque limit can be set to a value that will limit the speed of the motor.

For example, the following command will limit the output of the controller to 1 volt on the X axis:

```
TL 1 <CR>
```

Note: Once the correct polarity of the feedback loop has been determined, the torque limit should, in general, be increased to the default value of 9.99. The servo will not operate properly if the torque limit is below the normal operating range. See description of TL in the command reference.

Step D. Connect the Motor

Once the parameters have been set, connect the analog motor command signal (ACMD) to the amplifier input.

To test the polarity of the feedback, command a move with the instruction:

```
PR 1000 <CR>      Position relative 1000 counts
```

```
BGX <CR>  Begin motion on X axis
```

When the polarity of the feedback is wrong, the motor will attempt to run away. The controller should disable the motor when the position error exceeds 2000 counts. If the motor runs away, the polarity of the loop must be inverted.

Note: Inverting the Loop Polarity

When the polarity of the feedback is incorrect, the user must invert the loop polarity and this may be accomplished by several methods. If you are driving a brush-type DC motor, the simplest way is to invert the two motor wires (typically red and black). For example, switch the M1 and M2 connections going from your amplifier to the motor. When driving a brushless motor, the polarity reversal may be done with the encoder. If you are using a single-ended encoder, interchange the

signal CHA and CHB. If, on the other hand, you are using a differential encoder, interchange only CHA+ and CHA-. The loop polarity and encoder polarity can also be affected through software with the MT, and CE commands. For more details on the MT command or the CE command, see the Command Reference section.

Note: Reversing the Direction of Motion

If the feedback polarity is correct but the direction of motion is opposite to the desired direction of motion, reverse the motor leads AND the encoder signals.

When the position loop has been closed with the correct polarity, the next step is to adjust the PID filter parameters, KP, KD and KI. It is necessary to accurately tune your servo system to ensure fidelity of position and minimize motion oscillation as described in the next section.

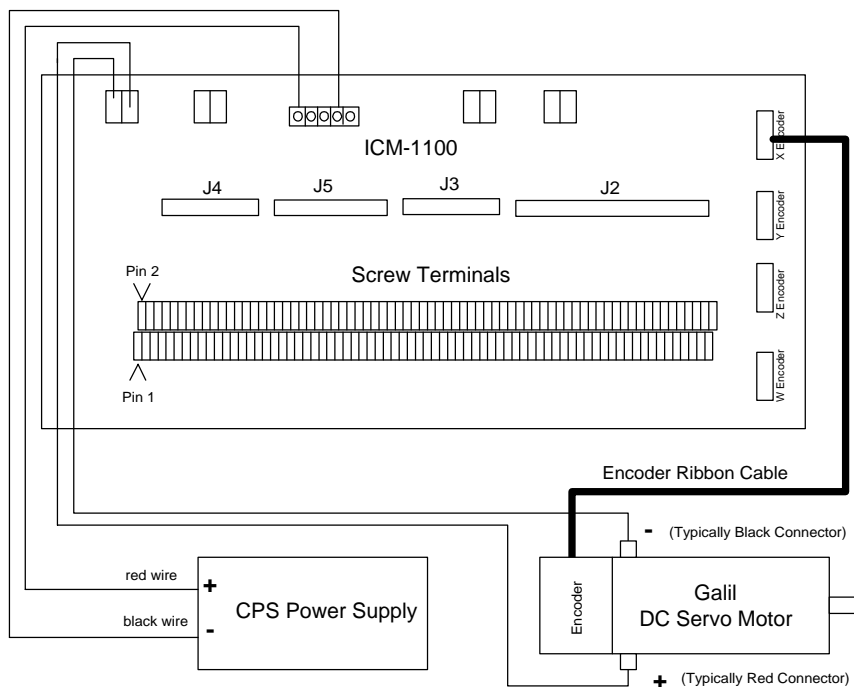


Figure 2-2 - System Connections with the AMP-1100 Amplifier. Note: this figure shows a Galil Motor and Encoder which uses a flat ribbon cable to connect to the AMP-1100 unit.

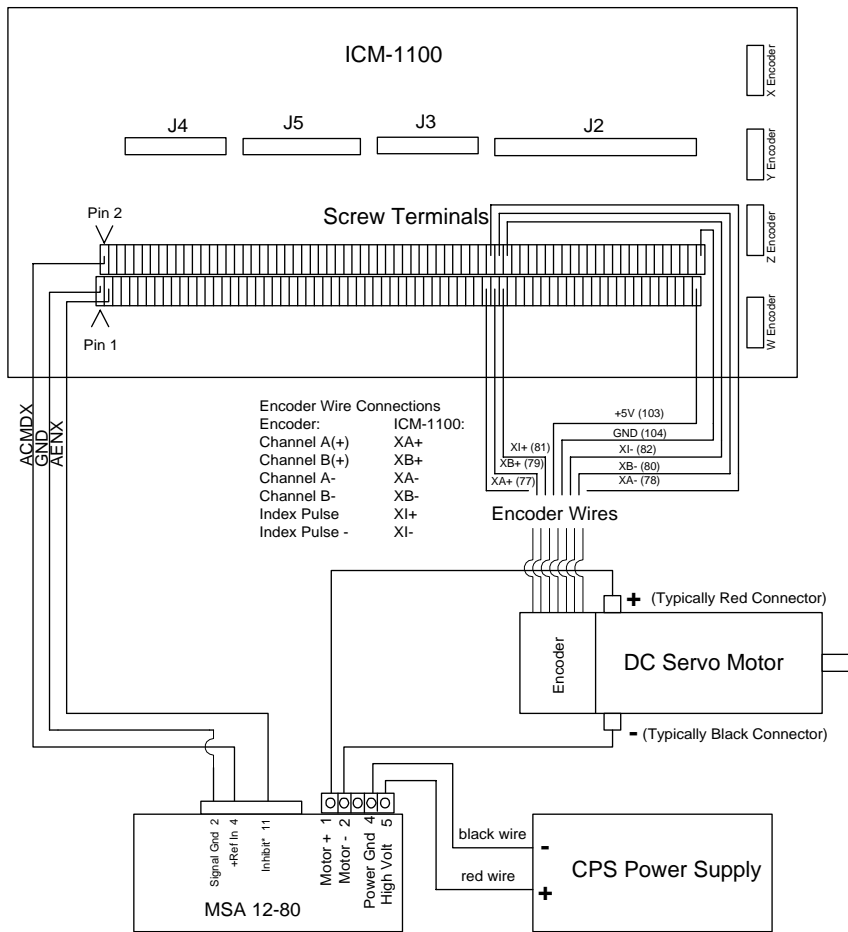


Figure 2-3 System Connections with a separate amplifier (MSA 12-80). This diagram shows the connections for a standard DC Servo Motor and encoder.



Step 7b. Connect Step Motors

In Stepper Motor operation, the pulse output signal has a 50% duty cycle. Step motors operate open loop and do not require encoder feedback. When a stepper is used, the auxiliary encoder for the corresponding axis is unavailable for an external connection. If an encoder is used for position feedback, connect the encoder to the main encoder input corresponding to that axis. The commanded position of the stepper can be interrogated with RP or DE. The encoder position can be interrogated with TP.

The frequency of the step motor pulses can be smoothed with the filter parameter, KS. The KS parameter has a range between 0.5 and 8, where 8 implies the largest amount of smoothing. See *Command Reference regarding KS*.

The DMC-1000 profiler commands the step motor amplifier. All DMC-1000 motion commands apply such as PR, PA, VP, CR and JG. The acceleration, deceleration, slew speed and smoothing are also used. Since step motors run open-loop, the PID filter does not function and the position error is not generated.

To connect step motors with the DMC-1000 you must follow this procedure:

Step A. Install SM jumpers

Each axis of the DMC-1000 that will operate a stepper motor must have the corresponding stepper motor jumper installed. For a discussion of SM jumpers, see step 2.

Step B. Connect step and direction signals.

Make connections from controller to motor amplifiers. (These signals are labeled PULSX and DIRX for the x-axis on the ICM-1100). Consult the documentation for your step motor amplifier.

Step C. Configure DMC-1000 for motor type using MT command. You can configure the DMC-1000 for active high or active low pulses. Use the command MT 2 for active high step motor pulses and MT -2 for active low step motor pulses. *See description of the MT command in the Command Reference.*

Step 8. Tune the Servo System

Adjusting the tuning parameters is required when using servo motors. The system compensation provides fast and accurate response and the following presentation suggests a simple and easy way for compensation. More advanced design methods are available with software design tools from Galil, such as the Servo Design Kit (SDK software)

The filter has three parameters: the damping, KD; the proportional gain, KP; and the integrator, KI. The parameters should be selected in this order.

To start, set the integrator to zero with the instruction

KI 0 (CR) Integrator gain

and set the proportional gain to a low value, such as

KP 1 (CR) Proportional gain

KD 100 (CR) Derivative gain

For more damping, you can increase KD (maximum is 4095). Increase gradually and stop after the motor vibrates. A vibration is noticed by audible sound or by interrogation. If you send the command

TE X (CR) Tell error

a few times, and get varying responses, especially with reversing polarity, it indicates system vibration. When this happens, simply reduce KD.

Next you need to increase the value of KP gradually (maximum allowed is 1023). You can monitor the improvement in the response with the Tell Error instruction

KP 10 (CR) Proportion gain

TE X (CR) Tell error

As the proportional gain is increased, the error decreases.

Again, the system may vibrate if the gain is too high. In this case, reduce KP. Typically, KP should not be greater than KD/4. (Only when the amplifier is configured in the current mode).

Finally, to select KI, start with zero value and increase it gradually. The integrator eliminates the position error, resulting in improved accuracy. Therefore, the response to the instruction

TE X (CR)

becomes zero. As KI is increased, its effect is amplified and it may lead to vibrations. If this occurs, simply reduce KI. Repeat tuning for the Y, Z and W axes.

For a more detailed description of the operation of the PID filter and/or servo system theory, see Chapter 10 - Theory of Operation.

Design Examples

Here are a few examples for tuning and using your controller. These examples have remarks next to each command - these remarks must not be included in the actual program.

Example 1 - System Set-up

This example assigns the system filter parameters, Error Limits And Enables The Automatic Error Shut-Off.

| Instruction | Interpretation |
|---------------------------|---|
| KP10,10,10,10,10,10,10,10 | Set gains for a,b,c,d,e,f,g,and h axes |
| KP10,10,10,10,10,10,10,10 | Set gains for a,b,c,d,e,f,g,and h axes |
| KP*=10 | Alternate method for setting gain on all axes |
| KPX=10 | Alternate method for setting X (or A) axis gain |
| KPA=10 | Alternate method for setting A (or X) axis gain |

When using controllers with 5 or more axes, the X,Y,Z and W axes can also be referred to as the A,B,C,D axes.

1080

| Instruction | Interpretation |
|---------------------------|---|
| OE 1,1,1,1,1,1,1,1 | Enable automatic Off on Error function for all axes |
| ER*=1000 | Set error limit for all axes to 1000 counts |
| KP10,10,10,10,10,10,10,10 | Set gains for a,b,c,d,e,f,g,and h axes |
| KP*=10 | Alternate method for setting gain on all axes |
| KPX=10 | Alternate method for setting X (or A) axis gain |
| KPA=10 | Alternate method for setting A (or X) axis gain |
| KPZ=10 | Alternate method for setting Z axis gain |
| KPD=10 | Alternate method for setting D axis gain |
| KPH=10 | Alternate method for setting H axis gain |

Example 2 - Profiled Move

Objective: Rotate the X axis a distance of 10,000 counts at a slew speed of 20,000 counts/sec and an acceleration and deceleration rates of 100,000 counts/s². In this example, the motor turns and stops:

| Instruction | Interpretation |
|-------------|----------------|
| PR 10000 | Distance |
| SP 20000 | Speed |
| DC 100000 | Deceleration |
| AC 100000 | Acceleration |
| BG X | Start Motion |

Example 3 - Multiple Axes

Objective: Move the four axes independently.

| Instruction | Interpretation |
|-------------------------------|--------------------------|
| PR 500,1000,600,-400 | Distances of X,Y,Z,W |
| SP 10000,12000,20000,10000 | Slew speeds of X,Y,Z,W |
| AC 100000,10000,100000,100000 | Accelerations of X,Y,Z,W |
| DC 80000,40000,30000,50000 | Decelerations of X,Y,Z,W |
| BG XZ | Start X and Z motion |
| BG YW | Start Y and W motion |

Example 4 - Independent Moves

The motion parameters may be specified independently as illustrated below.

| Instruction | Interpretation |
|--------------------|-----------------------|
| PR ,300,-600 | Distances of Y and Z |
| SP ,2000 | Slew speed of Y |
| DC ,80000 | Deceleration of Y |
| AC, 100000 | Acceleration of Y |
| SP ,,40000 | Slew speed of Z |
| AC ,,100000 | Acceleration of Z |
| DC ,,150000 | Deceleration of Z |
| BG Z | Start Z motion |
| BG Y | Start Y motion |

Example 5 - Position Interrogation

The position of the four axes may be interrogated with the instruction, TP.

| Instruction | Interpretation |
|--------------------|-----------------------------|
| TP | Tell position all four axes |
| TP X | Tell position - X axis only |
| TP Y | Tell position - Y axis only |
| TP Z | Tell position - Z axis only |
| TP W | Tell position - W axis only |

The position error, which is the difference between the commanded position and the actual position can be interrogated with the instruction TE.

| Instruction | Interpretation |
|--------------------|--------------------------|
| TE | Tell error - all axes |
| TE X | Tell error - X axis only |
| TE Y | Tell error - Y axis only |
| TE Z | Tell error - Z axis only |
| TE W | Tell error - W axis only |

Example 6 - Absolute Position

Objective: Command motion by specifying the absolute position.

| Instruction | Interpretation |
|--------------------|-----------------------|
|--------------------|-----------------------|

| | |
|--------------|---|
| DP 0,2000 | Define the current positions of X,Y as 0 and 2000 |
| PA 7000,4000 | Sets the desired absolute positions |
| BG X | Start X motion |
| BG Y | Start Y motion |

After both motions are complete, the X and Y axes can be command back to zero:

| | |
|--------|--------------------|
| PA 0,0 | Move to 0,0 |
| BG XY | Start both motions |

Example 7 - Velocity Control

Objective: Drive the X and Y motors at specified speeds.

| Instruction | Interpretation |
|------------------|-------------------------------|
| JG 10000,-20000 | Set Jog Speeds and Directions |
| AC 100000, 40000 | Set accelerations |
| DC 50000,50000 | Set decelerations |
| BG XY | Start motion |

after a few seconds, send the following command:

| | |
|-----------|---------------------------|
| JG -40000 | New X speed and Direction |
| TV X | Returns X speed |

and then

| | |
|-----------|-----------------|
| JG ,20000 | New Y speed |
| TV Y | Returns Y speed |

These cause velocity changes including direction reversal. The motion can be stopped with the instruction

| | |
|----|------|
| ST | Stop |
|----|------|

Example 8 - Operation Under Torque Limit

The magnitude of the motor command may be limited independently by the instruction TL.

| Instruction | Interpretation |
|-------------|---|
| TL 0.2 | Set output limit of X axis to 0.2 volts |
| JG 10000 | Set X speed |
| BG X | Start X motion |

In this example, the X motor will probably not move since the output signal will not be sufficient to overcome the friction. If the motion starts, it can be stopped easily by a touch of a finger.

Increase the torque level gradually by instructions such as

| Instruction | Interpretation |
|-------------|---|
| TL 1.0 | Increase torque limit to 1 volt. |
| TL 9.98 | Increase torque limit to maximum, 9.98 Volts. |

The maximum level of 10 volts provides the full output torque.

Example 9 - Interrogation

The values of the parameters may be interrogated. Some examples ...

| Instruction | Interpretation |
|--------------------|---------------------------|
| KP ? | Return gain of X axis. |
| KP ,,? | Return gain of Z axis. |
| KP ?,?,?,? | Return gains of all axes. |

Many other parameters such as KI, KD, FA, can also be interrogated. The command reference denotes all commands which can be interrogated.

Example 10 - Operation in the Buffer Mode

The instructions may be buffered before execution as shown below.

| Instruction | Interpretation |
|--------------------|---|
| PR 600000 | Distance |
| SP 10000 | Speed |
| WT 10000 | Wait 10000 milliseconds before reading the next instruction |
| BG X | Start the motion |

Example 11 - Motion Programs

Motion programs may be edited and stored in the controllers on-board memory.

The instruction

| | |
|----|-----------|
| ED | Edit mode |
|----|-----------|

moves the operation to the editor mode where the program may be written and edited. The editor provides the line number. For example, in response to the first ED command, the first line is zero.

| LINE # | INSTRUCTION | INTERPRETATION |
|---------------|--------------------|-----------------------|
| 000 | #A | Define label |
| 001 | PR 700 | Distance |
| 002 | SP 2000 | Speed |
| 003 | BGX | Start X motion |
| 004 | EN | End program |

To exit the editor mode, input <cntrl>Q. The program may be executed with the command.

| | |
|-------|---------------------------|
| XQ #A | Start the program running |
|-------|---------------------------|

Example 12 - Motion Programs with Loops

Motion programs may include conditional jumps as shown below.

| Instruction | Interpretation |
|--------------------|---------------------------------|
| #A | Label |
| DP 0 | Define current position as zero |
| V1=1000 | Set initial value of V1 |
| #Loop | Label for loop |
| PA V1 | Move X motor V1 counts |
| BG X | Start X motion |
| AM X | After X motion is complete |

| | |
|-------------|--------------------|
| JP #C, V1=0 | Exit if position=0 |
| JP #B | Repeat otherwise |
| #C | Label #C |
| EN | End of Program |

To start the program, command

| | |
|-------|--------------------|
| XQ #A | Execute Program #A |
|-------|--------------------|

This program moves X to an initial position of 1000 and returns it to zero on increments of half the distance. Note, `_TPX` is an internal variable which returns the value of the X position. Internal variables may be created by preceding a DMC-1000 instruction with an underscore, `_`.

Example 15 - Linear Interpolation

Objective: Move X,Y,Z motors distance of 7000,3000,6000, respectively, along linear trajectory. Namely, motors start and stop together.

| Instruction | Interpretation |
|-------------------|---|
| LM XYZ | Specify linear interpolation axes |
| LI 7000,3000,6000 | Relative distances for linear interpolation |
| LE | Linear End |
| VS 6000 | Vector speed |
| VA 20000 | Vector acceleration |
| VD 20000 | Vector deceleration |
| BGS | Start motion |

Example 16 - Circular Interpolation

Objective: Move the XY axes in circular mode to form the path shown on Fig. 2-4. Note that the vector motion starts at a local position (0,0) which is defined at the beginning of any vector motion sequence. See application programming for further information.

| Instruction | Interpretation |
|------------------|---|
| VM XY | Select XY axes for circular interpolation |
| VP -4000,0 | Linear segment |
| CR 2000,270,-180 | Circular segment |
| VP 0,4000 | Linear segment |
| CR 2000,90,-180 | Circular segment |
| VS 1000 | Vector speed |
| VA 50000 | Vector acceleration |
| VD 50000 | Vector deceleration |
| VE | End vector sequence |
| BGS | Start motion |

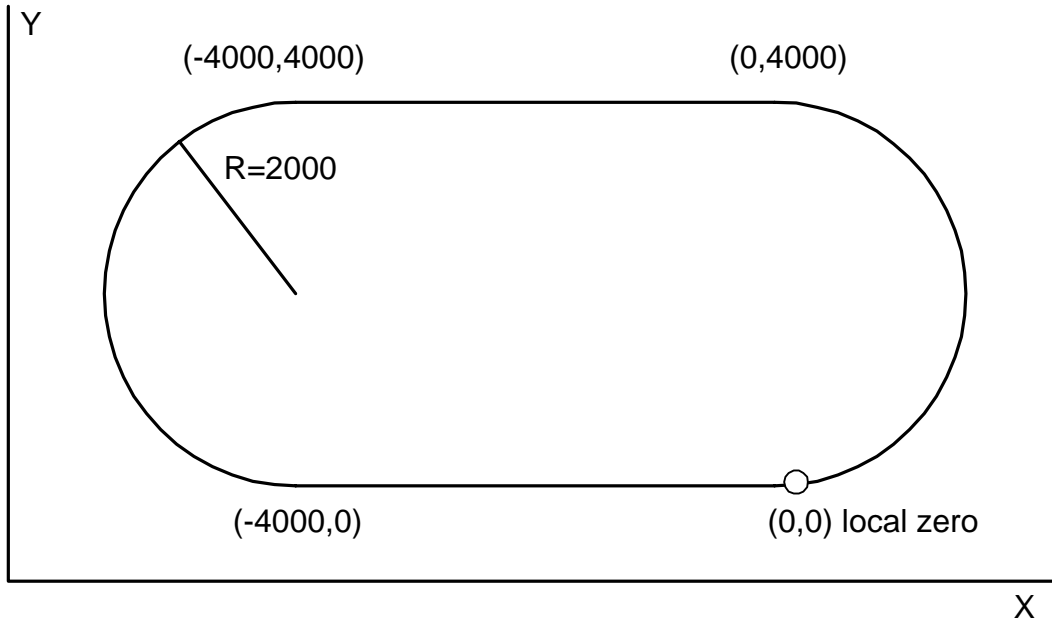


Figure 2-4 Motion Path for Example 16

Chapter 3 Connecting Hardware

Overview

The DMC-1000 provides optoisolated digital inputs for forward limit, reverse **limit**, **home**, and **abort** signals. The controller also has 8 **optoisolated, uncommitted inputs** (for general use) as well as 8 TTL outputs and 7 analog inputs configured for voltages between +/- 10 volts.

1080

Controllers with 5 or more axes have an additional 8 TTL level inputs and 8 TTL level outputs.

This chapter describes the inputs and outputs and their proper connection.

To access the analog inputs or general inputs 5-8 or all outputs except OUT1, connect the 26-pin ribbon cable to the 26-pin J5 IDC connector from the DMC-1000 to the AMP-11X0 or ICM-1100 board.

If you plan to use the auxiliary encoder feature of the DMC-1000, you must also connect a 20-pin ribbon cable from the 20-pin J3 header connector on the DMC-1000 to the 26-pin J3 header connector on the AMP-11X0 or ICM-1100. This cable is not shipped unless requested when ordering.

Using Optoisolated Inputs

Limit Switch Input

The forward limit switch (FLS_x) inhibits motion in the forward direction immediately upon activation of the switch. The reverse limit switch (RLS_x) inhibits motion in the reverse direction immediately upon activation of the switch. If a limit switch is activated during motion, the controller will make a decelerated stop using the deceleration rate previously set with the DC command. The motor will remain in a servo state after the limit switch has been activated and will hold motor position.

When a forward or reverse limit switch is activated, the current application program that is running will be interrupted and the controller will automatically jump to the #LIMSWI subroutine if one exists. This is a subroutine which the user can include in any motion control program and is useful for executing specific instructions upon activation of a limit switch.

After a limit switch has been activated, further motion in the direction of the limit switch will not be possible until the logic state of the switch returns back to an inactive state. This usually involves physically opening the tripped switch. Any attempt at further motion before the logic state has been reset will result in the following error: "022 - Begin not possible due to limit switch" error.

The operands, _LF_x and _LR_x, return the state of the forward and reverse limit switches, respectively (x represents the axis, X,Y,Z,W etc.). The value of the operand is either a '0' or '1' corresponding to the logic state of the limit switch. Using a terminal program, the state of a limit switch can be printed to the screen with the command, MG _LF_x or MG _LR_x. This prints the value of the limit switch operands for the 'x' axis. The logic state of the limit switches can also be interrogated with the TS command. For more details on TS see the Command Reference.

Home Switch Input

The Home inputs are designed to provide mechanical reference points for a motion control application. A transition in the state of a Home input alerts the controller that a particular reference point has been reached by a moving part in the motion control system. A reference point can be a point in space or an encoder index pulse.

The Home input detects any transition in the state of the switch and toggles between logic states 0 and 1 at every transition. A transition in the logic state of the Home input will cause the controller to execute a homing routine specified by the user.

There are three homing routines supported by the DMC-1000: Find Edge (FE), Find Index (FI), and Standard Home (HM).

The Find Edge routine is initiated by the command sequence: FEX <return>, BGX <return>. The Find Edge routine will cause the motor to accelerate, then slew at constant speed until a transition is detected in the logic state of the Home input. The motor will then decelerate to a stop. The acceleration rate, deceleration rate and slew speed are specified by the user, prior to the movement, using the commands AC, DC, and SP. *It is recommended that a high deceleration value be used so the motor will decelerate rapidly after sensing the Home switch.*

The Find Index routine is initiated by the command sequence: FIX <return>, BGX <return>. Find Index will cause the motor to accelerate to the user-defined slew speed (SP) at a rate specified by the user with the AC command and slew until the controller senses a change in the index pulse signal from low to high. The motor then decelerates to a stop at the rate previously specified by the user with the DC command. *Although Find Index is an option for homing, it is not dependent upon a transition in the logic state of the Home input, but instead is dependent upon a transition in the level of the index pulse signal.*

The Standard Homing routine is initiated by the sequence of commands HMX <return>, BGX <return>. Standard Homing is a combination of Find Edge and Find Index homing. Initiating the standard homing routine will cause the motor to slew until a transition is detected in the logic state of the Home input. The motor will accelerate at the rate specified by the command, AC, up to the slew speed. After detecting the transition in the logic state on the Home Input, the motor will decelerate to a stop at the rate specified by the command, DC. After the motor has decelerated to a stop, it switches direction and approaches the transition point at the speed of 256 counts/sec. When the logic state changes again, the motor moves forward (in the direction of increasing encoder count) at the same speed, until the controller senses the index pulse. After detection, it decelerates to a stop and defines this position as 0. The logic state of the Home input can be interrogated with the command MG_HMX. This command returns a 0 or 1 if the logic state is low or high, respectively. The state of the Home input can also be interrogated indirectly with the TS command.

For examples and further information about Homing, see command HM, FI, FE of the Command Reference and the section entitled 'Homing' in the Programming Motion Section of this manual.

Abort Input

The function of the Abort input is to immediately stop the controller upon transition of the logic state.

NOTE: The response of the abort input is significantly different from the response of an activated limit switch. When the abort input is activated, the controller stops generating motion commands immediately, whereas the limit switch response causes the controller to make a decelerated stop.

NOTE: The effect of an Abort input is dependent on the state of the off-on-error function for each axis. If the Off-On-Error function is enabled for any given axis, the motor for that axis will be turned off when the abort signal is generated. This could cause the motor to 'coast' to a stop since it is no longer under servo control. If the Off-On-Error function is disabled, the motor will decelerate to a stop as fast as mechanically possible and the motor will remain in a servo state.

All motion programs that are currently running are terminated when a transition in the Abort input is detected. For information on setting the Off-On-Error function, see the Command Reference, OE.

NOTE: The error LED does not light up when the Abort Input is active.

Uncommitted Digital Inputs

The DMC-1000 has 8 uncommitted opto-isolated inputs. These inputs are specified as INx where x specifies the input number, 1 through 24. These inputs allow the user to monitor events external to the controller. For example, the user may wish to have the x-axis motor move 1000 counts in the positive direction when the logic state of IN1 goes high.

1080

Controllers with 5 or more axes have 16 opto-isolated inputs and 8 TTL level inputs. .

For controllers with more than 4 axes, the inputs 9-16 and the limit switch inputs for the additional axes are accessed through the second 100-pin connector.

| | |
|---------------|-------|
| IN9-IN16 | INCOM |
| FLE,RLE,HOMEE | LSCOM |
| FLF,RLF,HOMEF | |
| FLG,RLG,HOMEG | |
| FLH,RLH,HOMEH | |

A logic zero is generated when at least 1mA of current flows from the common to the input. A positive voltage (with respect to the input) must be supplied at the common. This can be accomplished by connecting a voltage in the range of +5V to +28V into INCOM of the input circuitry from a separate power supply.

Wiring the Optoisolated Inputs

The default state of the controller configures all inputs to be interpreted as a logic one without any connection. The inputs must be brought low to be interpreted as a zero. With regard to limit switches, a limit switch is considered to be activated when the input is brought low (or a switch is closed to ground). Some inputs can be configured to be active when the input is high - see section *Changing Optoisolated Inputs from Active High to Active Low*.

The optoisolated inputs are organized into groups. For example, the general inputs, IN1-IN8, and the ABORT input are one group. Each group has a common signal which supplies current for the inputs in the group. In order to use an input, the associated common signal must be connected to voltage between +5 and +28 volts, see discussion below.

The optoisolated inputs are connected in the following groups (these inputs are accessed through the 26-pin J5 header).

| Group | Common Signal |
|----------------|---------------|
| IN1-IN8, ABORT | INCOM |
| FLX,RLX,HOMEX | LSCOM |
| FLY,RLY,HOMEY | |
| FLZ,RLZ,HOMEZ | |
| FLW,RLW,HOMEW | |

1080

For controllers with more than 4 axes, the inputs 9-16 and the limit switch inputs for the additional axes are accessed through a separate connector, JD5.

| Group | Common Signal |
|----------|---------------|
| IN9-IN16 | INCOM |

FLE,RLE,HOMEE
 FLF,RLF,HOMEF
 FLG,RLG,HOMEG
 FLH,RLH,HOMEH

LSCOM

A logic zero is generated when at least 1mA of current flows from the common signal to the input. A positive voltage (with respect to the input) must be supplied at the common. This can be accomplished by connecting a voltage in the range of +5V to +28V into INCOM of the input circuitry from a separate power supply

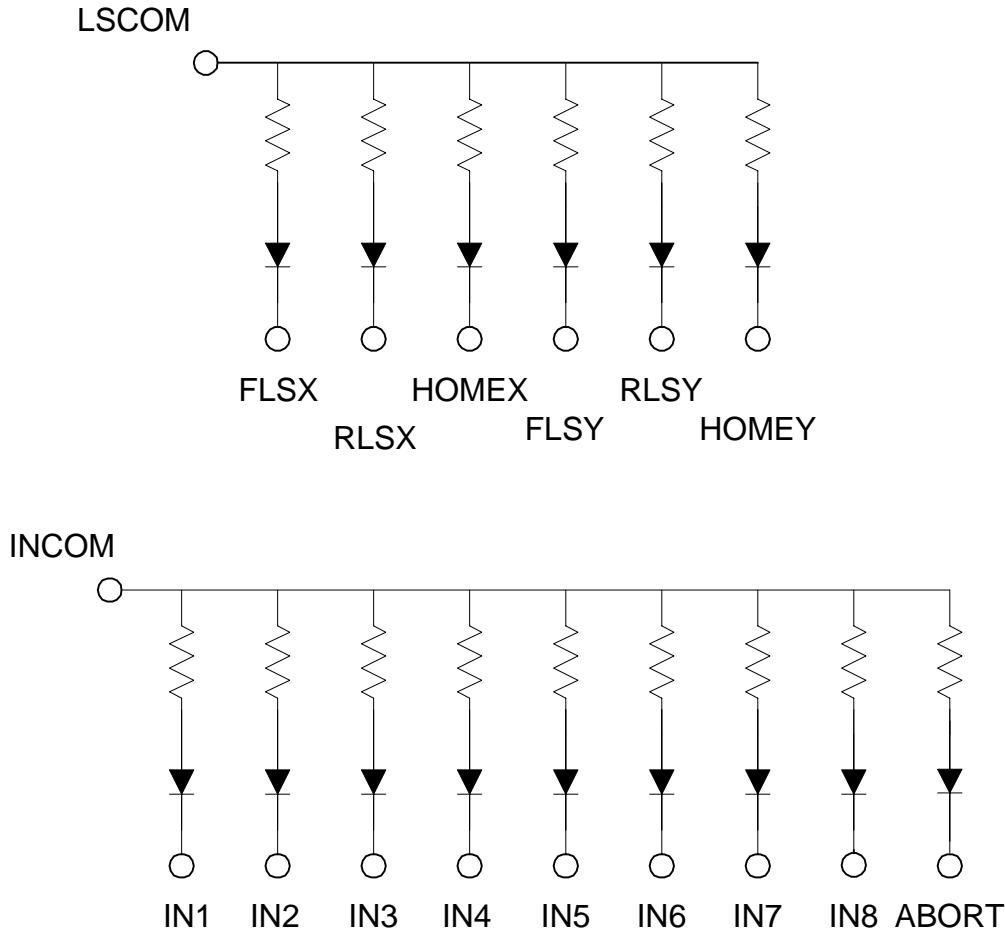


Figure 3-1. The Optoisolated Inputs

Using an Isolated Power Supply

To take full advantage of opto-isolation, an isolated power supply should be used to provide the voltage at the input common connection. When using an isolated power supply, do not connect the ground of the isolated power to the ground of the controller. A power supply in the voltage range between 5 to 28 Volts may be applied directly (see Figure 3-2). For voltages greater than 28 Volts, a resistor, R, is needed in series with the input such that

$$1 \text{ mA} < V_{\text{supply}} / (R + 2.2\text{K}\Omega) < 15 \text{ mA}$$

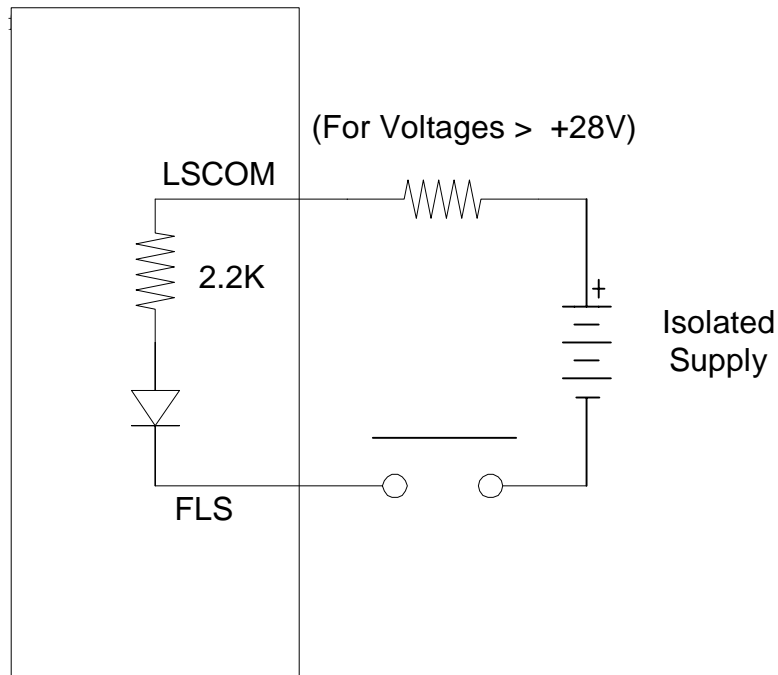


Figure 3-2. Connecting a single Limit or Home Switch to an Isolated Supply

NOTE: As stated in Chapter 2, the wiring is simplified when using the ICM-1100 or AMP-11x0 interface board. This board accepts the signals from the ribbon cables of the DMC-1000 and provides phoenix-type screw terminals. A picture of the ICM-1100 can be seen on pg. 2-14. The user must wire the system directly off the ribbon cable if the ICM-1100 or equivalent breakout board is not available.

Bypassing the Opto-Isolation:

If no isolation is needed, the internal 5 Volt supply may be used to power the switches, as shown in Figure 3-3. This can be done by connecting a jumper between the pins LSCOM or INCOM and 5V, labeled J9. These jumpers can be added on either the ICM-1100 or the DMC-1000. This can also be done by connecting wires between the 5V supply and common signals using the screw terminals on the ICM-1100 or AMP-11x0.

To close the circuit, wire the desired input to any ground (GND) terminal.

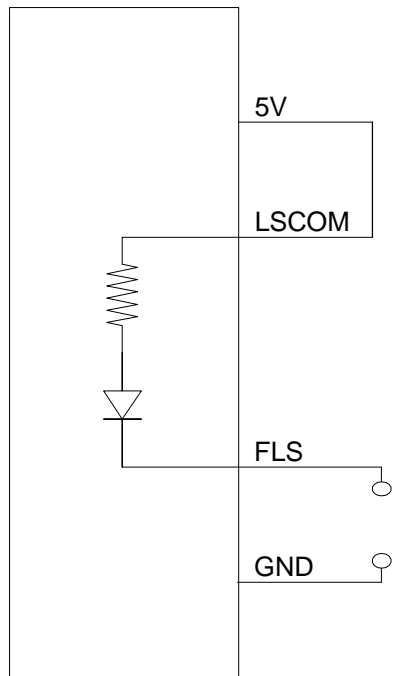


Figure 3-3 - Connecting Limit switches to the internal 5V supply

Changing Optoisolated Inputs From Active Low to Active High

Some users may prefer that the optoisolated inputs be active high. For example, the user may wish to have the inputs be activated with a logic one signal. The limit, home and latch inputs can be configured through software to be active high or low with the CN command. For more details on the CN see Command Reference manual.

The Abort input *cannot* be configured in this manner.

Amplifier Interface

The DMC-1000 analog command voltage, ACMD, ranges between +/-10V. This signal, along with GND, provides the input to the power amplifiers. The power amplifiers must be sized to drive the motors and load. For best performance, the amplifiers should be configured for a current mode of operation with no additional compensation. The gain should be set such that a 10 Volt input results in the maximum required current.

The DMC-1000 also provides an amplifier enable signal, AEN. This signal changes under the following conditions: the watchdog timer activates, the motor-off command, MO, is given, or the OE1 command (Enable Off-On-Error) is given and the position error exceeds the error limit. As shown in Figure 3-4, AEN can be used to disable the amplifier for these conditions.

The standard configuration of the AEN signal is TTL active high. In other words, the AEN signal will be high when the controller expects the amplifier to be enabled. The polarity and the amplitude can be changed if you are using the ICM-1100 interface board. To change the polarity from active high (5 volts = enable, zero volts = disable) to active low (zero volts = enable, 5 volts = disable), replace the 7407 IC with a 7406. Note that many amplifiers designate the enable input as 'inhibit'.

To change the voltage level of the AEN signal, note the state of the resistor pack on the ICM-1100. When Pin 1 is on the 5V mark, the output voltage is 0-5V. To change to 12 volts, pull the resistor pack and rotate it so that Pin 1 is on the 12 volt side. If you remove the resistor pack, the output signal is an open collector, allowing the user to connect an external supply with voltages up to 24V.

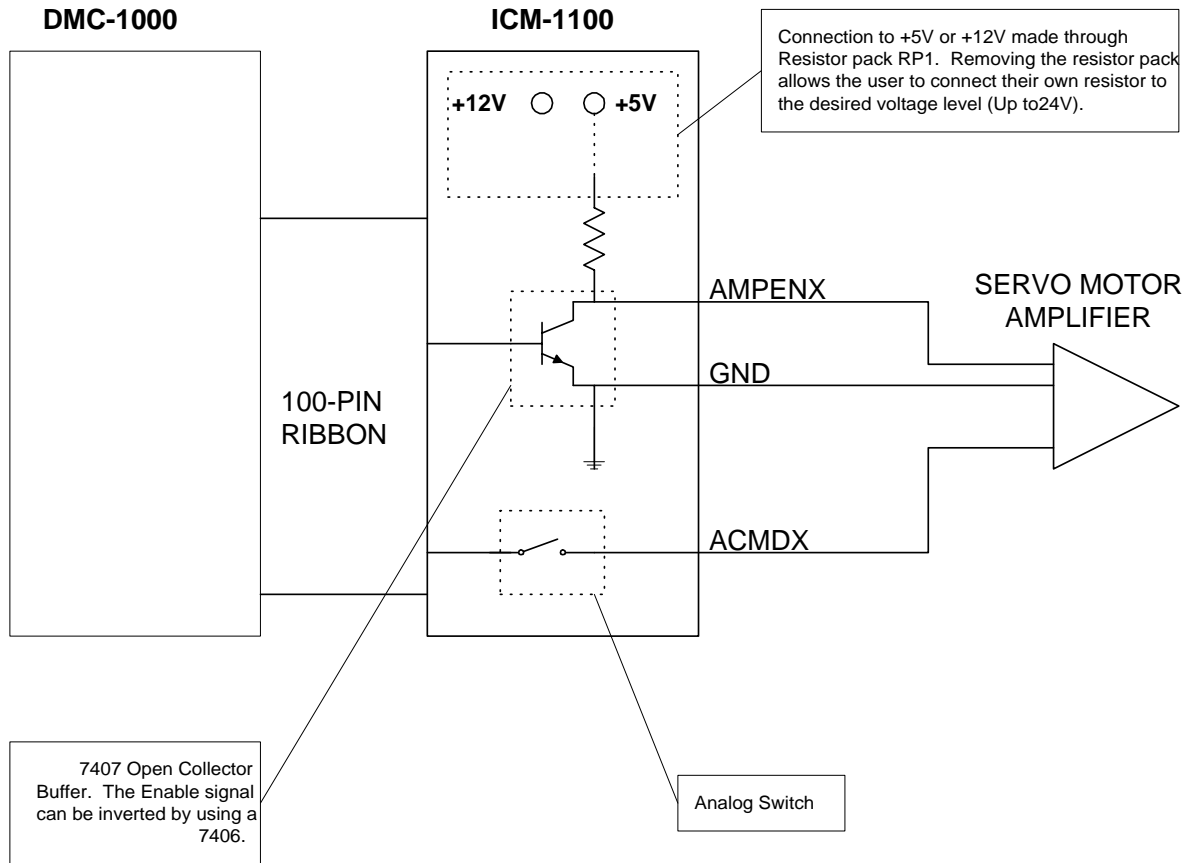


Figure 3-4 - Connecting AEN to the motor amplifier

TTL Inputs

1080

As previously mentioned, the DMC-1000 has 8 uncommitted TTL level inputs for controllers with 5 or more axes. These are specified as IN_x where x ranges from 17 thru 24. The reset input is also a TTL level, non-isolated signal and is used to locally reset the DMC-1000 without resetting the PC.

Analog Inputs

The DMC-1000 has seven analog inputs configured for the range between -10V and 10V. The inputs are decoded by a 12-bit A/D converter giving a voltage resolution of approximately .005V. The impedance of these inputs is 10 K Ω . The analog inputs are specified as AN_[x] where x is a number 1 thru 7. Galil can supply the DMC-1000 with a 16-bit A/D converter as an option.

TTL Outputs

The DMC-1000 provides eight general use outputs and an error signal output.

The general use outputs are TTL and are accessible by connections to OUT1 thru OUT8. These outputs can be turned On and Off with the commands, SB (Set Bit), CB (Clear Bit), OB (Output Bit), and OP (Output Port). For more information about these commands, see the Command Summary. The value of the outputs can be checked with the operand `_OP` and the function `@OUT[]` (see Chapter 7, Mathematical Functions and Expressions).

1080

Controllers with 5 or more axes have an additional eight general use TTL outputs (connector JD5).

The error signal output is available on the main connector (J2, pin 3). This is a TTL signal which is low when the controller has an error. This signal is not available through the phoenix connectors of the ICM-1100.

Note: When the error signal is active, the LED on the controller will be on. An error condition indicates one of the following conditions:

1. At least one axis has a position error greater than the error limit. The error limit is set by using the command ER.
2. The reset line on the controller is held low or is being affected by noise.
3. There is a failure on the controller and the processor is resetting itself.
4. There is a failure with the output IC which drives the error signal.

Offset Adjustment

For each axis, the DMC-1000 provides offset correction potentiometers to compensate for any offset in the analog output. These potentiometers have been adjusted at the factory to produce 0 Volts output for a zero digital motor command. Before making any adjustment to the offset, send the motor off command, MO, to the DMC-1000. This causes a zero digital motor command. Connect an oscilloscope or voltmeter to the motor command pin. You should measure zero volts. If not, adjust the offset potentiometer on the DMC-1000 until zero volts is observed.

Chapter 4 Communication

Introduction

The DMC-1000 receives commands from a PC/XT/AT or compatible computer. The controller is configured as a standard AT style card that is mapped into the I/O space. Communication between the DMC-1000 and the computer is in the form of ASCII characters where data is sent and received via READ and WRITE registers on the DMC-1000. A handshake is required for sending and receiving data.

The DMC-1000 contains a 512 character write FIFO buffer. This permits sending commands at high speeds ahead of their actual processing by the DMC-1000. The DMC-1000 also contains a 512 character read buffer.

This chapter discusses Address Selection, Communication Register Description, A Simplified Method of Communication, Advanced Communication Techniques, and Bus Interrupts.

Address Selection

The DMC-1000 address, N, is selectable by setting the Address Dip Switches A2, A3, A4, A5, A6, A7 and A8, where A2 represents 2^2 , A3 represents 2^3 bit and so on. Setting a switch to the ON position sets that bit to zero and setting a switch to the OFF position sets that bit to 1. Please note that this discussion refers only to the computer address of the controller and is not related to specifying axes for instructions.

The default address of the DMC-1000 is 1000 (A4 and A2 switches ON).

The DMC-1000 can be configured for any 4th address between 512 and 1024. It is the responsibility of the user to assure there are no address conflicts between the DMC-1000 and the computer. The DMC-1000 must not conflict with an address used by the PC or another I/O card.

WARNING: The DMC-1000 address setting must not conflict with an address used by the PC or another I/O card. An address conflict will prevent communication or cause data conflicts resulting in lost characters.

To select an address (N), first make sure it is a number between 512 and 1024 that is divisible by four. Then subtract 512 from N and use the switches A2 through A8 to represent the binary result. A switch in the ON position represents a binary 0 and the OFF position represents binary 1.

Example - Address Selection

1. Select address, N, as 996.
2. Check to see if N is divisible by 4.
3. Subtract 512 from N.

$$996-512=484$$

4. Convert result from above into binary.

$$484=1\ 1\ 1\ 1\ 0\ 0\ 1\ 0\ 0$$

$$2^8\ 2^7\ 2^6\ 2^5\ 2^4\ 2^3\ 2^2\ 2^1\ 2^0$$

5. Let switches A2 through A8 represent bits 2^2 through 2^8 of above,

Where ON= 0, OFF=1

| Switch | Position |
|--------|----------|
| A2 | OFF |
| A3 | ON |
| A4 | ON |
| A5 | OFF |
| A6 | OFF |
| A7 | OFF |
| A8 | OFF |

Note: The appendix contains a table with the proper switch setting for all possible addresses.

Communication with the Controller

Communication Registers

| Register | Description | Address | Read/Write |
|----------|-----------------------|---------|----------------|
| READ | for receiving data | N | Read only |
| WRITE | for transmitting data | N | Write only |
| CONTROL | for status control | N+1 | Read and Write |

The DMC-1000 provides three registers used for communication. The READ register and WRITE register occupy address N and the CONTROL register occupies address N+1 in the I/O space. The READ register is used for receiving data from the DMC-1000. The WRITE register is used to send data to the DMC-1000. The CONTROL register may be read or written to and is used for controlling communication, flags and interrupts.

Simplified Communication Procedure

The simplest approach for communicating with the DMC-1000 is to check bits 4 and 5 of the CONTROL register at address N+1. Bit 4 is for WRITE STATUS and bit 5 is for READ STATUS.

| Status Bit | Name | Logic State | Meaning |
|------------|-------|-------------|--|
| 5 | READ | 0 | Data to be read |
| 5 | READ | 1 | No data to be read |
| 4 | WRITE | 0 | Buffer not full, OK to write up to 16 characters |
| 4 | WRITE | 1 | Buffer almost full. Do not send data |

Read Procedure

To receive data from the DMC-1000, read the control register at address N+1 and check bit 5. If bit 5 is zero, the DMC-1000 has data to be read in the READ register at address N. Bit 5 must be checked for every character read and should be read until it signifies empty. Reading data from the READ register when the register is empty will result in reading an FF hex.

Write Procedure

To send data to the DMC-1000, read the control register at address N+1 and check bit 4. If bit 4 is zero, the DMC-1000 FIFO buffer is not almost full and up to 16 characters may be written to the WRITE register at address N. If bit 4 is one, the buffer is almost full and no additional data should be sent. The size of the buffer may be changed (see "Changing Almost Full Flags" on pg. 35).

Any high-level computer language such as C, Basic, Pascal or Assembly may be used to communicate with the DMC-1000 as long as the READ/WRITE procedure is followed as described above. Example software drivers are contained on the COM-DISK from Galil.

Advanced Communication Techniques

Changing Almost Full Flags

The Almost Full flag (Bit 4 of the control register) can be configured to change states at a different level from the default level of 16 characters.

The level, m, can be changed from 16 up to 256 in multiples of 16 as follows:

1. Write a 5 to the control register at address N+1.
2. Write the number m-16 to the control register where m is the desired Almost Full level between 16 and 256.

For example, to extend the Almost Full level to 256 bytes, write a 5 to address N+1. Then write a 240 to address N+1.

Clearing FIFO Buffer

The FIFO buffer may be cleared by writing the following sequence:

- Read N+1 address
- Send 01H to N+1 address
- Send 80H to N+1 address
- Send 01H to N+1 address
- Send 80H to N+1 address
- Read N+1 address (Bit 7 will be 1)

It is a good idea to clear any control data before attempting this procedure. Send a no-op instruction, by reading N+1 address, before you start. All data, including data from the DMC-1000, will then be cleared.

Clearing the FIFO is useful for emergency resets or Abort. For example, to Reset the controller, clear the FIFO, then send the RS command.

Interrupts

The DMC-1000 provides a hardware interrupt line that will, when enabled, interrupt the PC. Interrupts free the host from having to poll for the occurrence of certain events such as motion complete or excess position error.

The DMC-1000 uses only one of the PC's interrupts, however, it is possible to interrupt on multiple conditions. The controller provides a register that contains a byte designating each condition.

The user can also send an interrupt with the UI command.

Configuring Interrupts

To use the DMC-1000 interrupt, you must complete the following four steps:

1. Place a jumper on the desired IRQ line. The DMC-1000 board must contain only one jumper to designate the interrupt line for the PC bus. The available lines are IRQ2, IRQ3, IRQ4, IRQ5, IRQ7, IRQ9, IRQ10, IRQ11, IRQ12, IRQ14, IRQ15. Note that the jumper for IRQ2 and IRQ9 is at the same location. IRQ9 is used for computers wired for the AT standard and IRQ2 is used for computers wired for the XT standard. If you aren't sure, select another interrupt line instead. Please note that only one card can be attached to each interrupt request line.
2. Your host software code must contain an interrupt service routine and must initialize the interrupt vector table in the PC. The interrupt vector table and an example interrupt service routine, INIT_1000.C (included in Galil's COMMDISK) is shown in Appendix 12.8. Failure to have proper interrupt servicing in your host program could cause disastrous results including resetting or "hanging" your computer.
3. The DMC-1000 interrupt hardware must be initialized following each reset. This is done by writing the data 2 followed by 4 to the control register at address N+1.
4. The Interrupt conditions must be enabled with the EI instruction. (The UI instruction does not require EI). The EI instruction has the following format:
EI M,N where

The * conditions must be re-enabled after each occurrence.

| Bit Number (m) | Condition |
|----------------|-----------------------------|
| 0 | X motion complete |
| 1 | Y motion complete |
| 2 | Z motion complete |
| 3 | W motion complete |
| 4 | E motion complete |
| 5 | F motion complete |
| 6 | G motion complete |
| 7 | H motion complete |
| 8 | All axes motion complete |
| 9 | Excess position error* |
| 10 | Limit switch* |
| 11 | Watchdog timer |
| 12 | Reserved |
| 13 | Application program stopped |
| 14 | Command done |
| 15 | Inputs* (uses n for mask) |

| Bit number (n) | Input |
|----------------|---------|
| 0 | Input 1 |
| 1 | Input 2 |
| 2 | Input 3 |
| 3 | Input 4 |
| 4 | Input 5 |
| 5 | Input 6 |
| 6 | Input 7 |
| 7 | Input 8 |

and $M = \sum 2^m$
 $N = \sum 2^n$

For example, to select an interrupt for the conditions X motion complete, Z motion complete and excess position error, you would enable bits 0, 2 and 9.

$$M = 2^9 + 2^2 + 2^0 = 512 + 4 + 1 = 517$$

EI 517

If you want an interrupt for Input 2 only, you would enable bit 15 for the m parameter and bit 1 for the n parameter.

$$M = 2^{15} = 32,768$$

$$N = 2^1 = 2$$

EI 32768,2

The DMC-1000 also provides 16 User Interrupts which can be sent by sending the command UI n to the DMC-1000, where n is an integer between 0 and 15. The UI command does not require the EI command.

Servicing Interrupts

Once an interrupt occurs, the host computer can read information about the interrupt by first writing the data 6 to the control register at address N + 1. Then the host reads the control register data. The returned data has the following meaning:

| Hex Data | Condition |
|---------------|--------------------------|
| 00 | No interrupt |
| D9 | Watchdog timer activated |
| DA | Command done |
| DB | Application program done |
| F0 through FF | User interrupt |
| E1 through E8 | Input interrupt |
| C0 | Limit switch occurred |
| C8 | Excess position error |
| D8 | All axis motion complete |
| D7 | E axis motion complete |
| D6 | F axis motion complete |
| D5 | G axis motion complete |
| D4 | H axis motion complete |
| D3 | W axis motion complete |
| D2 | Z axis motion complete |
| D1 | Y axis motion complete |
| D0 | X axis motion complete |

Example - Interrupts

1) Interrupt on Y motion complete on IRQ5.

Jumper IRQ5 on DMC-1000

Install interrupt service routine in host program

Write data 2, then 4 to address N + 1

Enable bit 1 on EI command, $m = 2^1 = 2$; EI 2

PR,5000

BGY

Now, when the motion is complete, IRQ5 will go high, triggering the interrupt service routine. Write a 6 to address N + 1. Then read N + 1 to receive the data D1 hex.

| | |
|--------------------------------------|----------------|
| 2) Send User Interrupt when at speed | |
| #I | Label |
| PR 1000 | Position |
| SP 5000 | Speed |
| BGX | Begin |
| ASX | At speed |
| UII | Send interrupt |
| EN | End |

This program sends an interrupt when the X axis is at its slow speed. After a 6 is written to address N + 1, the data EI will be read at address N + 1.

EI corresponds to UII.

Controller Response to DATA

Most DMC-1000 instructions are represented by two characters followed by the appropriate parameters. Each instruction must be terminated by a carriage return or semicolon.

Instructions are sent in ASCII, and the DMC-1000 decodes each ASCII character (one byte) one at a time. It takes approximately .5 msec for the controller to decode each command. However, the PC can send data to the controller at a much faster rate because of the FIFO buffer.

After the instruction is decoded, the DMC-1000 returns a colon (:) if the instruction was valid or a question mark (?) if the instruction was not valid.

For instructions that return data, such as Tell Position (TP), the DMC-1000 will return the data followed by a carriage return, line feed and : .

It is good practice to check for : after each command is sent to prevent errors. An echo function is provided to enable associating the DMC-1000 response with the data sent. The echo is enabled by sending the command EO 1 to the controller.

Galil Software Tools and Libraries

API (Application Programming Interface) software is available from Galil. The API software is written in C and is included in the Galil COMM disks. They can be used for development under DOS and Windows environments (16 and 32 bit Windows). With the API's, the user can incorporate already existing library functions directly into a C program.

Galil has also developed a Visual Basic Toolkit. This provides VBXs and 16-bit and 32-bit OCXs for handling all of the DMC-1000 communications including support of interrupts. These objects install directly into the Visual Basic tool box and are part of the run-time environment. For more information, contact Galil.

THIS PAGE LEFT BLANK INTENTIONALLY

Chapter 5 Command Basics

Introduction

The DMC-1000 provides over 100 commands for specifying motion and machine parameters. Commands are included to initiate action, interrogate status and configure the digital filter.

The DMC-1000 instruction set is BASIC-like and easy to use. Instructions consist of two uppercase letters that correspond phonetically with the appropriate function. For example, the instruction BG begins motion, and ST stops the motion.

Commands can be sent "live" over the bus for immediate execution by the DMC-1000, or an entire group of commands can be downloaded into the DMC-1000 memory for execution at a later time. Combining commands into groups for later execution is referred to as Applications Programming and is discussed in the following chapter.

This section describes the DMC-1000 instruction set and syntax. A summary of commands as well as a complete listing of all DMC-1000 instructions is included in the *Command Reference* chapter.

Command Syntax

DMC-1000 instructions are represented by two ASCII upper case characters followed by applicable arguments. A space may be inserted between the instruction and arguments. A semicolon or <enter> is used to terminate the instruction for processing by the DMC-1000 command interpreter. Note: If you are using a Galil terminal program, commands will not be processed until an <enter> command is given. This allows the user to separate many commands on a single line and not begin execution until the user gives the <enter> command.

| |
|---|
| IMPORTANT: All DMC-1000 commands are sent in upper case. |
|---|

For example, the command

PR 4000 <enter> Position relative

PR is the two character instruction for position relative. 4000 is the argument which represents the required position value in counts. The <enter> terminates the instruction. The space between PR and 4000 is optional.

For specifying data for the X,Y,Z and W axes, commas are used to separate the axes. If no data is specified for an axis, a comma is still needed as shown in the examples below. If no data is specified for an axis, the previous value is maintained. The space between the data and instruction is optional. For controllers with 5 or more axes, the axes are referred to as A,B,C,D,E,F,G,H where X,Y,Z,W and A,B,C,D may be used interchangeably.

The DMC-1000 provides an alternative method for specifying data. Here data is specified individually using a single axis specifier such as X,Y,Z or W (or A,B,C,D,E,F,G or H for the DMC-1080). An equals sign is used to assign data to that axis. For example:

| | |
|------------|---|
| PRX=1000 | Specify a position relative movement for the X axis of 1000 |
| ACY=200000 | Specify acceleration for the Y axis as 200000 |

Instead of data, some commands request action to occur on an axis or group of axes. For example, ST XY stops motion on both the X and Y axes. Commas are not required in this case since the particular axis is specified by the appropriate letter X Y Z or W. If no parameters follow the instruction, action will take place on all axes. Here are some examples of syntax for requesting action:

| | |
|---------|--------------------|
| BG X | Begin X only |
| BG Y | Begin Y only |
| BG XYZW | Begin all axes |
| BG YW | Begin Y and W only |
| BG | Begin all axes |

1080

For controllers with 5 or more axes, the axes are referred to as A,B,C,D,E,F,G,H. The specifiers X,Y,Z,W and A,B,C,D may be used interchangeably:

| | |
|-------------|----------------|
| BG ABCDEFGH | Begin all axes |
| BG D | Begin D only |

Coordinated Motion with more than 1 axis

When requesting action for coordinated motion, the letter S is used to specify the coordinated motion. For example:

| | |
|-------|---------------------------------------|
| BG S | Begin coordinated sequence |
| BG SW | Begin coordinated sequence and W axis |

Program Syntax

Chapter 7 explains the how to write and execute motion control programs.

Controller Response to DATA

The DMC-1000 returns a : for valid commands.

The DMC-1000 returns a ? for invalid commands.

For example, if the command BG is sent in lower case, the DMC-1000 will return a ?.

| | |
|-------------|-----------------------------|
| :bg <enter> | invalid command, lower case |
| ? | DMC-1000 returns a ? |

When the controller receives an invalid command the user can request the error code. The error code will specify the reason for the invalid command response. To request the error code type the command: TC1 For example:

?TC1 <enter> Tell Code command
 1 Unrecognized command Returned response

There are many reasons for receiving an invalid command response. The most common reasons are: unrecognized command (such as typographical entry or lower case), command given at improper time (such as during motion), or a command out of range (such as exceeding maximum speed). A complete list of all error codes can be found with the description of the TC command in the Command Reference, Chapter 11.

Interrogating the Controller

Interrogation Commands

The DMC-1000 has a set of commands that directly interrogate the controller. When the command is entered, the requested data is returned in decimal format on the next line followed by a carriage return and line feed. The format of the returned data can be changed using the Position Format (PF), Variable Format (VF) and Leading Zeros (LZ) command. See Chapter 7 and the Command Reference.

Summary of Interrogation Commands

| | |
|-------|-------------------------------|
| RP | Report Command Position |
| RL | Report Latch |
| ^R ^V | Firmware Revision Information |
| SC | Stop Code |
| TB | Tell Status |
| TC | Tell Error Code |
| TD | Tell Dual Encoder |
| TE | Tell Error |
| TI | Tell Input |
| TP | Tell Position |
| TR | Trace |
| TS | Tell Switches |
| TT | Tell Torque |
| TV | Tell Velocity |

For example, the following example illustrates how to display the current position of the X axis:

TP X <enter> Tell position X
 0000000000 Controllers Response
 TP XY <enter> Tell position X and Y
 0000000000,0000000000 Controllers Response

Additional Interrogation Methods.

Most commands can be interrogated by using a question mark (?) as the axis specifier. Type the command followed by a ? for each axis requested.

| | |
|-------------|--|
| PR ,,?,? | The controller will return the PR value for the C and E axes |
| PR ?,?,?/? | The controller will return the PR value for the A,B,C and D axes |
| PR ,,,,,,,? | The controller will return the PR value for the H axis |

The controller can also be interrogated with operands.

Operands

Most DMC-1000 commands have corresponding operands that can be used for interrogation. Operands must be used inside of valid DMC expressions. For example, to display the value of an operand, the user could use the command:

```
MG 'operand'
```

All of the command operands begin with the underscore character (_). For example, the value of the current position on the X axis can be assigned to the variable 'V' with the command:

```
V=_TPX
```

The Command Reference denotes all commands which have an equivalent operand as "Used as an Operand". Also, see description of operands in Chapter 7.

Command Summary

For a complete command summary, see the *Command Reference* manual.

Chapter 6 Programming Motion

Overview

The DMC-1000 can be commanded to do the following modes of motion: Absolute and relative independent positioning, jogging, linear interpolation (up to 8 axes), linear and circular interpolation (2 axes with 3rd axis of tangent motion), electronic gearing, electronic cam motion and contouring. These modes are discussed in the following sections.

The DMC-1010 is a single axis controller and uses X-axis motion only. Likewise, the DMC-1020 uses X and Y, the DMC-1030 uses X,Y and Z, and the DMC-1040 uses X,Y,Z and W. The DMC-1050 uses A,B,C,D, and E. The DMC-1060 uses A,B,C,D,E, and F. The DMC-1070 uses A,B,C,D,E,F and G. The DMC-1080 uses the axes A,B,C,D,E,F,G, and H.

The example applications described below will help guide you to the appropriate mode of motion.

1080

For controllers with 5 or more axes, the specifiers, ABCDEFGH, are used. XYZ and W may be interchanged with ABCD.

Independent Axis Positioning

In this mode, motion between the specified axes is independent, and each axis follows its own profile. The user specifies the desired absolute position (PA) or relative position (PR), slew speed (SP), acceleration ramp (AC), and deceleration ramp (DC), for each axis. On begin (BG), the DMC-1000 profiler generates the corresponding trapezoidal or triangular velocity profile and position trajectory. The controller determines a new command position along the trajectory every sample period until the specified profile is complete. Motion is complete when the last position command is sent by the DMC-1000 profiler. Note: The actual motor motion may not be complete when the profile has been completed, however, the next motion command may be specified.

The Begin (BG) command can be issued for all axes either simultaneously or independently. XYZ or W axis specifiers are required to select the axes for motion. When no axes are specified, this causes motion to begin on all axes.

The speed (SP) and the acceleration (AC) can be changed at any time during motion, however, the deceleration (DC) and position (PR or PA) cannot be changed until motion is complete. Remember, motion is complete when the profiler is finished, not when the actual motor is in position. The Stop command (ST) can be issued at any time to decelerate the motor to a stop before it reaches its final position.

An incremental position movement (IP) may be specified during motion as long as the additional move is in the same direction. Here, the user specifies the desired position increment, n. The new target is equal to the old target plus the increment, n. Upon receiving the IP command, a revised profile will be generated for motion towards the new end position. The IP command does not require a begin. Note: If the motor is not moving, the IP command is equivalent to the PR and BG command combination.

Command Summary - Independent Axis

| COMMAND | DESCRIPTION |
|------------|--|
| PR X,Y,Z,W | Specifies relative distance |
| PA x,y,z,w | Specifies absolute position |
| SP x,y,z,w | Specifies slew speed |
| AC x,y,z,w | Specifies acceleration rate |
| DC x,y,z,w | Specifies deceleration rate |
| BG XYZW | Starts motion |
| ST XYZW | Stops motion before end of move |
| IP x,y,z,w | Changes position target |
| IT x,y,z,w | Time constant for independent motion smoothing |
| AM XYZW | Trippoint for profiler complete |
| MC XYZW | Trippoint for "in position" |

The lower case specifiers (x,y,z,w) represent position values for each axis. For controllers with more than 4 axes, the position values would be represented as a,b,c,d,e,f,g,h.

The DMC-1000 also allows use of single axis specifiers such as PRY=2000 or SPH=10000.

Operand Summary - Independent Axis

| OPERAND | DESCRIPTION |
|---------|---|
| _ACx | Return acceleration rate for the axis specified by 'x' |
| _DCx | Return deceleration rate for the axis specified by 'x' |
| _SPx | Returns the speed for the axis specified by 'x' |
| _PAx | Returns current destination if 'x' axis is moving, otherwise returns the current commanded position if in a move. |
| _PRx | Returns current incremental distance specified for the 'x' axis |

Example - Absolute Position Movement

| | |
|--------------------|-------------------------------|
| PA 10000,20000 | Specify absolute X,Y position |
| AC 1000000,1000000 | Acceleration for X,Y |
| DC 1000000,1000000 | Deceleration for X,Y |
| SP 50000,30000 | Speeds for X,Y |
| BG XY | Begin motion |

Example - Multiple Move Sequence

Required Motion Profiles:

| | | |
|--------|--------------------------------|--------------|
| X-Axis | 500 counts | Position |
| | 10000 count/sec | Speed |
| | 500000 counts/sec ² | Acceleration |
| Y-Axis | 1000 counts | Position |
| | 15000 count/sec | Speed |
| | 500000 counts/sec ² | Acceleration |
| Z-Axis | 100 counts | Position |

| | |
|-------------------|--------------|
| 5000 counts/sec | Speed |
| 500000 counts/sec | Acceleration |

This example will specify a relative position movement on X, Y and Z axes. The movement on each axis will be separated by 20 msec. Fig. 6.1 shows the velocity profiles for the X,Y and Z axis.

| | |
|-------------------------|--|
| #A | Begin Program |
| PR 2000,500,100 | Specify relative position movement of 1000, 500 and 100 counts for X,Y and Z axes. |
| SP 15000,10000,5000 | Specify speed of 10000, 15000, and 5000 counts / sec |
| AC 500000,500000,500000 | Specify acceleration of 500000 counts / sec ² for all axes |
| DC 500000,500000,500000 | Specify deceleration of 500000 counts / sec ² for all axes |
| BG X | Begin motion on the X axis |
| WT 20 | Wait 20 msec |
| BG Y | Begin motion on the Y axis |
| WT 20 | Wait 20 msec |
| BG Z | Begin motion on Z axis |
| EN | End Program |

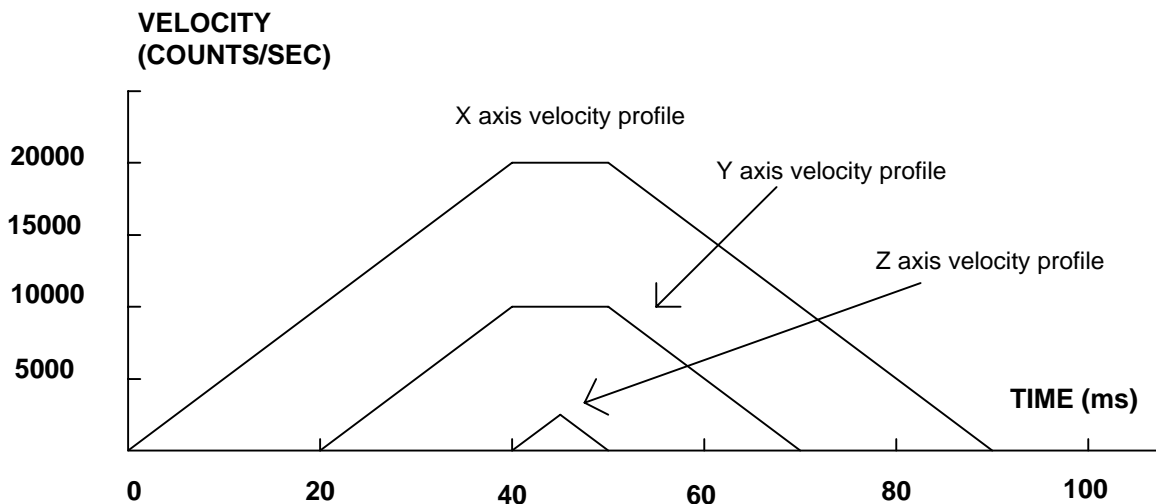


Figure 6.1 - Velocity Profiles of XYZ

Notes on fig 6.1: The X and Y axis have a ‘trapezoidal’ velocity profile, while the Z axis has a ‘triangular’ velocity profile. The X and Y axes accelerate to the specified speed, move at this constant speed, and then decelerate such that the final position agrees with the command position, PR. The Z axis accelerates, but before the specified speed is achieved, must begin deceleration such that the axis will stop at the commanded position. All 3 axes have the same acceleration and deceleration rate, hence, the slope of the rising and falling edges of all 3 velocity profiles are the same.

Independent Jogging

The jog mode of motion allows the user to change speed, direction and acceleration during motion. The user specifies the jog speed (JG), acceleration (AC), and the deceleration (DC) rate for each axis.

The direction of motion is specified by the sign of the JG parameters. When the begin command is given (BG), the motor accelerates up to speed and continues to jog at that speed until a new speed or stop (ST) command is issued. If the jog speed is changed during motion, the controller will make a accelerated (or decelerated) change to the new speed.

An instant change to the motor position can be made with the use of the IP command. Upon receiving this command, the controller commands the motor to a position which is equal to the specified increment plus the current position. This command is useful when trying to synchronize the position of two motors while they are moving.

Note that the controller operates as a closed-loop position controller while in the jog mode. The DMC-1000 converts the velocity profile into a position trajectory and a new position target is generated every sample period. This method of control results in precise speed regulation with phase lock accuracy.

Command Summary - Jogging

| COMMAND | DESCRIPTION |
|---------------|--|
| AC x,y,z,w | Specifies acceleration rate |
| BG X,Y,Z,W | Begins motion |
| DC x,y,z,w | Specifies deceleration rate |
| IP x,y,z,w | Increments position instantly |
| IT x,y,z,w | Time constant for independent motion smoothing |
| JG +/-x,y,z,w | Specifies jog speed and direction |
| ST XYZW | Stops motion |

Parameters can be set with individual axes specifiers such as JGY+2000(set jog speed for X axis to 2000) or ACYH=40000 (set acceleration for Y and H axes to 400000) .

Operand Summary - Independent Axis

| OPERAND | DESCRIPTION |
|---------|--|
| _ACx | Return acceleration rate for the axis specified by 'x' |
| _DCx | Return deceleration rate for the axis specified by 'x' |
| _SPx | Returns the jog speed for the axis specified by 'x' |
| _TVx | Returns the actual velocity of the axis specified by 'x' (averaged over .25 sec) |

Example - Jog in X only

Jog X motor at 50000count/s. After X motor is at its jog speed, begin jogging Z in reverse direction at 25000 count/s.

```
#A
AC 20000,,20000      Specify X,Z acceleration of 20000 cts/sec
DC 20000,,20000      Specify X,Z deceleration of 20000 cts/sec
JG 50000,,-25000     Specify jog speed and direction for X and Z axis
BG XY                Begin X motion
AS X                 Wait until X is at speed
BG Z                 Begin Z motion
EN
```

Example - Joystick jogging

The jog speed can also be changed using an analog input such as a joystick. Assume that for a 10 Volt input the speed must be 50000 counts/sec.

| | |
|---------------------|-------------------|
| #JOY | Label |
| JG0 | Set in Jog Mode |
| BGX | Begin motion |
| #B | Label for Loop |
| V1 = @AN[1] | Read analog input |
| VEL = V1*50000/2047 | Compute speed |
| JG VEL | Change JG speed |
| JP #B | Loop |

Linear Interpolation Mode

The DMC-1000 provides a linear interpolation mode for 2 or more axes (up to 8 axes for the DMC-1080). In linear interpolation mode, motion between the axes is coordinated to maintain the prescribed vector speed, acceleration, and deceleration along the specified path. The motion path is described in terms of incremental distances for each axis. An unlimited number of incremental segments may be given in a continuous move sequence, making the linear interpolation mode ideal for following a piece-wise linear path. There is no limit to the total move length.

The LM command selects the Linear Interpolation mode and axes for interpolation. For example, LM YZ selects only the Y and Z axes for linear interpolation.

When using the linear interpolation mode, the LM command only needs to be specified once unless the axes for linear interpolation change.

Specifying Linear Segments

The command LI x,y,z,w or LI a,b,c,d,e,f,g,h specifies the incremental move distance for each axis. This means motion is prescribed with respect to the current axis position. Up to 511 incremental move segments may be given prior to the Begin Sequence (BGS) command. Once motion has begun, additional LI segments may be sent to the controller.

The clear sequence (CS) command can be used to remove LI segments stored in the buffer prior to the start of the motion. To stop the motion, use the instructions STS or AB. The command, ST, causes a decelerated stop. The command, AB, causes an instantaneous stop and aborts the program, and the command AB1 aborts the motion only.

The Linear End (LE) command must be used to specify the end of a linear move sequence. This command tells the controller to decelerate to a stop following the last LI command. If an LE command is not given, an Abort AB1 must be used to abort the motion sequence.

It is the responsibility of the user to keep enough LI segments in the DMC-1000 sequence buffer to ensure continuous motion. If the controller receives no additional LI segments and no LE command, the controller will stop motion instantly at the last vector. There will be no controlled deceleration. LM? or _LM returns the available spaces for LI segments that can be sent to the buffer. 511 returned means the buffer is empty and 511 LI segments can be sent. A zero means the buffer is full and no additional segments can be sent. As long as the buffer is not full, additional LI segments can be sent at PC bus speeds.

The instruction _CS returns the segment counter. As the segments are processed, _CS increases, starting at zero. This function allows the host computer to determine which segment is being processed.

Specifying Vector Acceleration, Deceleration and Speed:

The commands VS n, VA n, and VD n are used to specify the vector speed, acceleration and deceleration. The DMC-1000 computes the vector speed based on the axes specified in the LM mode. For example, LM XYZ designates linear interpolation for the X,Y and Z axes. The vector speed for this example would be computed using the equation:

$$VS^2 = XS^2 + YS^2 + ZS^2, \text{ where } XS, YS \text{ and } ZS \text{ are the speed of the X,Y and Z axes.}$$

The controller always uses the axis specifications from LM, not LI, to compute the speed.

In cases where the acceleration causes the system to 'jerk', the DMC-1000 provides a vector motion smoothing function. VT is used to set the S-curve smoothing constant for coordinated moves.

Additional Commands

The DMC-1000 provides commands for additional control of vector motion and program control.

Note: Many of the commands used in Linear Interpolation motion also applies Vector motion described in the next section.

Trippoints

The command AV n is the 'After Vector' trippoint, which halts program execution until the vector distance of n has been reached.

In this example, the XY system is required to perform a 90° turn. In order to slow the speed around the corner, we use the AV 4000 trippoint, which slows the speed to 1000 count/s. Once the motors reach the corner, the speed is increased back to 4000 cts / s.

| Instruction | Interpretation |
|--------------------|--|
| #LMOVE | Label |
| DP ,,0,0 | Define position of Z and W axes to be 0 |
| LMXY | Define linear mode between X and Y axes. |
| LI 5000,0 | Specify first linear segment |
| LI 0,5000 | Specify second linear segment |
| LE | End linear segments |
| VS 4000 | Specify vector speed |
| BGS | Begin motion sequence |
| AV 4000 | Set trippoint to wait until vector distance of 4000 is reached |
| VS 1000 | Change vector speed |
| AV 5000 | Set trippoint to wait until vector distance of 5000 is reached |
| VS 4000 | Change vector speed |
| EN | Program end |

Specifying Vector Speed for Each Segment

The instruction VS has an immediate effect and, therefore, must be given at the required time. In some applications, such as CNC, it is necessary to attach various speeds to different motion segments. This can be done by the instruction

LI x,y,z,w < n

This instruction attaches the vector speed, n, to the motion segment LI. As a consequence, the program #LMOVE can be written in the alternative form:

| Instruction | Interpretation |
|------------------|---|
| #ALT | Label for alternative program |
| DP 0,0 | Define Position of X and Y axis to be 0 |
| LMXY | Define linear mode between X and Y axes. |
| LI 4000,0 <4000 | Specify first linear segment with a vector speed of 4000 |
| LI 1000,0 < 1000 | Specify second linear segment with a vector speed of 1000 |
| LI 0,5000 < 4000 | Specify third linear segment with a vector speed of 4000 |
| LE | End linear segments |
| BGS | Begin motion sequence |
| EN | Program end |

Changing Feedrate:

The command VR n allows the feedrate, VS, to be scaled between 0 and 10 with a resolution of .0001. This command takes effect immediately and causes VS to be scaled. VR also applies when the vector speed is specified with the '<' operator. This is a useful feature for feedrate override. VR does not ratio the accelerations. For example, VR .5 results in the specification VS 2000 to be divided in half.

Command Summary - Linear Interpolation

| COMMAND | DESCRIPTION |
|--|---|
| LM xyzw | Specify axes for linear interpolation |
| LM abcdefgh | (same) controllers with 5 or more axes |
| LM? | Returns number of available spaces for linear segments in DMC-1000 sequence buffer. Zero means buffer full. 512 means buffer empty. |
| LI x,y,z,w < n LI a,b,c,d,e,f,g,h < n | Specify incremental distances relative to current position, and assign vector speed n. |
| VS n | Specify vector speed |
| VA n | Specify vector acceleration |
| VD n | Specify vector deceleration |
| VR n | Specify the vector speed ratio |
| BGS | Begin Linear Sequence |
| CS | Clear sequence |
| LE | Linear End- Required at end of LI command sequence |
| LE? | Returns the length of the vector (resets after 2147483647) |
| AMS | Trippoint for After Sequence complete |
| AV n | Trippoint for After Relative Vector distance,n |
| VT | S curve smoothing constant for vector moves |

Operand Summary - Linear Interpolation

| OPERAND | DESCRIPTION |
|---------|-------------|
|---------|-------------|

| | |
|------|---|
| _AV | Return distance traveled |
| _CS | Segment counter - returns number of the segment in the sequence, starting at zero. |
| _LE | Returns length of vector (resets after 2147483647) |
| _LM | Returns number of available spaces for linear segments in DMC-1000 sequence buffer. Zero means buffer full. 512 means buffer empty. |
| _VPm | Return the absolute coordinate of the last data point along the trajectory. (m=X,Y,Z or W or A,B,C,D,E,F,G or H) |

To illustrate the ability to interrogate the motion status, consider the first motion segment of our example, #LMOVE, where the X axis moves toward the point X=5000. Suppose that when X=3000, the controller is interrogated using the command 'MG _AV'. The returned value will be 3000. The value of _CS, _VPX and _VPY will be zero.

Now suppose that the interrogation is repeated at the second segment when Y=2000. The value of _AV at this point is 7000, _CS equals 1, _VPX=5000 and _VPY=0.

Example - Linear Move

Make a coordinated linear move in the ZW plane. Move to coordinates 40000,30000 counts at a vector speed of 100000 counts/sec and vector acceleration of 1000000 counts/sec².

| Instruction | Interpretation |
|--------------------|---------------------------------------|
| #TEST | Label |
| LM ZW | Specify axes for linear interpolation |
| LI,,40000,30000 | Specify ZW distances |
| LE | Specify end move |
| VS 100000 | Specify vector speed |
| VA 1000000 | Specify vector acceleration |
| VD 1000000 | Specify vector deceleration |
| BGS | Begin sequence |
| AMS | After motion sequence ends |
| EN | End program |

Note that the above program specifies the vector speed, VS, and not the actual axis speeds VZ and VW. The axis speeds are determined by the DMC-1000 from:

$$VS = \sqrt{VZ^2 + VW^2}$$

The resulting profile is shown in Figure 6.2.

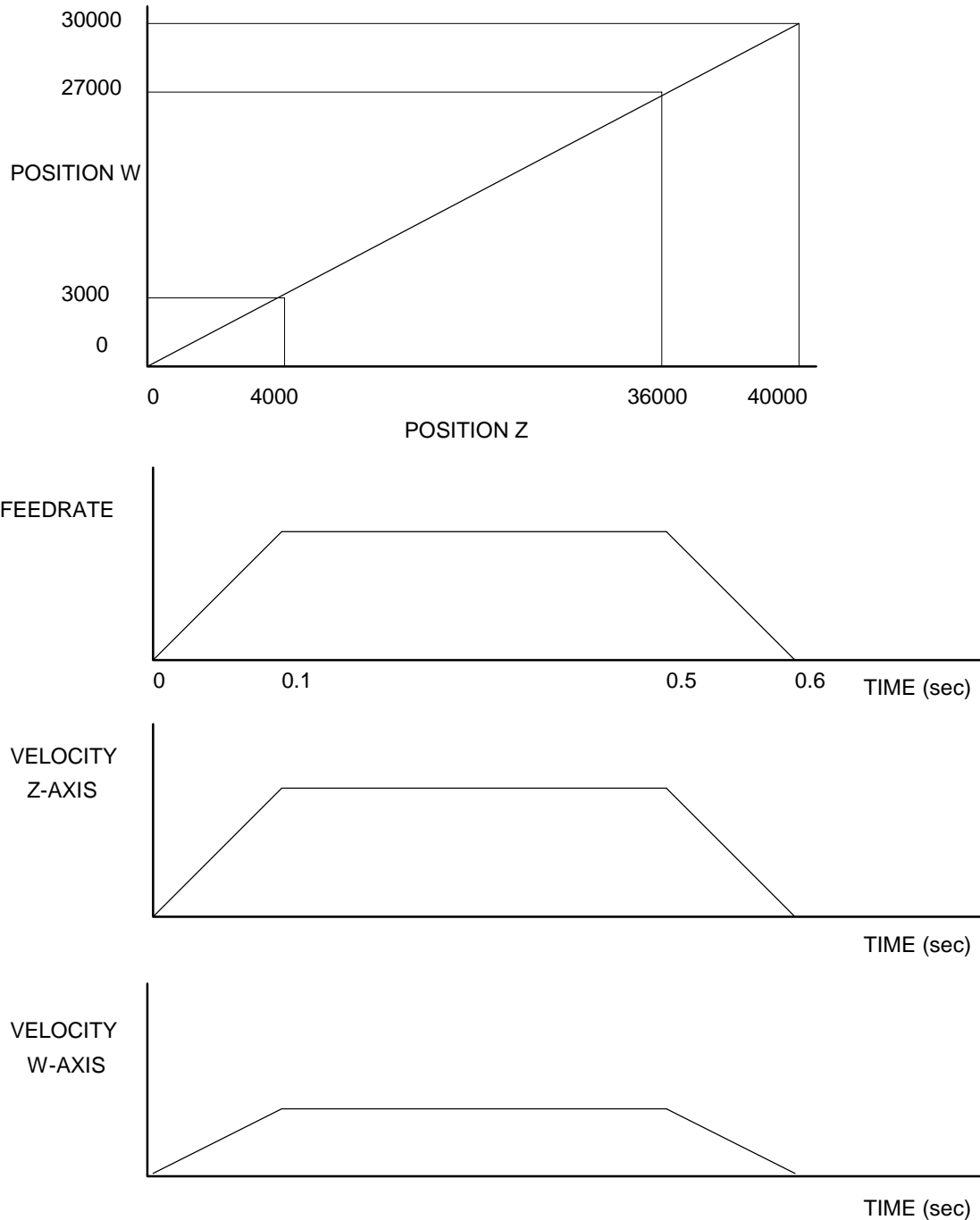


Figure 6.2 - Linear Interpolation

Example - Multiple Moves

This example makes a coordinated linear move in the XY plane. The Arrays VX and VY are used to store 750 incremental distances which are filled by the program #LOAD.

| Instruction | Interpretation |
|----------------------|----------------|
| #LOAD | Load Program |
| DM VX [750],VY [750] | Define Array |

| | |
|-----------------------|---------------------------------|
| COUNT=0 | Initialize Counter |
| N=0 | Initialize position increment |
| #LOOP | LOOP |
| VX [COUNT]=N | Fill Array VX |
| VY [COUNT]=N | Fill Array VY |
| N=N+10 | Increment position |
| COUNT=COUNT+1 | Increment counter |
| JP #LOOP,COUNT<750 | Loop if array not full |
| #A | Label |
| LM XY | Specify linear mode for XY |
| COUNT=0 | Initialize array counter |
| #LOOP2;JP#LOOP2,_LM=0 | If sequence buffer full, wait 0 |
| JS#C,COUNT=500 | Begin motion on 500th segment |
| LI | Specify linear segment |
| VX[COUNT],VY[COUNT] | |
| COUNT=COUNT+1 | Increment array counter |
| JP #LOOP2,COUNT<750 | Repeat until array done |
| LE | End Linear Move |
| AMS | After Move sequence done |
| MG "DONE" | Send Message |
| EN | End program |
| #C;BGS;EN | Begin Motion Subroutine |

Vector Mode: Linear and Circular Interpolation Motion

The DMC-1000 allows a long 2-D path consisting of linear and arc segments to be prescribed. Motion along the path is continuous at the prescribed vector speed even at transitions between linear and circular segments. The DMC-1000 performs all the complex computations of linear and circular interpolation, freeing the host PC from this time intensive task.

The coordinated motion mode is similar to the linear interpolation mode. Any pair of two axes may be selected for coordinated motion consisting of linear and circular segments. In addition, a third axis can be controlled such that it remains tangent to the motion of the selected pair of axes. Note that only one pair of axes can be specified for coordinated motion at any given time.

The command VM m,n,p where 'm' and 'n' are the coordinated pair and p is the tangent axis (Note: the commas which separate m,n and p are not necessary). For example, VM XWZ selects the XW axes for coordinated motion and the Z-axis as the tangent.

Specifying Vector Segments

The motion segments are described by two commands; VP for linear segments and CR for circular segments. Once a set of linear segments and/or circular segments have been specified, the sequence is ended with the command VE. This defines a sequence of commands for coordinated motion. Immediately prior to the execution of the first coordinated movement, the controller defines the current position to be zero for all movements in a sequence. Note: This 'local' definition of zero does not affect the absolute coordinate system or subsequent coordinated motion sequences.

The command, VP xy specifies the coordinates of the end points of the vector movement with respect to the starting point. The command, CR r,q,d define a circular arc with a radius r, starting angle of q, and a traversed angle d. The notation for q is that zero corresponds to the positive horizontal direction, and for both q and d, the counter-clockwise (CCW) rotation is positive.

Up to 511 segments of CR or VP may be specified in a single sequence and must be ended with the command VE. The motion can be initiated with a Begin Sequence (BGS) command. Once motion starts, additional segments may be added.

The Clear Sequence (CS) command can be used to remove previous VP and CR commands which were stored in the buffer prior to the start of the motion. To stop the motion, use the instructions STS or AB1. ST stops motion at the specified deceleration. AB1 aborts the motion instantaneously.

The Vector End (VE) command must be used to specify the end of the coordinated motion. This command requires the controller to decelerate to a stop following the last motion requirement. If a VE command is not given, an Abort (AB1) must be used to abort the coordinated motion sequence.

It is the responsibility of the user to keep enough motion segments in the DMC-1000 sequence buffer to ensure continuous motion. If the controller receives no additional motion segments and no VE command, the controller will stop motion instantly at the last vector. There will be no controlled deceleration. LM? or _LM returns the available spaces for motion segments that can be sent to the buffer. 511 returned means the buffer is empty and 511 segments can be sent. A zero means the buffer is full and no additional segments can be sent. As long as the buffer is not full, additional segments can be sent at PC bus speeds.

The operand _CS can be used to determine the value of the segment counter.

Specifying Vector Acceleration, Deceleration and Speed:

The commands VS n, VA n, and VD n are used to specify the vector speed, acceleration and deceleration. The DMC-1000 computes the vector speed based on the two axes specified in the VM mode. For example, VM YZ designates vector mode for the Y and Z axes. The vector speed for this example would be computed using the equation:

$VS^2 = YS^2 + ZS^2$, where YS and ZS are the speed of the Y and Z axes.

In cases where the acceleration causes the system to 'jerk', the DMC-1000 provides a vector motion smoothing function. VT is used to set the S-curve smoothing constant for coordinated moves.

Additional Commands

The DMC-1000 provides commands for additional control of vector motion and program control. Note: Many of the commands used in Vector Mode motion also applies Linear Interpolation motion described in the previous section.

Trippoints

The command AV n is the 'After Vector' trippoint, which halts program execution until the vector distance of n has been reached.

Specifying Vector Speed for Each Segment

The vector speed may be specified by the immediate command VS. It can also be attached to a motion segment with the instructions

VP x,y, < n

CR r,θ,δ < n

| | |
|---------------|--|
| WT50 | Wait 50 msec for the knife to engage |
| BGS | Do the circular cut |
| AMS | After the coordinated move is complete |
| CBO | Disengage knife |
| MG "ALL DONE" | |
| EN | End program |

Command Summary - Vector Mode Motion

| COMMAND | DESCRIPTION |
|-------------|---|
| VM m,n | Specifies the axes for the planar motion where m and n represent the planar axes and p is the tangent axis. |
| VP m,n | Return coordinate of last point, where m=X,Y,Z or W. |
| CR r,Θ, ±ΔΘ | Specifies arc segment where r is the radius, Θ is the starting angle and ΔΘ is the travel angle. Positive direction is CCW. |
| VS n | Specify vector speed or feedrate of sequence. |
| VA n | Specify vector acceleration along the sequence. |
| VD n | Specify vector deceleration along the sequence. |
| VR n | Specify vector speed ratio |
| BGS | Begin motion sequence. |
| CS | Clear sequence. |
| AV n | Trippoint for After Relative Vector distance, n. |
| AMS | Holds execution of next command until Motion Sequence is complete. |
| TN m,n | Tangent scale and offset. |
| ES m,n | Ellipse scale factor. |
| VT | S curve smoothing constant for coordinated moves |
| LM? | Return number of available spaces for linear and circular segments in DMC-1000 sequence buffer. Zero means buffer is full. 512 means buffer is empty. |

Operand Summary - Vector Mode Motion

| OPERAND | DESCRIPTION |
|---------|--|
| _VPM | The absolute coordinate of the axes at the last intersection along the sequence. |
| _AV | Distance traveled. |
| _LM | Number of available spaces for linear and circular segments in DMC-1000 sequence buffer. Zero means buffer is full. 512 means buffer is empty. |
| _CS | Segment counter - Number of the segment in the sequence, starting at zero. |

When AV is used as an operand, _AV returns the distance traveled along the sequence.

The operands _VPX and _VPY can be used to return the coordinates of the last point specified along the path.

Example:

Traverse the path shown in Fig. 6.3. Feedrate is 20000 counts/sec. Plane of motion is XY

| Instruction | Interpretation |
|------------------|-----------------------------|
| VM XY | Specify motion plane |
| VS 20000 | Specify vector speed |
| VA 1000000 | Specify vector acceleration |
| VD 1000000 | Specify vector deceleration |
| VP -4000,0 | Segment AB |
| CR 1500,270,-180 | Segment BC |
| VP 0,3000 | Segment CD |
| CR 1500,90,-180 | Segment DA |
| VE | End of sequence |
| BGS | Begin Sequence |

The resulting motion starts at the point A and moves toward points B, C, D, A. Suppose that we interrogate the controller when the motion is halfway between the points A and B.

The value of $_AV$ is 2000

The value of $_CS$ is 0

$_VPX$ and $_VPY$ contain the absolute coordinate of the point A

Suppose that the interrogation is repeated at a point, halfway between the points C and D.

The value of $_AV$ is $4000+1500\pi+2000=10,712$

The value of $_CS$ is 2

$_VPX, _VPY$ contain the coordinates of the point C

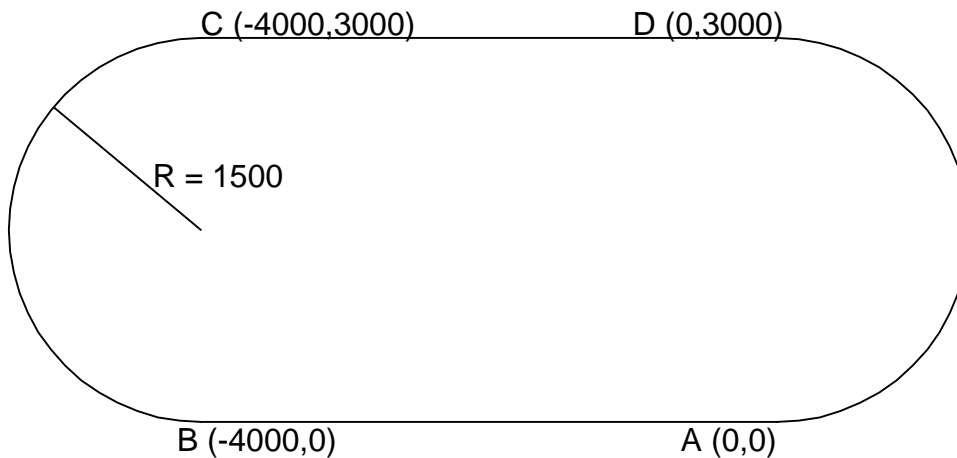


Figure 6.3 - The Required Path

Electronic Gearing

This mode allows up to 8 axes to be electronically geared to one master axis. The master may rotate in both directions and the geared axes will follow at the specified gear ratio. The gear ratio may be different for each axis and changed during motion.

The command GAX or GAY or GAZ or GAW (or GAA or GAB or GAC or GAD or GAE or GAF or GAG or GAH for DMC-1080) specifies the master axis. There may only be one master. GR x,y,z,w specifies the gear ratios for the slaves where the ratio may be a number between +/-127.9999 with a

fractional resolution of .0001. GR 0,0,0 turns off electronic gearing for any set of axes. A limit switch will also disable electronic gearing for that axis. GR causes the specified axes to be geared to the actual position of the master. The master axis is commanded with motion commands such as PR, PA or JG.

When the master axis is driven by the controller in the jog mode or an independent motion mode, it is possible to define the master as the command position of that axis, rather than the actual position. The designation of the commanded position master is by the letter, C. For example, GACX indicates that the gearing is the commanded position of X.

An alternative gearing method is to synchronize the slave motor to the commanded vector motion of several axes performed by GAS. For example, if the X and Y motor form a circular motion, the Z axis may move in proportion to the vector move. Similarly, if X,Y and Z perform a linear interpolation move, W can be geared to the vector move.

Electronic gearing allows the geared motor to perform a second independent or coordinated move in addition to the gearing. For example, when a geared motor follows a master at a ratio of 1:1, it may be advanced an additional distance with PR, or JG, commands, or VP, or LI.

Command Summary - Electronic Gearing

| COMMAND | DESCRIPTION |
|--------------------|--|
| GA n | Specifies master axis for gearing where: n = X,Y,Z or W or A,B,C,D,E,F,G,H for main encoder as master |
| | n = XC,YC,ZC or WC or AC, BC, CC, DC, EC, FC,GC,HC for commanded position. |
| | n = DX,DY,DZ or DW or DA, DB, DC, DD, DE, DF,DG,DH for auxiliary encoders |
| | n = S vector move as master |
| GR x,y,z,w | Sets gear ratio for slave axes. 0 disables electronic gearing for specified axis. |
| GR a,b,c,d,e,f,g,h | Sets gear ratio for slave axes. 0 disables electronic gearing for specified axis. |
| MR x,y,z,w | Trippoint for reverse motion past specified value. Only one field may be used. |
| MF x,y,z,w | Trippoint for forward motion past specified value. Only one field may be used. |

Operand Summary - Electronic Gearing

| COMMAND | DESCRIPTION |
|--------------------|--|
| GA n | Specifies master axis for gearing where: n = X,Y,Z or W or A,B,C,D,E,F,G,H for main encoder as master |
| | n = XC,YC,ZC or WC or AC, BC, CC, DC, EC, FC,GC,HC for commanded position. |
| | n = DX,DY,DZ or DW or DA, DB, DC, DD, DE, DF,DG,DH for auxiliary encoders |
| | n = S vector move as master |
| GR x,y,z,w | Sets gear ratio for slave axes. 0 disables electronic gearing for specified axis. |
| GR a,b,c,d,e,f,g,h | Sets gear ratio for slave axes. 0 disables electronic gearing for specified axis. |
| MR x,y,z,w | Trippoint for reverse motion past specified value. Only one field may be used. |
| MF x,y,z,w | Trippoint for forward motion past specified value. Only one field may be used. |

Example - Simple Master Slave

Master axis moves 10000 counts at slew speed of 100000 counts/sec. Y is defined as the master. X,Z,W are geared to master at ratios of 5,-.5 and 10 respectively.

GAY Specify master axes as Y

| | |
|-------------|--------------------|
| GR 5,-.5,10 | Set gear ratios |
| PR ,10000 | Specify Y position |
| SP ,100000 | Specify Y speed |
| BGY | Begin motion |

Example - Electronic Gearing

Objective: Run two geared motors at speeds of 1.132 and -0.045 times the speed of an external master. The master is driven at speeds between 0 and 1800 RPM (2000 counts/rev encoder).

Solution: Use a DMC-1030 controller, where the Z-axis is the master and X and Y are the geared axes.

| | |
|----------------|---------------------------------|
| MO Z | Turn Z off, for external master |
| GA Z | Specify master axis |
| GR 1.132,-.045 | Specify gear ratios |

Now suppose the gear ratio of the X-axis is to change on-the-fly to 2. This can be achieved by commanding:

| | |
|------|---------------------------------------|
| GR 2 | Specify gear ratio for X axis to be 2 |
|------|---------------------------------------|

In applications where both the master and the follower are controlled by the DMC-1000 controller, it may be desired to synchronize the follower with the commanded position of the master, rather than the actual position. This eliminates the coupling between the axes which may lead to oscillations.

For example, assume that a gantry is driven by two axes, X,Y, on both sides. The X-axis is the master and the Y-axis is the follower. To synchronize Y with the commanded position of X, use the instructions:

| | |
|---------|---|
| GA XC | Specify master as commanded position of X |
| GR,1 | Set gear ratio for Y as 1:1 |
| PR 3000 | Command X motion |
| BG X | Start motion on X axis |

You may also perform profiled position corrections in the electronic gearing mode. Suppose, for example, that you need to advance the slave 10 counts. Simply command

| | |
|--------|---|
| IP ,10 | Specify an incremental position movement of 10 on Y axis. |
|--------|---|

Under these conditions, this IP command is equivalent to:

| | |
|-------|--|
| PR,10 | Specify position relative movement of 10 on Y axis |
| BGY | Begin motion on Y axis |

Often the correction is quite large. Such requirements are common when synchronizing cutting knives or conveyor belts.

Example - Synchronize two conveyor belts with trapezoidal velocity correction.

| | |
|-----------|---------------------------------|
| GAX | Define master axis as X |
| GR,2 | Set gear ratio 2:1 for Y |
| PR,300 | Specify correction distance |
| SP,5000 | Specify correction speed |
| AC,100000 | Specify correction acceleration |
| DC,100000 | Specify correction deceleration |
| BGY | Start correction |

Electronic Cam

The electronic cam is a motion control mode which enables the periodic synchronization of several axes of motion. Up to 7 axes can be slaved to one master axis. The master axis encoder must be input through a main encoder port.

The electronic cam is a more general type of electronic gearing which allows a table-based relationship between the axes. It allows synchronizing all the controller axes. For example, the DMC-1080 controller may have one master and up to seven slaves. To simplify the presentation, we will limit the description to a 4-axis controller.

To illustrate the procedure of setting the cam mode, consider the cam relationship for the slave axis Y, when the master is X. Such a graphic relationship is shown in Figure 6.8.

Step 1. Selecting the master axis

The first step in the electronic cam mode is to select the master axis. This is done with the instruction

EAp where p = X,Y,Z,W
p is the selected master axis

Step 2. Specify the master cycle and the change in the slave axis (es).

In the electronic cam mode, the position of the master is always expressed modulo one cycle. In this example, the position of x is always expressed in the range between 0 and 6000. Similarly, the slave position is also redefined such that it starts at zero and ends at 1500. At the end of a cycle when the master is 6000 and the slave is 1500, the positions of both x and y are redefined as zero. To specify the master cycle and the slave cycle change, we use the instruction EM.

EM x,y,z,w

where x,y,z,w specify the cycle of the master and the total change of the slaves over one cycle.

The cycle of the master is limited to 8,388,607 whereas the slave change per cycle is limited to 2,147,483,647. If the change is a negative number, the absolute value is specified. For the given example, the cycle of the master is 6000 counts and the change in the slave is 1500. Therefore, we use the instruction:

EM 6000,1500

Step 3. Specify the master interval and starting point.

Next we need to construct the ECAM table. The table is specified at uniform intervals of master positions. Up to 256 intervals are allowed. The size of the master interval and the starting point are specified by the instruction:

EP m,n

where m is the interval width in counts, and n is the starting point.

For the given example, we can specify the table by specifying the position at the master points of 0, 2000, 4000 and 6000. We can specify that by

EP 2000,0

Step 4. Specify the slave positions.

Next, we specify the slave positions with the instruction

ET[n]=x,y,z,w

where n indicates the order of the point.

The value, n, starts at zero and may go up to 256. The parameters x,y,z,w indicate the corresponding slave position. For this example, the table may be specified by

ET[0]=,0

ET[1]=,3000

ET[2]=,2250

ET[3]=,1500

This specifies the ECAM table.

Step 5. Enable the ECAM

To enable the ECAM mode, use the command

EB n

where n=1 enables ECAM mode and n=0 disables ECAM mode.

Step 6. Engage the slave motion

To engage the slave motion, use the instruction

EG x,y,z,w

where x,y,z,w are the master positions at which the corresponding slaves must be engaged.

If the value of any parameter is outside the range of one cycle, the cam engages immediately. When the cam is engaged, the slave position is redefined, modulo one cycle.

Step 7. Disengage the slave motion

To disengage the cam, use the command

$$EQ\ x,y,z,w$$

where x,y,z,w are the corresponding slave axes are disengaged.

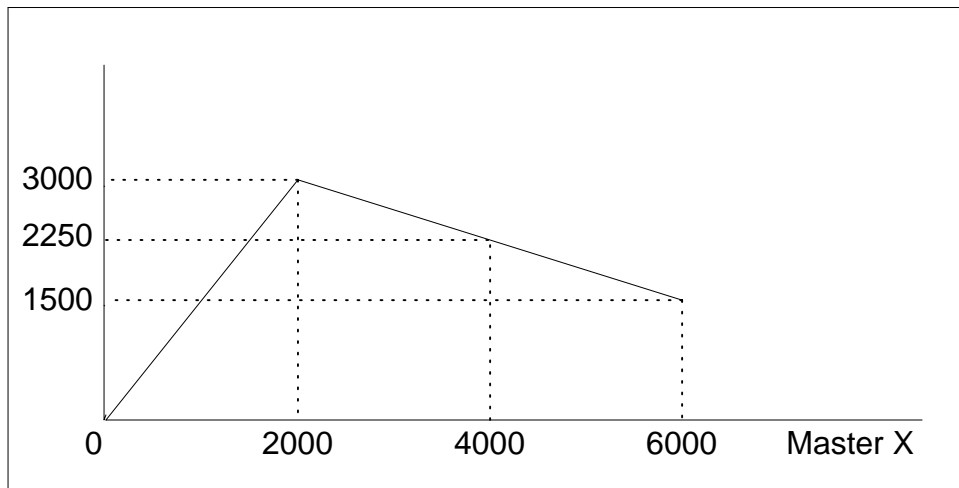


Figure 6.8: Electronic Cam Example

This disengages the slave axis at a specified master position. If the parameter is outside the master cycle, the stopping is instantaneous.

Programmed start and stop can be used only when the master moves forward.

Some Examples

To illustrate the complete process, consider the cam relationship described by the equation:

$$Y = 0.5 * X + 100 \sin (0.18 * X)$$

where X is the master, with a cycle of 2000 counts.

The cam table can be constructed manually, point by point, or automatically by a program. The following program includes the set-up.

The instruction EAX defines X as the master axis. The cycle of the master is 2000. Over that cycle, X varies by 1000. This leads to the instruction EM 2000,1000.

Suppose we want to define a table with 100 segments. This implies increments of 20 counts each. If the master points are to start at zero, the required instruction is EP 20,0.

The following routine computes the table points. As the phase equals $0.18X$ and X varies in increments of 20, the phase varies by increments of 3.6° . The program then computes the values of Y according to the equation and assigns the values to the table with the instruction ET[N] = ,Y.

| Instruction | Interpretation |
|----------------------------|---------------------------------------|
| <i>#SETUP</i> | Label |
| <i>EAX</i> | Select X as master |
| <i>EM 2000,1000</i> | Cam cycles |
| <i>EP 20,0</i> | Master position increments |
| <i>N = 0</i> | Index |
| <i>#LOOP</i> | Loop to construct table from equation |
| <i>P = N*3.6</i> | Note $3.6 = 0.18*20$ |
| <i>S = @SIN [P] *100</i> | Define sine position |
| <i>Y = N *10+S</i> | Define slave position |
| <i>ET [N] = , Y</i> | Define table |
| <i>N = N+1</i> | |
| <i>JP #LOOP, N<=100</i> | Repeat the process |
| <i>EN</i> | |

Now suppose that the slave axis is engaged with a start signal, input 1, but that both the engagement and disengagement points must be done at the center of the cycle: X = 1000 and Y = 500. This implies that Y must be driven to that point to avoid a jump.

This is done with the program:

| Instruction | Interpretation |
|--------------------|-----------------------|
| <i>#RUN</i> | Label |
| <i>EB1</i> | Enable cam |
| <i>PA,500</i> | starting position |
| <i>SP,5000</i> | Y speed |
| <i>BGY</i> | Move Y motor |
| <i>AM</i> | After Y moved |
| <i>A11</i> | Wait for start signal |
| <i>EG,1000</i> | Engage slave |
| <i>AI - 1</i> | Wait for stop signal |
| <i>EQ,1000</i> | Disengage slave |

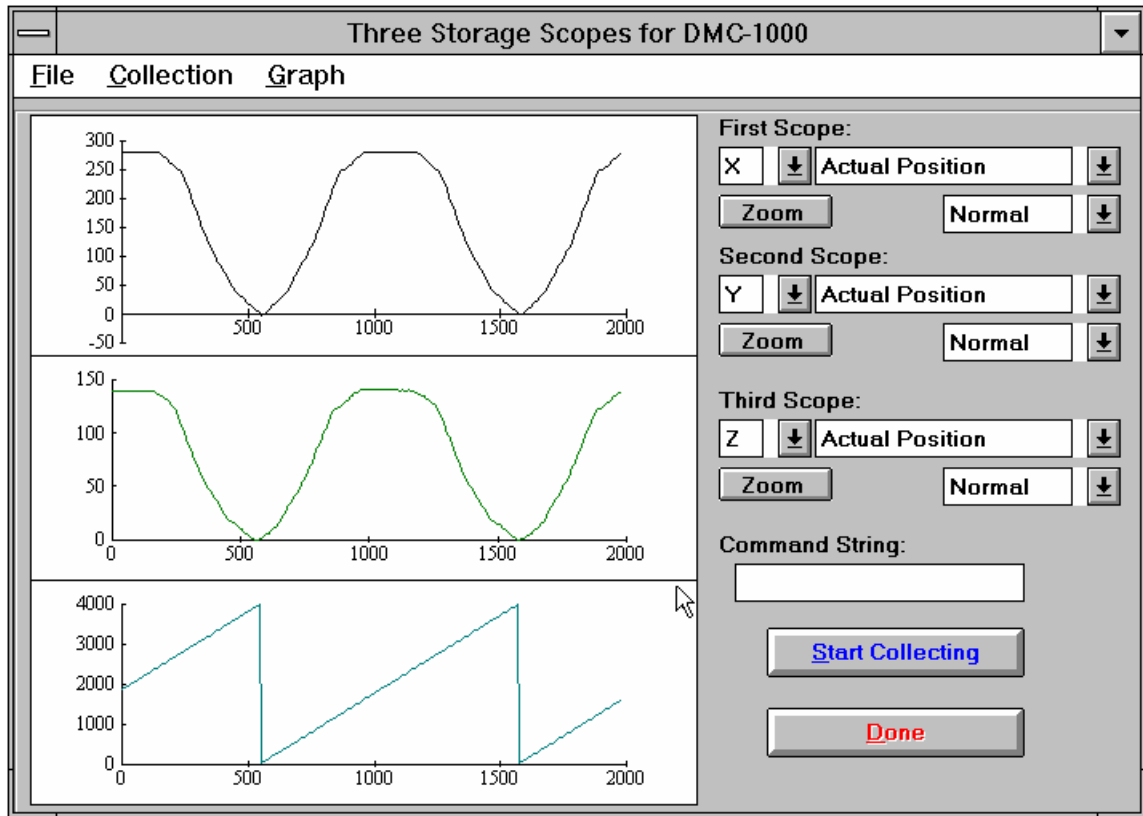
EN

End

The following example illustrates a cam program with a master axis, Z, and two slaves, X and Y.

| Instruction | Interpretation |
|--------------------|---|
| #A;V1=0 | Label; Initialize variable |
| PA 0,0;BGXY;AMXY | Go to position 0,0 on X and Y axes |
| EA Z | Z axis as the Master for ECAM |
| EM 0,0,4000 | Change for Z is 4000, zero for X, Y |
| EP400,0 | ECAM interval is 400 counts with zero start |
| ET[0]=0,0 | When master is at 0 position; 1st point. |
| ET[1]=40,20 | 2nd point in the ECAM table |
| ET[2]=120,60 | 3rd point in the ECAM table |
| ET[3]=240,120 | 4th point in the ECAM table |
| ET[4]=280,140 | 5th point in the ECAM table |
| ET[5]=280,140 | 6th point in the ECAM table |
| ET[6]=280,140 | 7th point in the ECAM table |
| ET[7]=240,120 | 8th point in the ECAM table |
| ET[8]=120,60 | 9th point in the ECAM table |
| ET[9]=40,20 | 10th point in the ECAM table |
| ET[10]=0,0 | Starting point for next cycle |
| EB 1 | Enable ECAM mode |
| JGZ=4000 | Set Z to jog at 4000 |
| EG 0,0 | Engage both X and Y when Master = 0 |
| BGZ | Begin jog on Z axis |
| #LOOP;JP#LOOP,V1=0 | Loop until the variable is set |
| EQ2000,2000 | Disengage X and Y when Master = 2000 |
| MF,, 2000 | Wait until the Master goes to 2000 |
| ST Z | Stop the Z axis motion |
| EB 0 | Exit the ECAM mode |
| EN | End of the program |

The above example shows how the ECAM program is structured and how the commands can be given to the controller. The next page provides the results captured by the WSDK program. This shows how the motion will be seen during the ECAM cycles. The first graph is for the X axis, the second graph shows the cycle on the Y axis and the third graph shows the cycle of the Z axis.



Contour Mode

The DMC-1000 also provides a contouring mode. This mode allows any arbitrary position curve to be prescribed for 1 to 8 axes. This is ideal for following computer generated paths such as parabolic, spherical or user-defined profiles. The path is not limited to straight line and arc segments and the path length may be infinite.

Specifying Contour Segments

The Contour Mode is specified with the command, CM. For example, CMXZ specifies contouring on the X and Z axes. Any axes that are not being used in the contouring mode may be operated in other modes.

A contour is described by position increments which are described with the command, CD x,y,z,w over a time interval, DT n. The parameter, n, specifies the time interval. The time interval is defined as 2^n ms, where n is a number between 1 and 8. The controller performs linear interpolation between the specified increments, where one point is generated for each millisecond.

Consider, for example, the trajectory shown in Fig. 6.4. The position X may be described by the points:

| | |
|---------|-----------------|
| Point 1 | X=0 at T=0ms |
| Point 2 | X=48 at T=4ms |
| Point 3 | X=288 at T=12ms |
| Point 4 | X=336 at T=28ms |

The same trajectory may be represented by the increments

| | | | |
|-------------|--------|---------|------|
| Increment 1 | DX=48 | Time=4 | DT=2 |
| Increment 2 | DX=240 | Time=8 | DT=3 |
| Increment 3 | DX=48 | Time=16 | DT=4 |

When the controller receives the command to generate a trajectory along these points, it interpolates linearly between the points. The resulting interpolated points include the position 12 at 1 msec, position 24 at 2 msec, etc.

The programmed commands to specify the above example are:

```
#A
CMX           Specifies X axis for contour mode
DT 2         Specifies first time interval, 22 ms
CD 48;WC     Specifies first position increment
DT 3         Specifies second time interval, 23 ms
CD 240;WC    Specifies second position increment
DT 4         Specifies the third time interval, 24 ms
CD 48;WC     Specifies the third position increment
DT0;CD0     Exits contour mode
EN
```

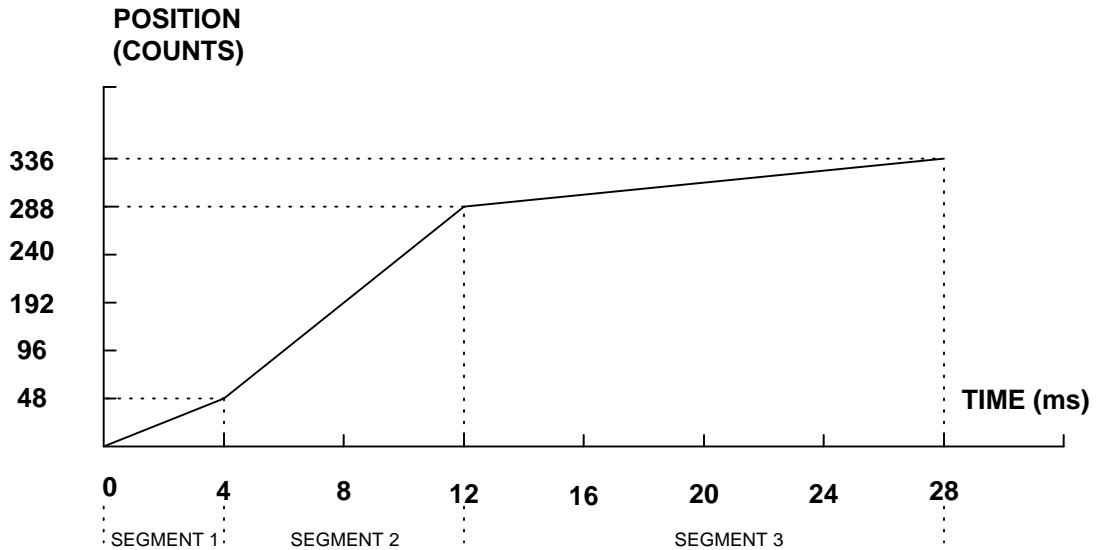


Figure 6.4 - The Required Trajectory

Additional Commands

The command, WC, is used as a trippoint "When Complete". This allows the DMC-1000 to use the next increment only when it is finished with the previous one. Zero parameters for DT followed by zero parameters for CD exit the contour mode.

If no new data record is found and the controller is still in the contour mode, the controller waits for new data. No new motion commands are generated while waiting. If bad data is received, the controller responds with a ?.

Command Summary - Contour Mode

| COMMAND | DESCRIPTION |
|-----------------------|--|
| CM XYZW | Specifies which axes for contouring mode. Any non-contouring axes may be operated in other modes. |
| CM ABCDEFGH | Contour axes for DMC-1080 |
| CD x,y,z,w | Specifies position increment over time interval. Range is +/-32,000. Zero ends contour mode. |
| CD a,b,c,d,e,f,g,h | Position increment data for DMC-1080 |
| DT n | Specifies time interval 2^n msec for position increment, where n is an integer between 1 and 8. Zero ends contour mode. If n does not change, it does not need to be specified with each CD. |
| WC | Waits for previous time interval to be complete before next data record is processed. |

Operand Summary - Contour Mode

| OPERAND | DESCRIPTION |
|---------|-----------------------|
| _CS | Return segment number |

General Velocity Profiles

The Contour Mode is ideal for generating any arbitrary velocity profiles. The velocity profile can be specified as a mathematical function or as a collection of points.

The design includes two parts: Generating an array with data points and running the program.

Generating an Array - An Example

Consider the velocity and position profiles shown in Fig. 6.5. The objective is to rotate a motor a distance of 6000 counts in 120 ms. The velocity profile is sinusoidal to reduce the jerk and the system vibration. If we describe the position displacement in terms of A counts in B milliseconds, we can describe the motion in the following manner:

$$\omega = \frac{A}{B} (1 - \cos(2\pi/B))$$

$$X = \frac{AT}{B} - \frac{A}{2\pi} \sin(2\pi/B)$$

Note: ω is the angular velocity; X is the position; and T is the variable, time, in milliseconds.

In the given example, A=6000 and B=120, the position and velocity profiles are:

$$X = 50T - (6000/2\pi) \sin(2\pi T/120)$$

Note that the velocity, ω , in count/ms, is

$$\omega = 50 [1 - \cos 2\pi T/120]$$

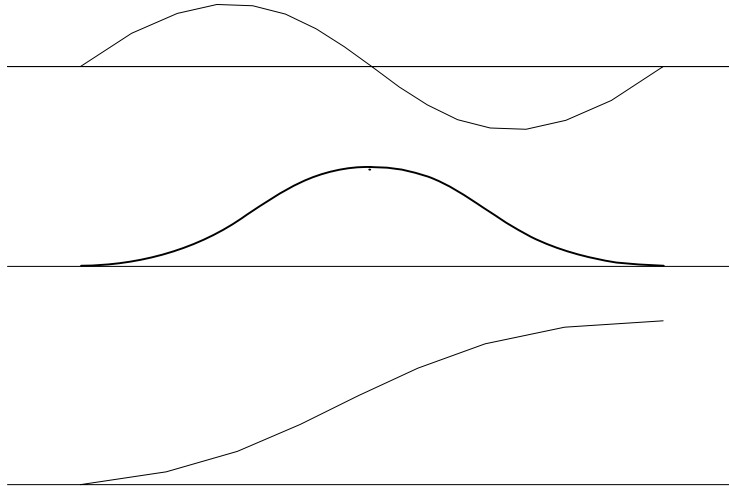


Figure 6.5 - Velocity Profile with Sinusoidal Acceleration

The DMC-1000 can compute trigonometric functions. However, the argument must be expressed in degrees. Using our example, the equation for X is written as:

$$X = 50T - 955 \sin 3T$$

A complete program to generate the contour movement in this example is given below. To generate an array, we compute the position value at intervals of 8 ms. This is stored at the array POS. Then, the difference between the positions is computed and is stored in the array DIF. Finally the motors are run in the contour mode.

Contour Mode Example:

| Instruction | Interpretation |
|---------------------|--------------------------------------|
| #POINTS | Program defines X points |
| DM POS[16] | Allocate memory |
| DM DIF[15] | |
| C=0 | Set initial conditions, C is index |
| T=0 | T is time in ms |
| #A | |
| V1=50*T | |
| V2=3*T | Argument in degrees |
| V3=-955*@SIN[V2]+V1 | Compute position |
| V4=@INT[V3] | Integer value of V3 |
| POS[C]=V4 | Store in array POS |
| T=T+8 | |
| C=C+1 | |
| JP #A,C<16 | |
| #B | Program to find position differences |
| C=0 | |
| #C | |

| | |
|----------------------|----------------------------------|
| D=C+1 | |
| DIF[C]=POS[D]-POS[C] | Compute the difference and store |
| C=C+1 | |
| JP #C,C<15 | |
| EN | End first program |
| #RUN | Program to run motor |
| CMX | Contour Mode |
| DT3 | 4 millisecond intervals |
| C=0 | |
| #E | |
| CD DIF[C] | Contour Distance is in DIF |
| WC | Wait for completion |
| C=C+1 | |
| JP #E,C<15 | |
| DT0 | |
| CD0 | Stop Contour |
| EN | End the program |

Teach (Record and Play-Back)

Several applications require teaching the machine a motion trajectory. Teaching can be accomplished using the DMC-1000 automatic array capture feature to capture position data. The captured data may then be played back in the contour mode. The following array commands are used:

| | |
|------------|---|
| DM C[n] | Dimension array |
| RA C[] | Specify array for automatic record (up to 4 for DMC-1040; 8 for DMC-1080) |
| RD _TPX | Specify data for capturing (such as _TPX or _TPZ) |
| RC n,m | Specify capture time interval where n is 2n msec, m is number of records to be captured |
| RC? or _RC | Returns a 1 if recording |

Record and Playback Example:

| Instruction | Interpretation |
|-----------------------|--|
| #RECORD | Begin Program |
| DPO | Define position for X axis to be 0 |
| DA*[] | De-allocate all arrays |
| DM XPOS [501] | Dimension 501 element array called XPOS |
| RA XPOS [] | Record Elements into XPOS array |
| RD _TPX | Element to be recorded is encoder position of X axis |
| MOX | Motor off for X axis |
| RC2 | Begin Recording with a sample rate of 2 msec |
| #LOOP1;JP#LOOP1,_RC=1 | Loop until all elements have been recorded |
| #COMPUTE | Routine to determine the difference between consecutive points |
| DM DX [500] | Dimension a 500 element array to hold contour points |
| I = 0 | Set loop counter |
| #LOOP2 | Loop to calculate the difference |

| | |
|-------------------------|---|
| DX[I]=XPOS[I+1]-XPOS[I] | Calculate difference |
| I=I+1 | Update loop counter |
| JP#LOOP2,I<500 | Continue looping until DX is full |
| #PLAYBK | Routine to play back motion that was recorded |
| SHX | Servo Here |
| WT1000 | Wait 1 sec (1000 msec) |
| CMX | Specify contour mode on X axis |
| DT2 | Set contour data rate to be 2 msec |
| I=0 | Set array index to 0 |
| #LOOP3 | Subroutine to execute contour points |
| CD DX[I];WC | Contour data command; Wait for next contour point |
| I=I+1 | Update index |
| JP#LOOP3,I<500 | Continue until all array elements have been executed |
| DT0 | Set contour update rate to 0 |
| CD0 | Disable the contour mode (combination of DT0 and CD0) |
| EN | End program |

For additional information about automatic array capture, see Chapter 7, Arrays.

Stepper Motor Operation

When configured for stepper motor operation, several commands are interpreted differently than from servo mode. The following describes operation with stepper motors.

Specifying Stepper Motor Operation

In order to command stepper motor operation, the appropriate stepper mode jumpers must be installed. See chapter 2 for this installation.

Stepper motor operation is specified by the command MT. The argument for MT is as follows:

- 2 specifies a stepper motor with active low step output pulses
- 2 specifies a stepper motor with active high step output pulses
- 2.5 specifies a stepper motor with active low step output pulses and reversed direction
- 2.5 specifies a stepper motor with active high step output pulse and reversed direction

Stepper Motor Smoothing

The command, KS, provides stepper motor smoothing. The effect of the smoothing can be thought of as a simple Resistor-Capacitor (single pole) filter. The filter occurs after the motion profiler and has the effect of smoothing out the spacing of pulses for a more smooth operation of the stepper motor. Use of KS is most applicable when operating in full step or half step operation. KS will cause the step pulses to be delayed in accordance with the time constant specified.

When operating with stepper motors, you will always have some amount of stepper motor smoothing, KS. Since this filtering effect occurs after the profiler, the profiler may be ready for additional moves before all of the step pulses have gone through the filter. It is important to consider this effect since steps may be lost if the controller is commanded to generate an additional move before the previous move has been completed. See the discussion below, *Monitoring Generated Pulses vs Commanded Pulses*.

The general motion smoothing command, IT, can also be used. The purpose of the command, IT, is to smooth out the motion profile and decrease 'jerk' due to acceleration.

Monitoring Generated Pulses vs Commanded Pulses

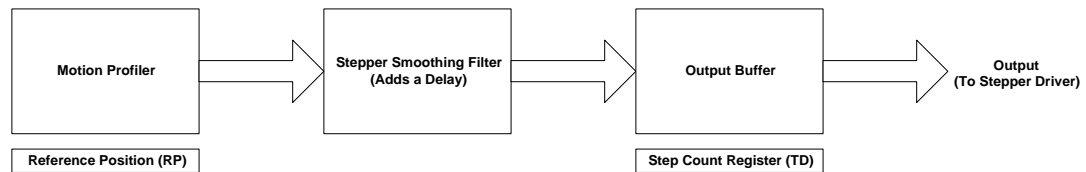
For proper controller operation, it is necessary to make sure that the controller has completed generating all step pulses before making additional moves. This is most particularly important if you are moving back and forth. For example, when operating with servo motors, the trippoint AM (After Motion) is used to determine when the motion profiler is complete and is prepared to execute a new motion command. However when operating in stepper mode, the controller may still be generating step pulses when the motion profiler is complete. This is caused by the stepper motor smoothing filter, KS. To understand this, consider the steps the controller executes to generate step pulses:

First, the controller generates a motion profile in accordance with the motion commands.

Second, the profiler generates pulses as prescribed by the motion profile. The pulses that are generated by the motion profiler can be monitored by the command, RP (Reference Position). RP gives the absolute value of the position as determined by the motion profiler. The command, DP, can be used to set the value of the reference position. For example, DP 0, defines the reference position of the X axis to be zero.

Third, the output of the motion profiler is filtered by the stepper smoothing filter. This filter adds a delay in the output of the stepper motor pulses. The amount of delay depends on the parameter which is specified by the command, KS. As mentioned earlier, there will always be some amount of stepper motor smoothing. The default value for KS is 2 which corresponds to a time constant of 6 sample periods.

Fourth, the output of the stepper smoothing filter is buffered and is available for input to the stepper motor driver. The pulses which are generated by the smoothing filter can be monitored by the command, TD (Tell Dual). TD gives the absolute value of the position as determined by actual output of the buffer. The command, DP sets the value of the step count register as well as the value of the reference position. For example, DP 0, defines the reference position of the X axis to be zero.



Motion Complete Trippoint

When used in stepper mode, the MC command will hold up execution of the proceeding commands until the controller has generated the same number of steps out of the step count register as specified in the commanded position. The MC trippoint (Motion Complete) is generally more useful than AM trippoint (After Motion) since the step pulses can be delayed from the commanded position due to stepper motor smoothing.

Using an Encoder with Stepper Motors

An encoder may be used on a stepper motor to check the actual motor position with the commanded position. If an encoder is used, it must be connected to the main encoder input. Note: The auxiliary encoder is not available while operating with stepper motors. The position of the encoder can be interrogated by using the command, TP. The position value can be defined by using the command, DE.

Note: Closed loop operation with a stepper motor is not possible.

Command Summary - Stepper Motor Operation

| COMMAND | DESCRIPTION |
|---------|--|
| DE | Define Encoder Position (When using an encoder) |
| DP | Define Reference Position and Step Count Register |
| IT | Motion Profile Smoothing - Independent Time Constant |
| KS | Stepper Motor Smoothing |
| MT | Motor Type (2,-2,2.5 or -2.5 for stepper motors) |
| RP | Report Commanded Position |
| TD | Report number of step pulses generated by controller |
| TP | Tell Position of Encoder |

Operand Summary - Stepper Motor Operation

| OPERAND | DESCRIPTION |
|---------|---|
| _DEx | Contains the value of the step count register |
| _DPx | Contains the value of the main encoder |
| _ITx | Contains the value of the Independent Time constant for the 'x' axis |
| _KS | Contains the value of the Stepper Motor Smoothing Constant for the 'x' axis |
| _MT | Contains the motor type value for the 'x' axis |
| _RP | Contains the commanded position generated by the profiler |
| _TD | Contains the value of the step count register |
| _TP | Contains the value of the main encoder |

Dual Loop (Auxiliary Encoder)

The DMC-1000 provides an interface for a second encoder for each axis except for axes configured for stepper motor operation. When used, the second encoder is typically mounted on the motor or the load, but may be mounted in any position. The most common use for the second encoder is backlash compensation, described below.

The auxiliary encoder may also be used for gearing. In this case, the auxiliary encoder input is used to monitor an encoder which is not under control of the DMC-1000. To use the auxiliary encoder for gearing, the master axis is specified as the auxiliary encoder and GR is used to specify the gear ratios. For more information, see previous section Electronic Gearing on page 58.

The second encoder may be a standard quadrature type, or it may provide pulse and direction. The controller also offers the provision for inverting the direction of the encoder rotation. The main and the auxiliary encoders are configured with the CE command. The command form is CE x,y,z,w (or a,b,c,d,e,f,g,h for controllers with more than 4 axes) where the parameters x,y,z,w each equal the sum of two integers m and n. m configures the main encoder and n configures the auxiliary encoder.

Using the CE Command

| m= | Main Encoder | n= | Second Encoder |
|----|-------------------|----|-------------------|
| 0 | Normal quadrature | 0 | Normal quadrature |

| | | | |
|---|---------------------------|----|----------------------------|
| 1 | Pulse & direction | 4 | Pulse & direction |
| 2 | Reverse quadrature | 8 | Reversed quadrature |
| 3 | Reverse pulse & direction | 12 | Reversed pulse & direction |

For example, to configure the main encoder for reversed quadrature, $m=2$, and a second encoder of pulse and direction, $n=4$, the total is 6, and the command for the X axis is

CE 6

Additional Commands for the Auxiliary Encoder

The command, DE x,y,z,w, can be used to define the position of the auxiliary encoders. For example,

DE 0,500,-30,300

sets their initial values.

The positions of the auxiliary encoders may be interrogated with the command, DE?. For example

DE ?,?

returns the value of the X and Z auxiliary encoders.

The auxiliary encoder position may be assigned to variables with the instructions

V1= _DEX

The command, TD XYZW, returns the current position of the auxiliary encoder.

The command, DV XYZW, configures the auxiliary encoder to be used for backlash compensation.

Backlash Compensation

There are two methods for backlash compensation using the auxiliary encoders:

Continuous dual loop

Sampled dual loop

To illustrate the problem, consider a situation in which the coupling between the motor and the load has a backlash. To compensate for the backlash, position encoders are mounted on both the motor and the load.

The continuous dual loop combines the two feedback signals to achieve stability. This method requires careful system tuning, and depends on the magnitude of the backlash. However, once successful, this method compensates for the backlash continuously.

The second method, the sampled dual loop, reads the load encoder only at the end point and performs a correction. This method is independent of the size of the backlash. However, it is effective only in point-to-point motion systems which require position accuracy only at the endpoint.

Example - Continuous Dual Loop

Note: In order to have a stable continuous dual loop system, the encoder on the motor must be of equal or higher resolution than the encoder on the load.

Connect the load encoder to the main encoder port and connect the motor encoder to the dual encoder port. The dual loop method splits the filter function between the two encoders. It applies the KP (proportional) and KI (integral) terms to the position error, based on the load encoder, and applies the KD (derivative) term to the motor encoder. This method results in a stable system.

The dual loop method is activated with the instruction DV (Dual Velocity), where

DV 1,1,1,1

activates the dual loop for the four axes and

DV 0,0,0,0

disables the dual loop.

Note that the dual loop compensation depends on the backlash magnitude, and in extreme cases will not stabilize the loop. The proposed compensation procedure is to start with KP=0, KI=0 and to maximize the value of KD under the condition DV1. Once KD is found, increase KP gradually to a maximum value, and finally, increase KI, if necessary.

Example - Sampled Dual Loop

In this example, we consider a linear slide which is run by a rotary motor via a lead screw. Since the lead screw has a backlash, it is necessary to use a linear encoder to monitor the position of the slide. For stability reasons, it is best to use a rotary encoder on the motor.

Connect the rotary encoder to the X-axis and connect the linear encoder to the auxiliary encoder of X. Assume that the required motion distance is one inch, and that this corresponds to 40,000 counts of the rotary encoder and 10,000 counts of the linear encoder.

The design approach is to drive the motor a distance, which corresponds to 40,000 rotary counts. Once the motion is complete, the controller monitors the position of the linear encoder and performs position corrections.

This is done by the following program.

| Instruction | Interpretation |
|--------------------|----------------------------|
| #DUALOOP | Label |
| CE 0 | Configure encoder |
| DE0 | Set initial value |
| PR 40000 | Main move |
| BGX | Start motion |
| #Correct | Correction loop |
| AMX | Wait for motion completion |
| V1=10000-_DEX | Find linear encoder error |
| V2=-_TEX/4+V1 | Compensate for motor error |
| JP#END,@ABS[V2]<2 | Exit if error is small |
| PR V2*4 | Correction move |
| BGX | Start correction |
| JP#CORRECT | Repeat |
| #END | |
| EN | |

Command Summary - Using the Auxiliary Encoder

| COMMAND | DESCRIPTION |
|---------|---|
| CE | Configure Encoder Type |
| DE | Define dual (auxiliary) encoder position |
| DV | Set continuous dual loop mode - see description below |
| GA | Set master axis for gearing - the auxiliary encoder input can be used for gearing |

| | |
|----|--|
| GR | Set gear ratio for gearing - the auxiliary encoder input can be used for gearing |
| TD | Tell dual (auxiliary) encoder input position. |

Operand Summary - Using the Auxiliary Encoder

| OPERAND | DESCRIPTION |
|------------------|---|
| _CE _x | Contains the encoder configuration for the specified axis |
| _DE _x | Contains the current position of the specified auxiliary encoder |
| _DV _x | Contains a '1' or '0' if the specified axis is in continuous dual loop operation. |
| _GR _x | Contains the value of the gear ratio for the specified axis |
| _TD _x | Contains the position of the specified auxiliary encoder. |

Motion Smoothing

The DMC-1000 controller allows the smoothing of the velocity profile to reduce the mechanical vibration of the system.

Trapezoidal velocity profiles have acceleration rates which change abruptly from zero to maximum value. The discontinuous acceleration results in jerk which causes vibration. The smoothing of the acceleration profile leads to a continuous acceleration profile and reduces the mechanical shock and vibration.

Using the IT and VT Commands (S curve profiling):



When operating with servo motors, motion smoothing can be accomplished with the IT and VT command. These commands filter the acceleration and deceleration functions to produce a smooth velocity profile. The resulting velocity profile, known as S curve, has continuous acceleration and results in reduced mechanical vibrations.

The smoothing function is specified by the following commands:

IT x,y,z,w Independent time constant
 VT n Vector time constant

The command, IT, is used for smoothing independent moves of the type JG, PR, PA and the command, VT, is used to smooth vector moves of the type VM and LM.

The smoothing parameters, x,y,z,w and n are numbers between 0 and 1 and determine the degree of filtering. The maximum value of 1 implies no filtering, resulting in trapezoidal velocity profiles. Smaller values of the smoothing parameters imply heavier filtering and smoother moves.

The following example illustrates the effect of smoothing. Fig. 6.6 shows the trapezoidal velocity profile and the modified acceleration and velocity.

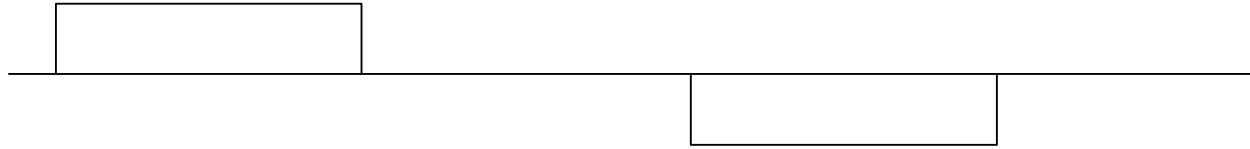
Note that the smoothing process results in longer motion time.

Example - Smoothing

PR 20000 Position
 AC 100000 Acceleration
 DC 100000 Deceleration

| | |
|---------|--------------------|
| SP 5000 | Speed |
| IT .5 | Filter for S-curve |
| BG X | Begin |

ACCELERATION



VELOCITY



ACCELERATION



VELOCITY



Figure 6.6 - Trapezoidal velocity and smooth velocity profiles

Using the KS Command (Step Motor Smoothing):



When operating with step motors, motion smoothing can be accomplished with the command, KS. The KS command smoothes the frequency of step motor pulses. Similar to the commands, IT and VT, this produces a smooth velocity profile.

The step motor smoothing is specified by the following command:

KS x,y,z,w where x,y,z,w is an integer from 1 to 16 and represents the amount of smoothing

The command, IT, is used for smoothing independent moves of the type JG, PR, PA and the command, VT, is used to smooth vector moves of the type VM and LM.

The smoothing parameters, x,y,z,w and n are numbers between 0 and 16 and determine the degree of filtering. The minimum value of 1 implies no filtering, resulting in trapezoidal velocity profiles. Larger values of the smoothing parameters imply heavier filtering and smoother moves.

Note that KS is valid only for step motors.

Homing

The Find Edge (FE) and Home (HM) instructions may be used to home the motor to a mechanical reference. This reference is connected to the Home input line. The HM command initializes the motor to the encoder index pulse in addition to the Home input. The configure command (CN) is used to define the polarity of the home input.

The Find Edge (FE) instruction is useful for initializing the motor to a home switch. The home switch is connected to the Homing Input. When the Find Edge command and Begin is used, the motor will accelerate up to the slew speed and slew until a transition is detected on the Homing line. The motor will then decelerate to a stop. A high deceleration value must be input before the find edge command is issued for the motor to decelerate rapidly after sensing the home switch. The velocity profile generated is shown in Fig. 6.7.

The Home (HM) command can be used to position the motor on the index pulse after the home switch is detected. This allows for finer positioning on initialization. The command sequence HM and BG causes the following sequence of events to occur.

Upon begin, motor accelerates to the slew speed. The direction of its motion is determined by the state of the homing input. A zero (GND) will cause the motor to start in the forward direction; +5V will cause it to start in the reverse direction. The CN command is used to define the polarity of the home input.

Upon detecting the home switch changing state, the motor begins decelerating to a stop.

The motor then traverses very slowly back until the home switch toggles again.

The motor then traverses forward until the encoder index pulse is detected.

The DMC-1000 defines the home position (0) as the position at which the index was detected.

Example:

| Instruction | Interpretation |
|--------------------|-----------------------|
| #HOME | Label |
| AC 1000000 | Acceleration Rate |
| DC 1000000 | Deceleration Rate |
| SP 5000 | Speed for Home Search |
| HM X | Home X |
| BG X | Begin Motion |
| AM X | After Complete |
| MG "AT HOME" | Send Message |
| EN | End |
| #EDGE | Label |
| AC 2000000 | Acceleration rate |
| DC 2000000 | Deceleration rate |

| | |
|-----------------|----------------------|
| SP 8000 | Speed |
| FE Y | Find edge command |
| BG Y | Begin motion |
| AM Y | After complete |
| MG "FOUND HOME" | Print message |
| DP,0 | Define position as 0 |
| EN | End |

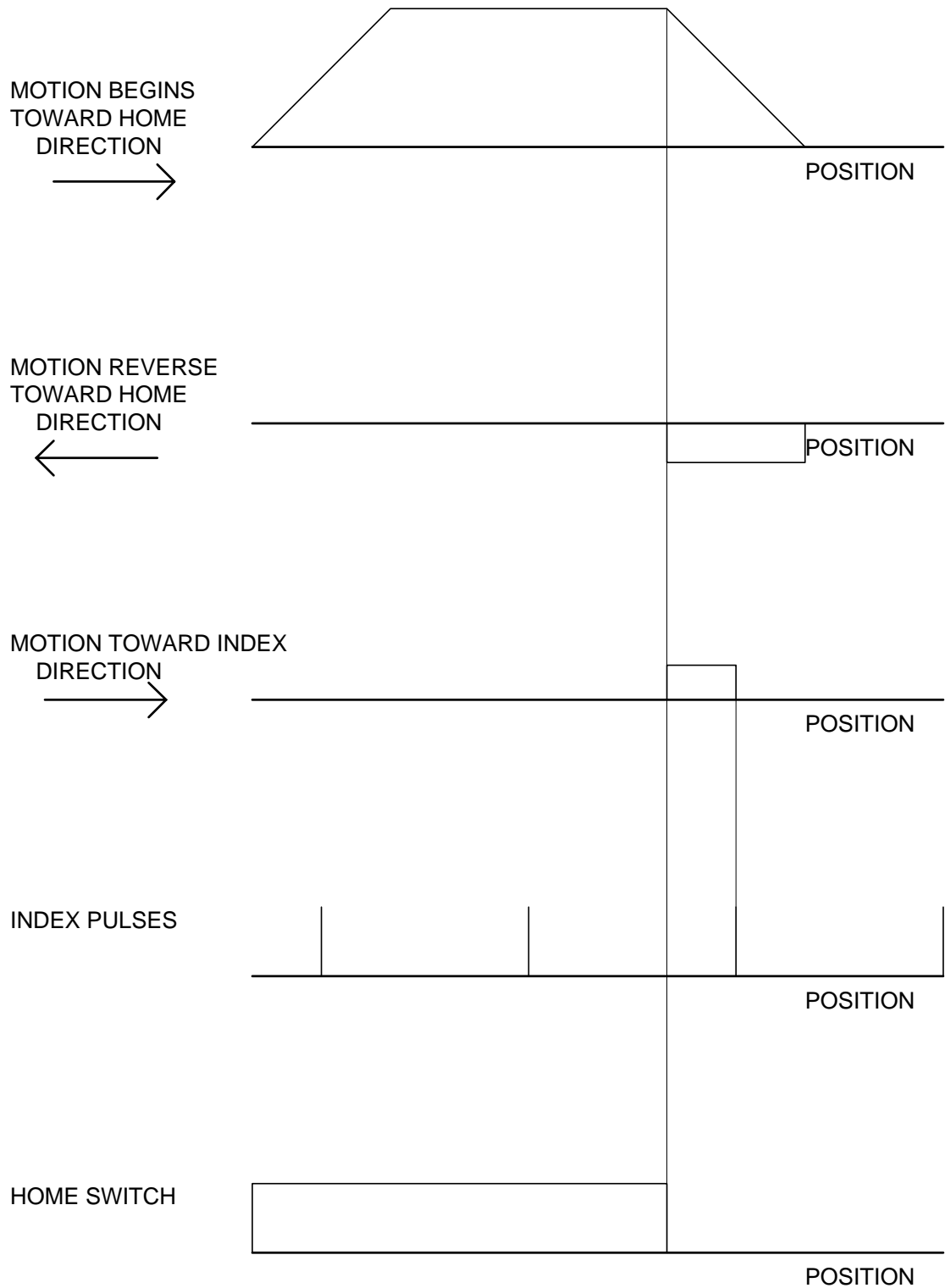


Figure 6.7 - Motion intervals in the Home sequence

High Speed Position Capture (Latch)

Often it is desirable to capture the position precisely for registration applications. The DMC-1000 provides a position latch feature. This feature allows the position of X,Y,Z or W to be captured within 25 microseconds of an external low input signal. The general inputs 1 through 4, and 9 through 12 correspond to each axis.

| | | | |
|-----|--------------|------|--------------|
| IN1 | X-axis latch | IN 9 | E-axis latch |
| IN2 | Y-axis latch | IN10 | F-axis latch |
| IN3 | Z-axis latch | IN11 | G-axis latch |
| IN4 | W-axis latch | IN12 | H-axis latch |

Note: To insure a position capture within 25 microseconds, the input signal must be a transition from high to low.

The DMC-1000 software commands, AL and RL, are used to arm the latch and report the latched position. The steps to use the latch are as follows:

Give the AL XYZW command, or ABCDEFGH for DMC-1080, to arm the latch for the specified axis or axes.

Test to see if the latch has occurred (Input goes low) by using the _AL X or Y or Z or W command. Example, V1=_ALX returns the state of the X latch into V1. V1 is 1 if the latch has not occurred.

After the latch has occurred, read the captured position with the RL XYZW command or _RL XYZW.

Note: The latch must be re-armed after each latching event.

Position Latch Example:

| Instruction | Interpretation |
|--------------------|---|
| #Latch | Latch program |
| JG,5000 | Jog Y |
| BG Y | Begin motion on Y axis |
| AL Y | Arm Latch for Y axis |
| #Wait | #Wait label for loop |
| JP #Wait,_ALY=1 | Jump to #Wait label if latch has not occurred |
| Result=_RLY | Set value of variable 'Result' equal to the report position of y axis |
| Result= | Print result |
| EN | End |

THIS PAGE LEFT BLANK INTENTIONALLY

Chapter 7 Application Programming

Overview

The DMC-1000 provides a powerful programming language that allows users to customize the controller for their particular application. Programs can be downloaded into the DMC-1000 memory freeing the host computer for other tasks. However, the host computer can send commands to the controller at any time, even while a program is being executed.

In addition to standard motion commands, the DMC-1000 provides commands that allow the DMC-1000 to make its own decisions. These commands include conditional jumps, event triggers and subroutines. For example, the command JP#LOOP, n<10 causes a jump to the label #LOOP if the variable n is less than 10.

For greater programming flexibility, the DMC-1000 provides user-defined variables, arrays and arithmetic functions. For example, with a cut-to-length operation, the length can be specified as a variable in a program which the operator can change as necessary.

The following sections in this chapter discuss all aspects of creating applications programs.

Using the DMC-1000 Editor to Enter Programs

Application programs for the DMC-1000 may be created and edited either locally using the DMC-1000 editor or remotely using another editor and then downloading the program into the controller. (Galil's Terminal and SDK-software software provide an editor and UPLOAD and DOWNLOAD utilities).

The DMC-1000 provides a line Editor for entering and modifying programs. The Edit mode is entered with the ED instruction. The ED command can only be given when the controller is not running a program.

In the Edit Mode, each program line is automatically numbered sequentially starting with 000. If no parameter follows the ED command, the editor prompter will default to the last line of the program in memory. If desired, the user can edit a specific line number or label by specifying a line number or label following ED.

| Instruction | Interpretation |
|--------------------|------------------------------------|
| ED | Puts Editor at end of last program |
| ED 5 | Puts Editor at line 5 |
| ED #BEGIN | Puts Editor at label #BEGIN |

PROGRAM MEMORY SPACE FOR THE DMC-1000:

| | |
|-------------|-------------------------------------|
| DMC-1040 | 500 lines x 40 characters per line |
| DMC-1080 | 1000 lines x 80 characters per line |
| DMC-1040-MX | 2000 lines x 40 characters per line |

Line numbers appear as 000,001,002 and so on. Program commands are entered following the line numbers. Multiple commands may be given on a single line as long as the total number of characters doesn't exceed the limits given above.

While in the Edit Mode, the programmer has access to special instructions for saving, inserting and deleting program lines. These special instructions are listed below:

Edit Mode Commands

<RETURN>

Typing the return or enter key causes the current line of entered instructions to be saved. The editor will automatically advance to the next line. Thus, hitting a series of <RETURN> will cause the editor to advance a series of lines. Note, changes on a program line will not be saved unless a <return> is given.

<cntrl>P

The <cntrl>P command moves the editor to the previous line.

<cntrl>I

The <cntrl>I command inserts a line above the current line. For example, if the editor is at line number 2 and <cntrl>I is applied, a new line will be inserted between lines 1 and 2. This new line will be labeled line 2. The old line number 2 is renumbered as line 3.

<cntrl>D

The <cntrl>D command deletes the line currently being edited. For example, if the editor is at line number 2 and <cntrl>D is applied, line 2 will be deleted. The previous line number 3 is now renumbered as line number 2.

<cntrl>Q

The <cntrl>Q quits the editor mode. In response, the DMC-1000 will return a colon.

After the Edit session is over, the user may list the entered program using the LS command. If no number or label follows the LS command, the entire program will be listed. The user can start listing at a specific line or label. A range of program lines can also be displayed. For example;

| Instruction | Interpretation |
|--------------------|-----------------------------------|
| LS | List entire program |
| LS 5 | Begin listing at line 5 |
| LS 5,9 | List lines 5 through 9 |
| LS #A,9 | List line label #A through line 9 |

Program Format

A DMC-1000 program consists of DMC-1000 instructions combined to solve a machine control application. Action instructions, such as starting and stopping motion, are combined with Program Flow instructions to form the complete program. Program Flow instructions evaluate real-time conditions, such as elapsed time or motion complete, and alter program flow accordingly.

Each DMC-1000 instruction in a program must be separated by a delimiter. Valid delimiters are the semicolon (;) or carriage return. The semicolon is used to separate multiple instructions on a single program line where the maximum number of instructions on a line is limited by 38 characters. A carriage return enters the final command on a program line.

Using Labels in Programs

All DMC-1000 programs must begin with a label and end with an End (EN) statement. Labels start with the pound (#) sign followed by a maximum of seven characters. The first character must be a letter; after that, numbers are permitted. Spaces are not permitted.

The maximum number of labels depends on the controller: 126 for 1-4 axes, 510 for 1-4 axes with the -MX option, and 254 for controllers with 5 or more axes.

Valid labels

Label

#BEGIN
#SQUARE
#X1
#BEGIN1

Invalid labels

Label

#1Square
#SQUAREPEG

Problem

Can not use number to begin a label
Can not use more than 7 characters in a label

Program Example:

Instruction

#START
PR 10000,20000
BG XY
AM
WT 2000
JP #START
EN

Interpretation

Beginning of the Program
Specify relative distances on X and Y axes
Begin Motion
Wait for motion complete
Wait 2 sec
Jump to label START
End of Program

The above program moves X and Y 10000 and 20000 units. After the motion is complete, the motors rest for 2 seconds. The cycle repeats indefinitely until the stop command is issued.

Special Labels

The DMC-1000 has some special labels, which are used to define input interrupt subroutines, limit switch subroutines, error handling subroutines, and command error subroutines. See section on "Automatic Subroutines for Monitoring Conditions" on page 97.

| | |
|---------|---|
| #ININT | Label for Input Interrupt subroutine |
| #LIMSWI | Label for Limit Switch subroutine |
| #POSERR | Label for excess Position Error subroutine |
| #MCTIME | Label for timeout on Motion Complete trip point |
| #CMDERR | Label for incorrect command subroutine |

Commenting Programs

Using the command, NO

The DMC-1000 provides a command, NO, for commenting programs. This command allows the user to include up to 37 characters on a single line after the NO command and can be used to include comments from the programmer as in the following example:

```
#PATH
NO 2-D CIRCULAR PATH
VMXY
NO VECTOR MOTION ON X AND Y
VS 10000
NO VECTOR SPEED IS 10000
VP -4000,0
NO BOTTOM LINE
CR 1500,270,-180
NO HALF CIRCLE MOTION
VP 0,3000
NO TOP LINE
CR 1500,90,-180
NO HALF CIRCLE MOTION
VE
NO END VECTOR SEQUENCE
BGS
NO BEGIN SEQUENCE MOTION
EN
NO END OF PROGRAM
```

Note: The NO command is an actual controller command. Therefore, inclusion of the NO commands will require process time by the controller.

Using REM Statements with the Galil Terminal Software.

If you are using Galil software to communicate with the DMC-1000 controller, you may also include REM statements. 'REM' statements begin with the word 'REM' and may be followed by any

comments which are on the same line. The Galil terminal software will remove these statements when the program is downloaded to the controller. For example:

```
#PATH
REM 2-D CIRCULAR PATH
VMXY
REM VECTOR MOTION ON X AND Y
VS 10000
REM VECTOR SPEED IS 10000
VP -4000,0
REM BOTTOM LINE
CR 1500,270,-180
REM HALF CIRCLE MOTION
VP 0,3000
REM TOP LINE
CR 1500,90,-180
REM HALF CIRCLE MOTION
VE
REM END VECTOR SEQUENCE
BGS
REM BEGIN SEQUENCE MOTION
EN
REM END OF PROGRAM
```

These REM statements will be removed when this program is downloaded to the controller.

Executing Programs - Multitasking

The DMC-1000 can run up to four independent programs simultaneously. These programs are called threads and are numbered 0 through 3, where 0 is the main one. Multitasking is useful for executing independent operations such as PLC functions that occur independently of motion.

The main thread differs from the others in the following ways:

1. Only the main thread may use the input command, IN.
2. When input interrupts are implemented for limit switches, position errors or command errors, the subroutines are executed in thread 0.

To begin execution of the various programs, use the following instruction:

```
XQ #A, n
```

Where n indicates the thread number. To halt the execution of any thread, use the instruction

```
HX n
```

where n is the thread number.

Note that both the XQ and HX commands can be performed by an executing program.

Multitasking Example: Producing Waveform on Output 1 Independent of a Move.

| Instruction | Interpretation |
|--------------------|---|
| #TASK1 | Task1 label |
| AT0 | Initialize reference time |
| CB1 | Clear Output 1 |
| #LOOP1 | Loop1 label |
| AT 10 | Wait 10 msec from reference time |
| SB1 | Set Output 1 |
| AT -40 | Wait 40 msec from reference time, then initialize reference |
| CB1 | Clear Output 1 |
| JP #LOOP1 | Repeat Loop1 |
| #TASK2 | Task2 label |
| XQ #TASK1,1 | Execute Task1 |
| #LOOP2 | Loop2 label |
| PR 1000 | Define relative distance |
| BGX | Begin motion |
| AMX | After motion done |
| WT 10 | Wait 10 msec |
| JP #LOOP2,@IN[2]=1 | Repeat motion unless Input 2 is low |
| HX | Halt all tasks |

The program above is executed with the instruction XQ #TASK2,0 which designates TASK2 as the main thread (ie. Thread 0). #TASK1 is executed within TASK2.

Debugging Programs

The DMC-1000 provides commands and operands which are useful in debugging application programs. These commands include interrogation commands to monitor program execution, determine the state of the controller and the contents of the controllers program, array, and variable space. Operands also contain important status information which can help to debug a program.

Trace Commands

The trace command causes the controller to send each line in a program to the host computer immediately prior to execution. Tracing is enabled with the command, TR1. TR0 turns the trace function off. Note: When the trace function is enabled, the line numbers as well as the command line will be displayed as each command line is executed.

Data which is output from the controller is stored in an output FIFO buffer. The output FIFO buffer can store up to 512 characters of information. In normal operation, the controller places output into the FIFO buffer. The software on the host computer monitors this buffer and reads information as needed. When the trace mode is enabled, the controller will send information to the FIFO buffer at a very high rate. In general, the FIFO will become full since the software is unable to read the information fast enough. When the FIFO becomes full, program execution will be delayed until it is cleared. If the user wants to avoid this delay, the command CW,1 can be given. This command causes the controller to throw away the data which can not be placed into the FIFO. In this case, the controller does not delay program execution.

Error Code Command

When there is a program error, the DMC-1000 halts the program execution at the point where the error occurs. To display the last line number of program execution, issue the command, MG _ED.

The user can obtain information about the type of error condition that occurred by using the command, TC1. This command reports back a number and a text message which describes the error condition. The command, TC0 or TC, will return the error code without the text message. For more information about the command, TC, see the Command Reference.

Stop Code Command

The status of motion for each axis can be determined by using the stop code command, SC. This can be useful when motion on an axis has stopped unexpectedly. The command SC will return a number representing the motion status. See the command reference for further information. The command SC1 will return the number and the textual explanation of the motion status.

RAM Memory Interrogation Commands

For debugging the status of the program memory, array memory, or variable memory, the DMC-1700 has several useful commands. The command, DM ?, will return the number of array elements currently available. The command, DA ?, will return the number of arrays which can be currently defined. For example, a standard DMC-1010 will have a maximum of 1600 array elements in up to 14 arrays. If an array of 100 elements is defined, the command DM ? will return the value 1500 and the command DA ? will return 13.

To list the contents of the variable space, use the interrogation command LV (List Variables). To list the contents of array space, use the interrogation command, LA (List Arrays). To list the contents of the Program space, use the interrogation command, LS (List). To list the application program labels only, use the interrogation command, LL (List Labels).

Operands

In general, all operands provide information which may be useful in debugging an application program. Below is a list of operands which are particularly valuable for program debugging. To display the value of an operand, the message command may be used. For example, since the operand, _ED contains the last line of program execution, the command MG _ED will display this line number.

_ED contains the last line of program execution. Useful to determine where program stopped.

_DL contains the number of available labels.

_UL contains the number of available variables.

_DA contains the number of available arrays.

_DM contains the number of available array elements.

_AB contains the state of the Abort Input

_FLx contains the state of the forward limit switch for the 'x' axis

_RLx contains the state of the reverse limit switch for the 'x' axis

Debugging Example:

The following program has an error. It attempts to specify a relative movement while the X-axis is already in motion. When the program is executed, the controller stops at line 003. The user can then query the controller using the command, TC1. The controller responds with the corresponding explanation:

| | |
|--|---------------------------------|
| :ED | Edit Mode |
| 000 #A | Program Label |
| 001 PR1000 | Position Relative 1000 |
| 002 BGX | Begin |
| 003 PR5000 | Position Relative 5000 |
| 004 EN | End |
| <cntrl> Q | Quit Edit Mode |
| :XQ #A | Execute #A |
| ?003 PR5000 | Error on Line 3 |
| :TC1 | Tell Error Code |
| ?7 Command not valid while running. | Command not valid while running |
| :ED 3 | Edit Line 3 |
| 003 AMX;PR5000;BGX | Add After Motion Done |
| <cntrl> Q | Quit Edit Mode |
| :XQ #A | Execute #A |

Program Flow Commands

The DMC-1000 provides instructions to control program flow. The DMC-1000 program sequencer normally executes program instructions sequentially. The program flow can be altered with the use of event triggers, trippoints, and conditional jump statements.

Event Triggers & Trippoints

To function independently from the host computer, the DMC-1000 can be programmed to make decisions based on the occurrence of an event. Such events include waiting for motion to be complete, waiting for a specified amount of time to elapse, or waiting for an input to change logic levels.

The DMC-1000 provides several event triggers that cause the program sequencer to halt until the specified event occurs. Normally, a program is automatically executed sequentially one line at a time. When an event trigger instruction is decoded, however, the actual program sequence is halted. The program sequence does not continue until the event trigger is "tripped". For example, the motion complete trigger can be used to separate two move sequences in a program. The commands for the second move sequence will not be executed until the motion is complete on the first motion sequence. In this way, the DMC-1000 can make decisions based on its own status or external events without intervention from a host computer.

DMC-1000 Event Triggers

| Command | Function |
|---|--|
| AM X Y Z W or S (A B C D E F G H) | Halts program execution until motion is complete on the specified axes or motion sequence(s). AM with no parameter tests for motion complete on all axes. This command is useful for separating motion sequences in a program. |
| AD X or Y or Z or W (A or B or C or D or E or F or G or H) | Halts program execution until position command has reached the specified relative distance from the start of the move. Only one axis may be specified at a time. |
| AR X or Y or Z or W (A or B or C or D or E or F or G or H) | Halts program execution until after specified distance from the last AR or AD command has elapsed. Only one axis may be specified at a time. |
| AP X or Y or Z or W (A or B or C or D or E or F or G or H) | Halts program execution until after absolute position occurs. Only one axis may be specified at a time. |
| MF X or Y or Z or W (A or B or C or D or E or F or G or H) | Halt program execution until after forward motion reached absolute position. Only one axis may be specified. If position is already past the point, then MF will trip immediately. Will function on geared axis. |
| MR X or Y or Z or W (A or B or C or D or E or F or G or H) | Halt program execution until after reverse motion reached absolute position. Only one axis may be specified. If position is already past the point, then MR will trip immediately. Will function on geared axis. |
| MC X or Y or Z or W (A or B or C or D or E or F or G or H) | Halt program execution until after the motion profile has been completed and the encoder has entered or passed the specified position. TW x,y,z,w sets timeout to declare an error if not in position. If timeout occurs, then the trippoint will clear and the stopcode will be set to 99. An application program will jump to label #MCTIME. |
| AI +/- n | Halts program execution until after specified input is at specified logic level. n specifies input line. Positive is high logic level, negative is low level. n=1 through 8 for DMC-1010 to 1040. n=1 through 24 for DMC-1050 to 1080. |
| AS X Y Z W S (A B C D E F G H) | Halts program execution until specified axis has reached its slew speed. |
| AT +/-n | Halts program execution until n msec from reference time. AT 0 sets reference. AT n waits n msec from reference. AT -n waits n msec from reference and sets new reference after elapsed time. |
| AV n | Halts program execution until specified distance along a coordinated path has occurred. |
| WT n | Halts program execution until specified time in msec has elapsed. |

Event Trigger Examples:

Event Trigger - Multiple Move Sequence

The AM trippoint is used to separate the two PR moves. If AM is not used, the controller returns a ? for the second PR command because a new PR cannot be given until motion is complete.

| Instruction | Interpretation |
|--------------------|--------------------------|
| #TWOMOVE | Label |
| PR 2000 | Position Command |
| BGX | Begin Motion |
| AMX | Wait for Motion Complete |
| PR 4000 | Next Position Move |
| BGX | Begin 2nd move |
| EN | End program |

Event Trigger - Set Output after Distance

Set output bit 1 after a distance of 1000 counts from the start of the move. The accuracy of the trippoint is the speed multiplied by the sample period.

| Instruction | Interpretation |
|--------------------|---------------------------|
| #SETBIT | Label |
| SP 10000 | Speed is 10000 |
| PA 20000 | Specify Absolute position |
| BGX | Begin motion |
| AD 1000 | Wait until 1000 counts |
| SB1 | Set output bit 1 |
| EN | End program |

Event Trigger - Repetitive Position Trigger

To set the output bit every 10000 counts during a move, the AR trippoint is used as shown in the next example.

| Instruction | Interpretation |
|--------------------|-----------------------|
| #TRIP | Label |
| JG 50000 | Specify Jog Speed |
| BGX;n=0 | Begin Motion |
| #REPEAT | # Repeat Loop |
| AR 10000 | Wait 10000 counts |
| TPX | Tell Position |
| SB1 | Set output 1 |
| WT50 | Wait 50 msec |
| CB1 | Clear output 1 |
| n=n+1 | Increment counter |
| JP #REPEAT,n<5 | Repeat 5 times |
| STX | Stop |
| EN | End |

Event Trigger - Start Motion on Input

This example waits for input 1 to go low and then starts motion. Note: The AI command actually halts execution of the program until the input occurs. If you do not want to halt the program sequences, you can use the Input Interrupt function (II) or use a conditional jump on an input, such as JP #GO,@IN[1] = -1.

| Instruction | Interpretation |
|--------------------|-----------------------|
| #INPUT | Program Label |
| AI-1 | Wait for input 1 low |
| PR 10000 | Position command |
| BGX | Begin motion |
| EN | End program |

Event Trigger - Set output when At speed

| Instruction | Interpretation |
|--------------------|------------------------------|
| #ATSPEED | Program Label |
| JG 50000 | Specify jog speed |
| AC 10000 | Acceleration rate |
| BGX | Begin motion |
| ASX | Wait for at slow speed 50000 |
| SB1 | Set output 1 |
| EN | End program |

Event Trigger - Change Speed along Vector Path

The following program changes the feedrate or vector speed at the specified distance along the vector. The vector distance is measured from the start of the move or from the last AV command.

| Instruction | Interpretation |
|--------------------|-----------------------|
| #VECTOR | Label |
| VMXY;VS 5000 | Coordinated path |
| VP 10000,20000 | Vector position |
| VP 20000,30000 | Vector position |
| VE | End vector |
| BGS | Begin sequence |
| AV 5000 | After vector distance |
| VS 1000 | Reduce speed |
| EN | End |

Event Trigger - Multiple Move with Wait

This example makes multiple relative distance moves by waiting for each to be complete before executing new moves.

| Instruction | Interpretation |
|--------------------|----------------------------------|
| #MOVES | Label |
| PR 12000 | Distance |
| SP 20000 | Speed |
| AC 100000 | Acceleration |
| BGX | Start Motion |
| AD 10000 | Wait a distance of 10,000 counts |
| SP 5000 | New Speed |
| AMX | Wait until motion is completed |
| WT 200 | Wait 200 ms |
| PR -10000 | New Position |
| SP 30000 | New Speed |
| AC 150000 | New Acceleration |
| BGX | Start Motion |
| EN | End |

Example - creating an output Waveform Using AT

The following program causes Output 1 to be high for 10 msec and low for 40 msec. The cycle repeats every 50 msec.

| Instruction | Interpretation |
|--------------------|--|
| #OUTPUT | Program label |
| AT0 | Initialize time reference |
| SB1 | Set Output 1 |
| #LOOP | Loop |
| AT 10 | After 10 msec from reference, |
| CB1 | Clear Output 1 |
| AT -40 | Wait 40 msec from reference and reset reference |
| SB1 | Set Output 1 |
| JP #LOOP | Jump to location #LOOP and continue executing commands |
| EN | End of program |

Conditional Jumps

The DMC-1000 provides Conditional Jump (JP) and Conditional Jump to Subroutine (JS) instructions for branching to a new program location. Program execution will continue at the location specified by the JP and JS command if the jump condition is satisfied. Conditional jumps are useful for testing events in real-time since they allow the DMC-1000 to make decisions without a host computer. For example, the DMC-1000 can begin execution at a specified label or line number based on the state of an input line.

Using the JP Command:

The JP command will cause the controller to execute commands at the location specified by the label or line number if the condition of the jump statement is satisfied. If no condition is specified, program execution will automatically jump to the specified line. If the condition is not satisfied, the controller continues to execute the next commands in program sequence.

Using the Js Command:

The JS command is significantly different from the JP command. When the condition specified by the JS command is satisfied, the controller will begin execution at the program location specified by the line or label number. However, when the controller reaches an end statement, EN, the controller will jump back to the location of the JS command and resume executing the next commands. This is known as jumping to a subroutine. For more information, see section

Conditional Statements

The conditional statement is satisfied if it evaluates to any value other than zero. The conditional statement can be any valid DMC-1000 numeric operand, including variables, array elements, numeric values, functions, keywords, and arithmetic expressions. If no conditional statement is given, the jump will always occur.

Examples:

| | |
|--------------------|------------------------|
| Number | V1=6 |
| Numeric Expression | V1=V7*6 @ABS[V1]>10 |
| Array Element | V1<Count[2] |
| Variable | V1<V2 |
| Internal Variable | _TPX=0 _TVX>500 |
| I/O | V1>@AN[2] @IN[1]=0 |

Multiple Conditional Statements

The DMC-1000 will accept multiple conditions in a single jump statement. The conditional statements are combined in pairs using the operands “&” and “|”. The “&” operand between any two conditions, requires that both statements must be true for the combined statement to be true. The “|” operand between any two conditions, requires that only one statement be true for the combined statement to be true. *Note: Each condition must be placed in parenthesis for proper evaluation by the controller. In addition, the DMC-1000 will execute operations from left to right. For further information on Mathematical Expressions and the bit-wise operators ‘&’ and ‘|’, see pg. 7- 100.*

For example, using variables named V1, V2, V3 and V4:

```
JP #TEST, (V1<V2) & (V3<V4)
```

In this example, this statement will cause the program to jump to the label #TEST if V1 is less than V2 and V3 is less than V4. To illustrate this further, consider this same example with an additional condition:

```
JP #TEST, ((V1<V2) & (V3<V4)) | (V5<V6)
```

This statement will cause the program to jump to the label #TEST under two conditions; 1. If V1 is less than V2 and V3 is less than V4. OR 2. If V5 is less than V6.

Examples Using JP and JS

| Instruction | Interpretation |
|---------------------|---|
| JP #Loop, COUNT<10 | Jump to #Loop if the variable, COUNT, is less than 10 |
| JS #MOVE2,@IN[1]=1 | Jump to subroutine #MOVE2 if input 1 is logic level high. After the subroutine MOVE2 is executed, the program sequencer returns to the main program location where the subroutine was called. |
| JP #BLUE,@ABS[V2]>2 | Jump to #BLUE if the absolute value of variable, V2, is greater than 2 |
| JP #C,V1*V7<=V8*V2 | Jump to #C if the value of V1 times V7 is less than or equal to the value of V8*V2 |
| JP#A | Jump to #A |

Example Using JP command:

Move the X motor to absolute position 1000 counts and back to zero ten times. Wait 100 msec between moves.

| Instruction | Interpretation |
|------------------|--------------------------------|
| #BEGIN | Begin Program |
| COUNT=10 | Initialize loop counter |
| #LOOP | Begin loop |
| PA 1000 | Position absolute 1000 |
| BGX | Begin move |
| AMX | Wait for motion complete |
| WT 100 | Wait 100 msec |
| PA 0 | Position absolute 0 |
| BGX | Begin move |
| AMX | Wait for motion complete |
| WT 100 | Wait 100 msec |
| COUNT=COUNT-1 | Decrement loop counter |
| JP #LOOP,COUNT>0 | Test for 10 times through loop |
| EN | End Program |

Command Format - JP and JS

| FORMAT: | DESCRIPTION |
|-----------------------------------|--|
| JS destination, logical condition | Jump to subroutine if logical condition is satisfied |
| JP destination, logical condition | Jump to location if logical condition is satisfied |

The destination is a program line number or label where the program sequencer will jump if the specified condition is satisfied. Note that the line number of the first line of program memory is 0. The comma designates "IF". The logical condition tests two operands with logical operators.

Logical Operators:

| OPERATOR | DESCRIPTION |
|----------|-----------------------|
| < | less than |
| > | greater than |
| = | equal to |
| <= | less than or equal to |

| | |
|----|--------------------------|
| >= | greater than or equal to |
| <> | not equal |

Subroutines

A subroutine is a group of instructions beginning with a label and ending with an end command (EN). Subroutines are called from the main program with the jump subroutine instruction JS, followed by a label or line number, and conditional statement. Up to 8 subroutines can be nested. After the subroutine is executed, the program sequencer returns to the program location where the subroutine was called unless the subroutine stack is manipulated as described in the following section.

Example - Using a Subroutine

Subroutine to draw a square 500 counts on each side. The square starts at vector position 1000,1000.

| Instruction | Interpretation |
|---------------------|---|
| #M | Begin main program |
| CB1 | Clear Output Bit 1 (pick up pen) |
| VMXY | Specify vector motion between X and Y axes |
| VP 1000,1000;VE;BGS | Define vector position; move pen |
| AMS | Wait for after motion trippoint |
| SB1 | Set Output Bit 1 (put down pen) |
| JS #Square;CB1 | Jump to square subroutine |
| EN | End main program |
| #Square | Square subroutine |
| V1=500;JS #L | Define length of side, Jump to subroutine #L |
| V1=-V1;JS #L | Switch direction, Jump to subroutine #L |
| EN | End subroutine #Square |
| #L;PR V1,V1;BGX | Subroutine #L, Define relative position movement on X and Y; Begin motion |
| AMX;BGY;AMY | After motion on X, Begin Y, Wait for motion on Y to complete |
| EN | End subroutine #L |

Stack Manipulation

It is possible to manipulate the subroutine stack by using the ZS command. Every time a JS instruction, interrupt or automatic routine (such as #POSERR or #LIMSWI) is executed, the subroutine stack is incremented by 1. Normally the stack is restored with an EN instruction. Occasionally it is desirable not to return back to the program line where the subroutine or interrupt was called. The ZS1 command clears 1 level of the stack. This allows the program sequencer to continue to the next line. The ZS0 command resets the stack to its initial value. For example, if a limit occurs and the #LIMSWI routine is executed, it is often desirable to restart the program sequence instead of returning to the location where the limit occurred. To do this, give a ZS command at the end of the #LIMSWI routine.

Automatic Subroutines for Monitoring Conditions

Often it is desirable to monitor certain conditions continuously without tying up the host or DMC-1000 program sequences. The DMC-1000 can monitor several important conditions in the background. These conditions include checking for the occurrence of a limit switch, a defined input,

position error, or a command error. Automatic monitoring is enabled by inserting a special, predefined label in the applications program. The pre-defined labels are:

| SUBROUTINE | DESCRIPTION |
|------------|--|
| #LIMSWI | Limit switch on any axis goes low |
| #ININT | Input specified by II goes low |
| #POSERR | Position error exceeds limit specified by ER |
| #MCTIME | Motion Complete timeout occurred. Timeout period set by TW command |
| #CMDERR | Bad command given |

For example, the #POSERR subroutine will automatically be executed when any axis exceeds its position error limit. The commands in the #POSERR subroutine could decode which axis is in error and take the appropriate action. In another example, the #ININT label could be used to designate an input interrupt subroutine. When the specified input occurs, the program will be executed automatically.

NOTE: An application program must be running for automatic monitoring to function.

Example - Limit Switch

This program prints a message upon the occurrence of a limit switch. Note, for the #LIMSWI routine to function, the DMC-1000 must be executing an applications program from memory. This can be a very simple program that does nothing but loop on a statement, such as #LOOP;JP #LOOP;EN. Motion commands, such as JG 5000 can still be sent from the PC even while the "dummy" applications program is being executed.

| Instruction | Interpretation |
|---------------------|---|
| #LOOP | Dummy Program |
| JP #LOOP;EN | Jump to Loop |
| #LIMSWI | Limit Switch Label |
| MG "LIMIT OCCURRED" | Print Message |
| RE | Return to main program |
| XQ #LOOP | Execute Dummy Program |
| JG 5000 | Jog X axis at rate of 5000 counts / sec |
| BGX | Begin motion on X axis |

Now, when a forward limit switch occurs on the X axis, the #LIMSWI subroutine will be executed.

Notes regarding the #LIMSWI Routine:

- 1) The RE command is used to return from the #LIMSWI subroutine.
- 2) The #LIMSWI subroutine will be re-executed if the limit switch remains active.
- 3) The #LIMSWI routine is only executed when the motor is being commanded to move.

Example - Position Error

| Instruction | Interpretation |
|----------------------------|------------------------|
| #LOOP | Dummy Program |
| JP #LOOP;EN | Loop |
| #POSERR | Position Error Routine |
| V1=_TEX | Read Position Error |
| MG "EXCESS POSITION ERROR" | Print Message |
| MG "ERROR=",V1= | Print Error |
| RE | Return from Error |

While running the 'dummy' program, if the position error on the X axis exceeds that value specified by the ER command, the #POSERR routine will execute.

NOTE: The RE command is used to return from the #POSERR subroutine

NOTE: The #POSERR routine will continue to be executed until the position error is cleared (is less than the ER limit).

Example - Input Interrupt

| Instruction | Interpretation |
|--------------------------|---|
| #A | Label |
| II1 | Input Interrupt on 1 |
| JG 30000,,,60000 | Jog |
| BGXW | Begin Motion |
| #LOOP;JP#LOOP;EN | Loop |
| #ININT | Input Interrupt |
| STXW;AM | Stop Motion |
| #TEST;JP #TEST, @IN[1]=0 | Test for Input 1 still low |
| JG 30000,,,6000 | Restore Velocities |
| BGXW;RI | Begin motion and Return to Main Program |
| EN | |

NOTE: Use the RI command to return from #ININT subroutine.

Example - Motion Complete Timeout

| Instruction | Interpretation |
|--------------------|-----------------------------|
| #BEGIN | Begin main program |
| TW 1000 | Set the time out to 1000 ms |
| PA 10000 | Position Absolute command |
| BGX | Begin motion |
| MCX | Motion Complete trip point |
| EN | End main program |
| #MCTIME | Motion Complete Subroutine |
| MG "X fell short" | Send out a message |
| EN | End subroutine |

This simple program will issue the message "X fell short" if the X axis does not reach the commanded position within 1 second of the end of the profiled move.

Example - Bad Command

| Instruction | Interpretation |
|-------------------------|----------------------------|
| #BEGIN | Begin main program |
| IN "ENTER SPEED", SPEED | Prompt for speed |
| JG SPEED;BGX; | Begin motion |
| JP #BEGIN | Repeat |
| EN | End main program |
| #CMDERR | Command error utility |
| JP#DONE,_ED<>2 | Check if error on line 2 |
| JP#DONE,_TC<>6 | Check if out of range |
| MG "SPEED TOO HIGH" | Send message |
| MG "TRY AGAIN" | Send message |
| ZS1 | Adjust stack |
| JP #BEGIN | Return to main program |
| #DONE | End program if other error |
| ZS0 | Zero stack |
| EN | End program |

The above program prompts the operator to enter a jog speed. If the operator enters a number out of range (greater than 8 million), the #CMDERR routine will be executed prompting the operator to enter a new number.

Mathematical and Functional Expressions

Mathematical Expressions

For manipulation of data, the DMC-1000 provides the use of the following mathematical operators:

| OPERATOR | FUNCTION |
|----------|--|
| + | Addition |
| - | Subtraction |
| * | Multiplication |
| / | Division |
| & | Logical And (Bit-wise) |
| | Logical Or (On some computers, a solid vertical line appears as a broken line) |
| () | Parenthesis |

The numeric range for addition, subtraction and multiplication operations is +/-2,147,483,647.9999. The precision for division is 1/65,000.

Mathematical operations are executed from left to right. Calculations within a parentheses have precedence.

Examples of MATHEMATICAL EXPRESSION

SPEED=7.5*V1/2

The variable, SPEED, is equal to 7.5 multiplied by V1 and divided by 2

| | |
|---------------------------|---|
| COUNT=COUNT+2 | The variable, COUNT, is equal to the current value plus 2. |
| RESULT=_TPX-(@COS[45]*40) | Puts the position of X - 28.28 in RESULT. 40 * cosine of 45° is 28.28 |
| TEMP=@IN[1]&@IN[2] | TEMP is equal to 1 only if Input 1 and Input 2 are high |

Bit-Wise Operators

The mathematical operators & and | are bit-wise operators. The operator, &, is a Logical And. The operator, |, is a Logical Or. These operators allow for bit-wise operations on any valid DMC-1000 numeric operand, including variables, array elements, numeric values, functions, keywords, and arithmetic expressions. The bit-wise operators may also be used with strings.

Bit-wise operators are useful for separating characters from an input string. When using the input command for string input, the input variable holds 6 bytes of data. Each byte is eight bits, so a number represented as 32 bits of integer and 16 bits of fraction. Each ASCII character is represented as one byte (8 bits), therefore the input variable can hold a six character string. The first character of the string will be placed in the top byte of the variable and the last character will be placed in the lowest significant byte of the fraction. The characters can be individually separated by using bit-wise operations as illustrated in the following example:

| Instruction | Interpretation |
|---------------------------------|---|
| #TEST | Begin main program |
| IN "ENTER",LEN{S6} | Input character string up to 6 characters into variable 'LEN' |
| FLEN=@FRAC[LEN] | Define variable 'FLEN' as fractional part of variable 'LEN' |
| FLEN=\$10000*FLEN | Shift FLEN by 32 bits (Convert fraction, FLEN, to integer) |
| LEN1=(FLEN&\$00FF)*\$1000000 | Set 4 th byte of FLEN = 1 st byte of variable LEN1 |
| LEN2=(FLEN&\$FF00)*\$10000 | Set 3 rd byte of FLEN = 1 st byte of variable of LEN2 |
| LEN3=(LEN&\$000000FF)*\$1000000 | Set 1 st byte of variable LEN3 = 4 th byte of LEN |
| LEN4=(LEN&\$0000FF00)*\$10000 | Set 1 st byte of variable LEN4 = 3 rd byte of LEN |
| LEN5=(LEN&\$00FF0000)*\$100 | Set 1 st byte of variable LEN5 = 2 nd byte of LEN |
| LEN6=(LEN&\$FF000000) | Set 1 st byte of variable LEN6 = 1 st byte of LEN |
| MG LEN6 {S1} | Display 'LEN6' as string message of 1 char |
| MG LEN5 {S1} | Display 'LEN5' as string message of 1 char |
| MG LEN4 {S1} | Display 'LEN4' as string message of 1 char |
| MG LEN3 {S1} | Display 'LEN3' as string message of 1 char |
| MG LEN2 {S1} | Display 'LEN2' as string message of 1 char |
| MG LEN1 {S1} | Display 'LEN1' as string message of 1 char |
| EN | |

This program will accept a string input of up to 6 characters, parse each character, and then display each character. Notice also that the values used for masking are represented in hexadecimal (as denoted by the preceding '\$'). For more information, see section *Sending Messages*.

To illustrate further, if the user types in the string “TESTME” at the input prompt, the controller will respond with the following:

T Response from command MG LEN6 {S1}
 E Response from command MG LEN5 {S1}
 S Response from command MG LEN4 {S1}
 T Response from command MG LEN3 {S1}
 M Response from command MG LEN2 {S1}
 E Response from command MG LEN1 {S1}

Functions

| FUNCTION | DESCRIPTION |
|----------|---|
| @SIN[n] | Sine of n (n in degrees with range of -32768 to 32767 and 16-bit fractional resolution) |
| @COS[n] | Cosine of n (n in degrees with range of -32768 to 32767 and 16-bit fractional resolution) |
| @COM[n] | 1's Compliment of n |
| @ABS[n] | Absolute value of n |
| @FRAC[n] | Fraction portion of n |
| @INT[n] | Integer portion of n |
| @RND[n] | Round of n (Rounds up if the fractional part of n is .5 or greater) |
| @SQR[n] | Square root of n (Accuracy is +/- .004) |
| @IN[n] | Return status of digital input n |
| @OUT[n] | Return status of digital output n |
| @AN[n] | Return voltage measured at analog input n |

Functions may be combined with mathematical expressions. The order of execution of mathematical expressions is from left to right and can be over-ridden by using parentheses.

Examples - Using Functions

V1=@ABS[V7] The variable, V1, is equal to the absolute value of variable V7.
 V2=5*@SIN[POS] The variable, V2, is equal to five times the sine of the variable, POS.
 V3=@IN[1] The variable, V3, is equal to the digital value of input 1.
 V4=2*(5+@AN[5]) The variable, V4, is equal to the value of analog input 5 plus 5, then multiplied by 2.

Variables

The maximum number of variables available with a DMC-1000 controller depends on the controller configuration: 126 variables are available for 1-4 axes controllers, 510 variables with 1-4 axes and the -MX option, and 254 variables with controllers of 5 or more axes. These variables can be numbers or strings. Variables are useful in applications where specific parameters, such as position or speed, must be able to change. Variables can be assigned by an operator or determined by program calculations. For example, a cut-to-length application may require that a cut length be variable.

Each variable is defined by a name which can be up to eight characters. The name must start with an alphabetic character, however, numbers are permitted in the rest of the name. Spaces are not permitted. Variable names should not be the same as DMC-1000 instructions. For example, PR is not a good choice for a variable name.

Examples - Valid Variable Names

POSX
POS1
SPEEDZ

Examples - Invalid Variable Names

| Variable | Problem |
|-----------------|--|
| REALLONGNAME | Cannot have more than 8 characters |
| 124 | Cannot begin variable name with a number |
| SPEED Z | Cannot have spaces in the name |

Assigning Values to Variables:

Assigned values can be numbers, internal variables and keywords, functions, controller parameters and strings;

Variables hold 6 bytes of data, 4 bytes of integer (2^{31}) followed by two bytes of fraction providing a range of values of +/-2,147,483,647.9999.

Numeric values can be assigned to programmable variables using the equal sign.

Any valid DMC-1000 function can be used to assign a value to a variable. For example, V1=@ABS[V2] or V2=@IN[1]. Arithmetic operations are also permitted.

To assign a string value, the string must be in quotations. String variables can contain up to six characters which must be in quotations.

Variable values may be assigned to controller parameters such as PR or SP.

Examples - Assigning values to variables

| Instruction | Interpretation |
|--------------------|--|
| POSX=_TPX | Assigns returned value from TPX command to variable POSX. |
| SPEED=5.75 | Assigns value 5.75 to variable SPEED |
| INPUT=@IN[2] | Assigns logical value of input 2 to variable INPUT |
| V2=V1+V3*V4 | Assigns the value of V1 plus V3 times V4 to the variable V2. |
| VAR="CAT" | Assign the string, CAT, to VAR |
| PR V1 | Assign value of variable V1 to PR command for X axis |
| SP VS*2000 | Assign VS*2000 to SP command |

Displaying the value of variables at the terminal

Variables may be sent to the screen using the format, variable=. For example, V1= , returns the value of the variable V1.

Example - Using Variables for Joystick

The example below reads the voltage of an X-Y joystick and assigns it to variables VX and VY to drive the motors at proportional velocities, where

$$10 \text{ Volts} = 3000 \text{ rpm} = 200000 \text{ c/sec}$$

$$\text{Speed/Analog input} = 200000/10 = 20000$$

| Instruction | Interpretation |
|--------------------|-----------------------|
| #JOYSTIK | Label |
| JG 0,0 | Set in Jog mode |
| BGXY | Begin Motion |
| #LOOP | Loop |
| VX=@AN[1]*20000 | Read joystick X |
| VY=@AN[2]*20000 | Read joystick Y |
| JG VX,VY | Jog at variable VX,VY |
| JP#LOOP | Repeat |
| EN | End |

Operands

Operands allow motion or status parameters of the DMC-1000 to be incorporated into programmable variables and expressions. An operand contains data and must be used in a valid expression or function. Most DMC-1000 commands have an equivalent operand - which are designated by adding an underscore (_) prior to the DMC-1000 command. Commands which have an associated operand are listed in the Command Reference as "Used as an Operand" .. Yes.

Status commands such as Tell Position return actual values, whereas action commands such as GN or SP return the values in the DMC-1000 registers. The axis designation is required following the command.

Examples of operand usage

| | |
|-----------------|---|
| POSX=_TPX | Assigns value from Tell Position X to the variable POSX. |
| GAIN=_GNZ*2 | Assigns value from GNZ multiplied by two to variable, GAIN. |
| JP #LOOP,_TEX>5 | Jump to #LOOP if the position error of X is greater than 5 |
| JP #ERROR,_TC=1 | Jump to #ERROR if the error code equals 1. |

Operands can be used in an expression and assigned to a programmable variable, but they cannot be assigned a value. For example: _GNX=2 is invalid.

The value of an operand can be output to the computer with the message command, MG. IE. MG _TEX sends the current position error value on axis X to the computer.

Special Operands (Keywords)

The DMC-1000 provides a few operands which give access to internal variables that are not accessible by standard DMC-1000 commands.

| KEYWORD | FUNCTION |
|---------|--|
| _BGn | *Is equal to a 1 if motion on axis 'n' is complete, otherwise equal to 0. |
| _DA | *Is equal to the number of arrays available |
| _DL | *Is equal to the number of available labels for programming |
| _DM | *Is equal to the available array memory |
| _HMn | *Is equal to status of Home Switch (equals 0 or 1) |
| _LFn | Is equal to status of Forward Limit switch input of axis 'n' (equals 0 or 1) |
| _LRX | Is equal to status of Reverse Limit switch input of axis 'n' (equals 0 or 1) |
| _UL | *Is equal to the number of available variables |
| TIME | Free-Running Real Time Clock (off by 2.4% - Resets with power-on). Note: TIME does not use an underscore character (_) as other keywords. |

* - These keywords have corresponding commands while the keywords _LF, _LR, and TIME do not have any associated commands. All keywords are listed in the Command Summary, Chapter 11.

Examples of Keywords

| Instruction | Interpretation |
|-------------|---|
| V1=_LFX | Assign V1 the logical state of the Forward Limit Switch on the X-axis |
| V3=TIME | Assign V3 the current value of the time clock |
| V4=_HMW | Assign V4 the logical state of the Home input on the W-axis |

Arrays

For storing and collecting numerical data, the DMC-1000 provides array space for 1600 elements or 8000 elements for controllers with 5 or more axes, or with controller with the -MX option. The arrays are one dimensional and up to 14 different arrays may be defined (30 for controllers with 5 or more axes, or the -MX option). Each array element has a numeric range of 4 bytes of integer (2^{31}) followed by two bytes of fraction (+/-2,147,483,647.9999).

Arrays can be used to capture real-time data, such as position, torque and analog input values. In the contouring mode, arrays are convenient for holding the points of a position trajectory in a record and playback application.

Defining Arrays

An array is defined with the command DM. The user must specify a name and the number of entries to be held in the array. An array name can contain up to eight characters, starting with an uppercase alphabetic character. The number of entries in the defined array is enclosed in [].

Example - USING THE COMMAND, DM

| Instruction | Interpretation |
|--------------------|--|
| DM POSX[7] | Defines an array names POSX with seven entries |
| DM SPEED[100] | Defines an array named speed with 100 entries |
| DM POSX[0] | Frees array space |

Assignment of Array Entries

Like variables, each array element can be assigned a value. Assigned values can be numbers or returned values from instructions, functions and keywords.

Array elements are addressed starting at count 0. For example the first element in the POSX array (defined with the DM command, DM POSX[7]) would be specified as POSX[0].

Values are assigned to array entries using the equal sign. Assignments are made one element at a time by specifying the element number with the associated array name.

NOTE: Arrays must be defined using the command, DM, before assigning entry values.

Examples - assigning values to array entries

| Instruction | Interpretation |
|--------------------|---|
| DM SPEED[10] | Dimension Speed Array |
| SPEED[1]=7650.2 | Assigns the first element of the array, SPEED the value 7650.2 |
| SPEED[1]= | Returns array element value |
| POSX[10]=_TPX | Assigns the 10th element of the array POSX the returned value from the tell position command. |
| CON[2]=@COS[POS]*2 | Assigns the second element of the array CON the cosine of the variable POS multiplied by 2. |
| TIMER[1]=TIME | Assigns the first element of the array timer the returned value of the TIME keyword. |

Using a Variable to Address Array Elements

An array element number can also be a variable. This allows array entries to be assigned sequentially using a counter. For example;

| Instruction | Interpretation |
|--------------------|---|
| #A | Begin Program |
| COUNT=0;DM POS[10] | Initialize counter and define array |
| #LOOP | Begin loop |
| WT 10 | Wait 10 msec |
| POS[COUNT]=_TPX | Record position into array element |
| POS[COUNT]= | Report position |
| COUNT=COUNT+1 | Increment counter |
| JP #LOOP,COUNT<10 | Loop until 10 elements have been stored |
| EN | End Program |

The above example records 10 position values at a rate of one value per 10 msec. The values are stored in an array named POS. The variable, COUNT, is used to increment the array element counter. The above example can also be executed with the automatic data capture feature described below.

Uploading and Downloading Arrays to On Board Memory

Arrays may be uploaded and downloaded using the QU and QD commands.

QU array[],start,end,delim

QD array[],start,end

where array is an array name such as A[].

Start is the first element of array (default=0)

End is the last element of array (default=last element)

Delim specifies whether the array data is separated by a comma (delim=1) or a carriage return (delim=0).

The file is terminated using <control>Z, <control>Q, <control>D or \.

Automatic Data Capture into Arrays

The DMC-1000 provides a special feature for automatic capture of data such as position, position error, inputs or torque. This is useful for teaching motion trajectories or observing system performance. Up to four types of data can be captured and stored in four arrays. For controllers with 5 or more axes, up to eight types of data can be captured and stored in eight arrays. The capture rate or time interval may be specified. Recording can be done as a one time event or as a circular continuous recording.

Command Summary - Automatic Data Capture

| COMMAND | DESCRIPTION |
|----------------------------|---|
| RA n[],m[],o[],p[] | Selects up to four arrays (eight arrays for DMC-1080) for data capture. The arrays must be defined with the DM command. |
| RD type1,type2,type3,type4 | Selects the type of data to be recorded, where type1, type2, type3, and type 4 represent the various types of data (see table below). The order of data type is important and corresponds with the order of n,m,o,p arrays in the RA command. |
| RC n,m | The RC command begins data collection. Sets data capture time interval where n is an integer between 1 and 8 and designates 2 ⁿ msec between data. m is optional and specifies the number of elements to be captured. If m is not defined, the number of elements defaults to the smallest array defined by DM. When m is a negative number, the recording is done continuously in a circular manner. _RD is the recording pointer and indicates the address of the next array element. n=0 stops recording. |
| RC? | Returns a 0 or 1 where, 0 denotes not recording, 1 specifies recording in progress |

Data Types for Recording:

| DATA TYPE | DESCRIPTION |
|-----------|-------------------------------------|
| _DEX | 2nd encoder position (dual encoder) |
| _TPX | Encoder position |
| _TEX | Position error |
| _SHX | Commanded position |
| _RLX | Latched position |
| _TI | Inputs |
| _OP | Output |

| | |
|------|--|
| _TSX | Switches (only bit 0-4 valid) |
| _SCX | Stop code |
| _NOX | Status bits |
| _TTX | Torque (reports digital value +/-8097) |

Note: X may be replaced by Y,Z or W for capturing data on other axes, or A,B,C,D,E,F,G,H for DMC-1080.

Operand Summary - Automatic Data Capture

| | |
|-----|--|
| _RC | Returns a 0 or 1 where, 0 denotes not recording, 1 specifies recording in progress |
| _RD | Returns address of next array element. |

Example - Recording into An Array

During a position move, store the X and Y positions and position error every 2 msec.

| Instruction | Interpretation |
|--------------------------------|--|
| #RECORD | Begin program |
| DM XPOS[300],YPOS[300] | Define X,Y position arrays |
| DM XERR[300],YERR[300] | Define X,Y error arrays |
| RA XPOS[],XERR[],YPOS[],YERR[] | Select arrays for capture |
| RD _TPX,_TEX,_TPY,_TEY | Select data types |
| PR 10000,20000 | Specify move distance |
| RC1 | Start recording now, at rate of 2 msec |
| BG XY | Begin motion |
| #A;JP #A,RC=1 | Loop until done |
| MG "DONE" | Print message |
| EN | End program |
| #PLAY | Play back |
| N=0 | Initial Counter |
| JP# DONE,N>300 | Exit if done |
| N= | Print Counter |
| X POS[N]= | Print X position |
| Y POS[N]= | Print Y position |
| XERR[N]= | Print X error |
| YERR[N]= | Print Y error |
| N=N+1 | Increment Counter |
| #DONE | Done |

Deallocating Array Space

Array space may be deallocated using the DA command followed by the array name. DA*[0] deallocates all the arrays.

Input of Data (Numeric and String)

Input of Data

The command, IN, is used to prompt the user to input numeric or string data. Using the IN command, the user may specify a message prompt by placing a message in quotations. When the controller executes an IN command, the controller will wait for the input of data. The input data is assigned to the specified variable or array element.

Example - Inputting Numeric Data

| Instruction | Interpretation |
|-------------------------|--|
| #A | Program label |
| IN "Enter Length", LENX | Use input command, IN, to query the user |
| EN | End the program |

In this example, the message "Enter Length" is displayed on the computer screen. The controller waits for the operator to enter a value. The operator enters the numeric value which is assigned to the variable, LENX.

Cut-to-Length Example

In this example, a length of material is to be advanced a specified distance. When the motion is complete, a cutting head is activated to cut the material. The length is variable, and the operator is prompted to input it in inches. Motion starts with a start button which is connected to input 1.

The load is coupled with a 2 pitch lead screw. A 2000 count/rev encoder is on the motor, resulting in a resolution of 4000 counts/inch. The program below uses the variable LEN, to length. The IN command is used to prompt the operator to enter the length, and the entered value is assigned to the variable LEN.

| Instruction | Interpretation |
|-------------------------------|--------------------------------------|
| #BEGIN | LABEL |
| AC 800000 | Acceleration |
| DC 800000 | Deceleration |
| SP 5000 | Speed |
| LEN=3.4 | Initial length in inches |
| #CUT | Cut routine |
| AI1 | Wait for start signal |
| IN "enter Length(IN)", LEN | Prompt operator for length in inches |
| PR LEN *4000 | Specify position in counts |
| BGX | Begin motion to move material |
| AMX | Wait for motion done |
| SB1 | Set output to cut |
| WT100;CB1 | Wait 100 msec, then turn off cutter |
| JP #CUT | Repeat process |
| EN | End program |

Inputting String Variables

String variables with up to six characters may be input using the specifier, {Sn} where n represents the number of string characters to be input. If n is not specified, six characters will be accepted. For example, IN "Enter X,Y or Z", V{S} specifies a string variable to be input.

The DMC-1000, stores all variables as 6 bytes of information. When a variable is specified as a number, the value of the variable is represented as 4 bytes of integer and 2 bytes of fraction. When a variable is specified as a string, the variable can hold up to 6 characters (each ASCII character is 1 byte). When using the IN command for string input, the first input character will be placed in the top byte of the variable and the last character will be placed in the lowest significant byte of the fraction. The characters can be individually separated by using bit-wise operations, see section *Bit-Wise Operators*.

Output of Data (Numeric and String)

Numerical and string data can be output from the controller using several methods. The message command, MG, can output string and numerical data. Also, the controller can be commanded to return the values of variables and arrays, as well as other information using the interrogation commands (the interrogation commands are described in chapter 5).

Sending Messages

Messages may be sent to the bus using the message command, MG. This command sends specified text and numerical or string data from variables or arrays to the screen.

Text strings are specified in quotes and variable or array data is designated by the name of the variable or array. For example:

```
MG "The Final Value is", RESULT
```

In addition to variables, functions and commands, responses can be used in the message command. For example:

```
MG "Analog input is", @AN[1]
```

```
MG "The Gain of X is", _GNX
```

Formatting Messages

String variables can be formatted using the specifier, {Sn} where n is the number of characters, 1 through 6. For example:

```
MG STR {S3}
```

This statement returns 3 characters of the string variable named STR.

Numeric data may be formatted using the {Fn.m} expression following the completed MG statement. {\$n.m} formats data in HEX instead of decimal. The actual numerical value will be formatted with n characters to the left of the decimal and m characters to the right of the decimal. Leading zeros will be used to display specified format.

For example::

```
MG "The Final Value is", RESULT {F5.2}
```

If the value of the variable RESULT is equal to 4.1, this statement returns the following:

```
The Final Value is 00004.10
```


If the value of the variable RESULT is equal to 999999.999, the above message statement returns the following:

The Final Value is 99999.99

The message command normally sends a carriage return and line feed following the statement. The carriage return and the line feed may be suppressed by sending {N} at the end of the statement. This is useful when a text string needs to surround a numeric value.

Example:

```
#A
JG 50000;BGX;ASX
MG "The Speed is", _TVX {F5.1} {N}
MG "counts/sec"
EN
```

When #A is executed, the above example will appear on the screen as:

The speed is 50000 counts/sec

Using the MG Command to Configure Terminals

The MG command can be used to configure a terminal. Any ASCII character can be sent by using the format {^n} where n is any integer between 1 and 255.

Example:

```
MG {^07} {^255}
```

sends the ASCII characters represented by 7 and 255 to the bus.

Summary of Message Functions:

| FUNCTION | DESCRIPTION |
|----------|---|
| " " | Surrounds text string |
| {Fn.m} | Formats numeric values in decimal n digits to the right of the decimal point and m digits to the left |
| {\$n.m} | Formats numeric values in hexadecimal |
| {^n} | Sends ASCII character specified by integer n |
| {N} | Suppresses carriage return/line feed |
| {Sn} | Sends the first n characters of a string variable, where n is 1 through 6. |

Interrogation Commands

The DMC-1700 has a set of commands that directly interrogate the controller. When these commands are entered, the requested data is returned in decimal format on the next line followed by a carriage return and line feed. The format of the returned data can be changed using the Position Format (PF), and Leading Zeros (LZ) command. For a complete description of interrogation commands, see chapter 5.

Using the PF Command to Format Response from Interrogation Commands

The command, PF, can change format of the values returned by these interrogation commands:

| | |
|------|------|
| BL ? | LE ? |
| DE ? | PA ? |
| DP ? | PR ? |
| EM ? | TN ? |
| FL ? | VE ? |
| IP ? | TE |
| TP | |

The numeric values may be formatted in decimal or hexadecimal* with a specified number of digits to the right and left of the decimal point using the PF command.

Position Format is specified by:

PF m.n

where m is the number of digits to the left of the decimal point (0 thru 10) and n is the number of digits to the right of the decimal point (0 thru 4) A negative sign for m specifies hexadecimal format.

Hex values are returned preceded by a \$ and in 2's complement. Hex values should be input as signed 2's complement, where negative numbers have a negative sign. The default format is PF 10.0.

If the number of decimal places specified by PF is less than the actual value, a nine appears in all the decimal places.

Examples:

| | |
|------------|--|
| :DP21 | Define position |
| :TPX | Tell position |
| 0000000021 | Default format |
| :PF4 | Change format to 4 places |
| :TPX | Tell position |
| 0021 | New format |
| :PF-4 | Change to hexadecimal format |
| :TPX | Tell Position |
| \$0015 | Hexadecimal value |
| :PF2 | Format 2 places |
| :TPX | Tell Position |
| 99 | Returns 99 if position greater than 99 |

Removing Leading Zeros from Response to Interrogation Response

The leading zeros on data returned as a response to interrogation commands can be removed by the use of the command, LZ.

Example - Using the LZ command

| | |
|---|---|
| LZ0 | Disables the LZ function |
| TP | Tell Position Interrogation Command |
| -0000000009, 0000000005, 0000000000, 0000000007 | Response from Interrogation Command (With Leading Zeros) |

| | |
|-------------|--|
| LZ1 | Enables the LZ function |
| TP | Tell Position Interrogation Command |
| -9, 5, 0, 7 | Response from Interrogation Command (Without Leading Zeros) |

Local Formatting of Response of Interrogation Commands

The response of interrogation commands may be formatted locally. To format locally, use the command, {Fn.m} or {\$n.m} on the same line as the interrogation command. The symbol F specifies that the response should be returned in decimal format and \$ specifies hexadecimal. n is the number of digits to the left of the decimal, and m is the number of digits to the right of the decimal. For example:

Examples:

| | |
|---------------------------------------|---|
| TP {F2.2} | Tell Position in decimal format 2.2 |
| -05.00, 05.00, 00.00, 07.00 | Response from Interrogation Command |
| TP {\$4.2} | Tell Position in hexadecimal format 4.2 |
| FFFB.00,\$0005.00,\$0000.00,\$0007.00 | Response from Interrogation Command |

Formatting Variables and Array Elements

The Variable Format (VF) command is used to format variables and array elements. The VF command is specified by:

VF m.n

where m is the number of digits to the left of the decimal point (0 through 10) and n is the number of digits to the right of the decimal point (0 through 4).

A negative sign for m specifies hexadecimal format. The default format for VF is VF 10.4 Hex values are returned preceded by a \$ and in 2's complement.

| Instruction | Interpretation |
|--------------------|--|
| V1=10 | Assign V1 |
| V1= | Return V1 |
| 0000000010.0000 | Response from controller with default format |
| VF2.2 | Change format |
| V1= | Return V1 |
| 10.00 | Response from controller with new format |
| VF-2.2 | Specify hex format |
| V1= | Return V1 |
| \$0A.00 | Response from controller in hexadecimal format |
| VF1 | Change format |
| V1= | Return V1 |
| 9 | Response from controller - returns 9 if value greater than 9 |

Local Formatting of Variables

PF and VF commands are global format commands that effect the format of all relevant returned values and variables. Variables may also be formatted locally. To format locally, use the command, {Fn.m} or {\$n.m} following the variable name and the '=' symbol. F specifies decimal and \$ specifies hexadecimal. n is the number of digits to the left of the decimal, and m is the number of digits to the right of the decimal. For example:

| Instruction | Interpretation |
|--------------------|--|
| V1=10 | Assign V1 |
| V1= | Return V1 |
| 0000000010.0000 | Response from controller with default format |
| V1={F4.2} | Specify local format |
| 0010.00 | Response from controller with new format |
| V1={\$4.2} | Specify hex format |
| \$000A.00 | Response from controller in hexadecimal format |
| V1="ALPHA" | Assign string "ALPHA" to V1 |
| V1={S4} | Specify string format first 4 characters |
| ALPH | Response from controller in string format |

The local format is also used with the MG command.

Converting to User Units

Variables and arithmetic operations make it easy to input data in desired user units such as inches or RPM.

The DMC-1000 position parameters such as PR, PA and VP have units of quadrature counts. Speed parameters such as SP, JG and VS have units of counts/sec. Acceleration parameters such as AC, DC, VA and VD have units of counts/sec². The controller interprets time in milliseconds.

All input parameters must be converted into these units. For example, an operator can be prompted to input a number in revolutions. A program could be used such that the input number is converted into counts by multiplying it by the number of counts/revolution.

Example - converting to user units

| Instruction | Interpretation |
|---------------------------------|------------------------------------|
| #RUN | Label |
| IN "ENTER # OF REVOLUTIONS",N1 | Prompt for revs |
| PR N1*2000 | Convert to counts |
| IN "ENTER SPEED IN RPM",S1 | Prompt for RPMs |
| SP S1*2000/60 | Convert to counts/sec |
| IN "ENTER ACCEL IN RAD/SEC2",A1 | Prompt for ACCEL |
| AC A1*2000/(2*3.14) | Convert to counts/sec ² |
| BG | Begin motion |
| EN | End program |

Programmable Hardware I/O

Digital Outputs

The DMC-1000 has an 8-bit uncommitted output port for controlling external events. The DMC-1080 has an additional eight output bits available at JD5 pins 10-17. Each bit on the output port may be set and cleared with the software instructions SB (Set Bit) and CB(Clear Bit), or OB (define output bit).

Example - Using Set Bit and Clear Bit Commands (SB, CB)

| Instruction | Interpretation |
|--------------------|--|
| SB6 | Sets bit 6 of output port |
| CB4 | Clears bit 4 of output port |
| CB9 | Clear bit 9 of output port on DMC-1080 |

The Output Bit (OB) instruction is useful for setting or clearing outputs depending on the value of a variable, array, input or expression. Any non-zero value results in a set bit.

Example - Using the output bit Command (OB)

| Instruction | Interpretation |
|-----------------------|---|
| OB1, POS | Set Output 1 if the variable POS is non-zero. Clear Output 1 if POS equals 0. |
| OB 2, @IN [1] | Set Output 2 if Input 1 is high. If Input 1 is low, clear Output 2. |
| OB 3, @IN [1]&@IN [2] | Set Output 3 only if Input 1 and Input 2 are high. |
| OB 4, COUNT [1] | Set Output 4 if element 1 in the array COUNT is non-zero. |

The output port can be set by specifying an 8-bit word using the instruction OP (Output Port). This instruction allows a single command to define the state of the entire 8-bit output port, where 2^0 is output 1, 2^1 is output 2 and so on. A 1 designates that the output is on.

Example - Using the output PORT Command (op)

| Instruction | Interpretation |
|--------------------|---|
| OP6 | Sets outputs 2 and 3 of output port to high. All other bits are 0. ($2^1 + 2^2 = 6$) |
| OP0 | Clears all bits of output port to zero |
| OP 255 | Sets all bits of output port to one. ($2^2 + 2^1 + 2^2 + 2^3 + 2^4 + 2^5 + 2^6 + 2^7$) |

Example - Using OP to turn on output after move

| Instruction | Interpretation |
|--------------------|-----------------------|
| #OUTPUT | Label |
| PR 2000 | Position Command |
| BG | Begin |
| AM | After move |
| SB1 | Set Output 1 |
| WT 1000 | Wait 1000 msec |
| CB1 | Clear Output 1 |
| EN | End |

Digital Inputs

The DMC-1000 has eight digital inputs for controlling motion by local switches. The @IN[n] function returns the logic level of the specified input 1 through 8. For example, a Jump on Condition instruction can be used to execute a sequence if a high condition is noted on an input 3. To halt program execution, the After Input (AI) instruction waits until the specified input has occurred.

Example - Using the AI command:

| Instruction | Interpretation |
|--------------------|------------------------------|
| JP #A,@IN[1]=0 | Jump to A if input 1 is low |
| JP #B,@IN[2]=1 | Jump to B if input 2 is high |
| AI 7 | Wait until input 7 is high |
| AI -6 | Wait until input 6 is low |

Example - Start Motion on Switch

Motor X must turn at 4000 counts/sec when the user flips a panel switch to on. When panel switch is turned to off position, motor X must stop turning.

Solution: Connect panel switch to input 1 of DMC-1000. High on input 1 means switch is in on position.

| Instruction | Interpretation |
|--------------------|-------------------------------|
| #S;JG 4000 | Set speed |
| AI 1;BGX | Begin after input 1 goes high |
| AI -1;STX | Stop after input 1 goes low |
| AMX;JP #S | After motion, repeat |
| EN; | |

Input Interrupt Function

The DMC-1000 provides an input interrupt function which causes the program to automatically execute the instructions following the #ININT label. This function is enabled using the II m,n,o command. The m specifies the beginning input and n specifies the final input in the range. The parameter o is an interrupt mask. If m and n are unused, o contains a number with the mask. A 1 designates that input to be enabled for an interrupt, where 2^0 is bit 1, 2^1 is bit 2 and so on. For example, II,,5 enables inputs 1 and 3 ($2^0 + 2^2 = 5$).

A low input on any of the specified inputs will cause automatic execution of the #ININT subroutine. The Return from Interrupt (RI) command is used to return from this subroutine to the place in the program where the interrupt had occurred. If it is desired to return to somewhere else in the program after the execution of the #ININT subroutine, the Zero Stack (ZS) command is used followed by unconditional jump statements.

IMPORTANT: Use the RI instruction (not EN) to return from the #ININT subroutine.

Examples - Input Interrupt

| Instruction | Interpretation |
|--------------------|---------------------------------------|
| #A | Label #A |
| II 1 | Enable input 1 for interrupt function |
| JG 3000,-20000 | Set speeds on X and Y axes |
| BG XY | Begin motion on X and Y axes |
| #B | Label #B |
| TP XY | Report X and Y axes positions |
| WT 1000 | Wait 1000 milliseconds |
| JP #B | Jump to #B |
| EN | End of program |
| #ININT | Interrupt subroutine |

| | |
|-------------------------|----------------------------------|
| MG "Interrupt occurred" | Display message |
| ST XY | Stops motion on X and Y axes |
| #LOOP;JP | Loop until Interrupt cleared |
| #LOOP,@IN[1]=0 | |
| JG 15000,10000 | Specify new speeds |
| WT 300 | Wait 300 milliseconds |
| BG XY | Begin motion on X and Y axes |
| RI | Return from Interrupt subroutine |

Analog Inputs

The DMC-1000 provides seven analog inputs. The value of these inputs in volts may be read using the @AN[n] function where n is the analog input 1 through 7. The resolution of the Analog-to-Digital conversion is 12 bits. Analog inputs are useful for reading special sensors such as temperature, tension or pressure.

The following examples show programs which cause the motor to follow an analog signal. The first example is a point-to-point move. The second example shows a continuous move.

Example - Position Follower (Point-to-Point)

Objective - The motor must follow an analog signal. When the analog signal varies by 10V, motor must move 10000 counts.

Method: Read the analog input and command X to move to that point.

| Instruction | Interpretation |
|--------------------|---|
| #Points | Label |
| SP 7000 | Speed |
| AC 80000;DC 80000 | Acceleration |
| #Loop | |
| VP=@AN[1]*1000 | Read and analog input, compute position |
| PA VP | Command position |
| BGX | Start motion |
| AMX | After completion |
| JP #Loop | Repeat |
| EN | End |

Example - Position Follower (Continuous Move)

Method: Read the analog input, compute the commanded position and the position error. Command the motor to run at a speed in proportions to the position error.

| Instruction | Interpretation |
|--------------------|--------------------------|
| #Cont | Label |
| AC 80000;DC 80000 | Acceleration rate |
| JG 0 | Start job mode |
| BGX | Start motion |
| #Loop | |
| VP=@AN[1]*1000 | Compute desired position |
| VE=VP-_TPX | Find position error |

| | |
|-----------|------------------|
| VEL=VE*20 | Compute velocity |
| JG VEL | Change velocity |
| JP #Loop | Change velocity |
| EN | End |

Example Applications

Wire Cutter

An operator activates a start switch. This causes a motor to advance the wire a distance of 10". When the motion stops, the controller generates an output signal which activates the cutter. Allowing 100 ms for the cutting completes the cycle.

Suppose that the motor drives the wire by a roller with a 2" diameter. Also assume that the encoder resolution is 1000 lines per revolution. Since the circumference of the roller equals 2π inches, and it corresponds to 4000 quadrature, one inch of travel equals:

$$4000/2\pi = 637 \text{ count/inch}$$

This implies that a distance of 10 inches equals 6370 counts, and a slew speed of 5 inches per second, for example, equals 3185 count/sec.

The input signal may be applied to I1, for example, and the output signal is chosen as output 1. The motor velocity profile and the related input and output signals are shown in Fig. 7.1.

The program starts at a state that we define as #A. Here the controller waits for the input pulse on I1. As soon as the pulse is given, the controller starts the forward motion.

Upon completion of the forward move, the controller outputs a pulse for 20 ms and then waits an additional 80 ms before returning to #A for a new cycle.

| Instruction | Function |
|--------------------|--------------------------|
| #A | Label |
| AI1 | Wait for input 1 |
| PR 6370 | Distance |
| SP 3185 | Speed |
| BGX | Start Motion |
| AMX | After motion is complete |
| SB1 | Set output bit 1 |
| WT 20 | Wait 20 ms |
| CB1 | Clear output bit 1 |
| WT 80 | Wait 80 ms |
| JP #A | Repeat the process |

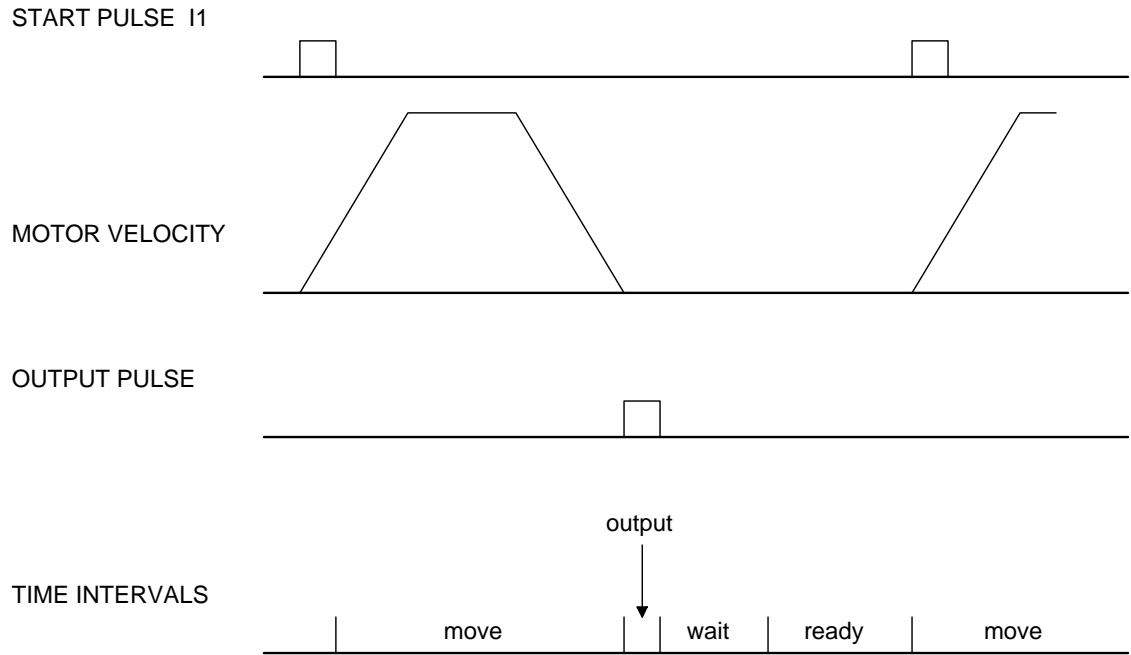


Figure 7.1 - Motor Velocity and the Associated input/output signals

X-Y Table Controller

An X-Y-Z system must cut the pattern shown in Fig. 7.2. The X-Y table moves the plate while the Z-axis raises and lowers the cutting tool.

The solid curves in Fig. 7.2 indicate sections where cutting takes place. Those must be performed at a feedrate of 1 inch per second. The dashed line corresponds to non-cutting moves and should be performed at 5 inch per second. The acceleration rate is 0.1 g.

The motion starts at point A, with the Z-axis raised. An X-Y motion to point B is followed by lowering the Z-axis and performing a cut along the circle. Once the circular motion is completed, the Z-axis is raised and the motion continues to point C, etc.

Assume that all of the 3 axes are driven by lead screws with 10 turns-per-inch pitch. Also assume encoder resolution of 1000 lines per revolution. This results in the relationship:

$$1 \text{ inch} = 40,000 \text{ counts}$$

and the speeds of

$$1 \text{ in/sec} = 40,000 \text{ count/sec}$$

$$5 \text{ in/sec} = 200,000 \text{ count/sec}$$

an acceleration rate of 0.1g equals

$$0.1g = 38.6 \text{ in/s}^2 = 1,544,000 \text{ count/s}^2$$

Note that the circular path has a radius of 2" or 80000 counts, and the motion starts at the angle of 270° and traverses 360° in the CW (negative direction). Such a path is specified with the instruction

```
CR 80000,270,-360
```

Further assume that the Z must move 2" at a linear speed of 2" per second. The required motion is performed by the following instructions:

| Instruction | Interpretation |
|-------------|----------------|
|-------------|----------------|

| #A | Label |
|-------------------|---------------------------------|
| VM XY | Circular interpolation for XY |
| VP 160000,160000 | Positions |
| VE | End Vector Motion |
| VS 200000 | Vector Speed |
| VA 1544000 | Vector Acceleration |
| BGS | Start Motion |
| AMS | When motion is complete |
| PR,,-80000 | Move Z down |
| SP,,80000 | Z speed |
| BGZ | Start Z motion |
| AMZ | Wait for completion of Z motion |
| CR 80000,270,-360 | Circle |
| VE | |
| VS 40000 | Feedrate |
| BGS | Start circular move |
| AMS | Wait for completion |
| PR,,80000 | Move Z up |
| BGZ | Start Z move |
| AMZ | Wait for Z completion |
| PR -21600 | Move X |
| SP 20000 | Speed X |
| BGX | Start X |
| AMX | Wait for X completion |
| PR,,-80000 | Lower Z |
| BGZ | |
| AMZ | |
| CR 80000,270,-360 | Z second circle move |
| VE | |
| VS 40000 | |
| BGS | |
| AMS | |
| PR,,80000 | Raise Z |
| BGZ | |
| AMZ | |
| VP -37600,-16000 | Return XY to start |
| VE | |
| VS 200000 | |
| BGS | |
| AMS | |
| EN | |

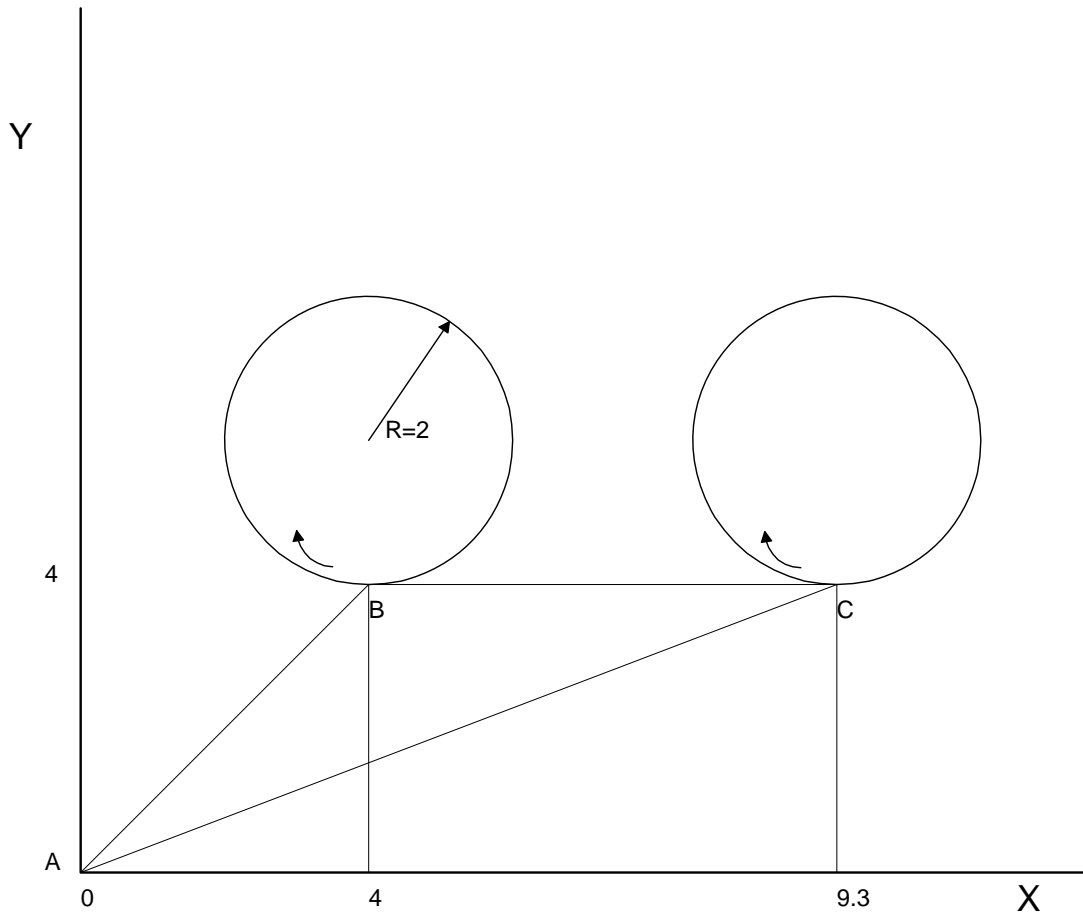


Figure 7.2 - Motor Velocity and the Associated input/output signals

Speed Control by Joystick

The speed of a motor is controlled by a joystick. The joystick produces a signal in the range between -10V and +10V. The objective is to drive the motor at a speed proportional to the input voltage.

Assume that a full voltage of 10 Volts must produce a motor speed of 3000 rpm with an encoder resolution of 1000 lines or 4000 count/rev. This speed equals:

$$3000 \text{ rpm} = 50 \text{ rev/sec} = 200000 \text{ count/sec}$$

The program reads the input voltage periodically and assigns its value to the variable VIN. To get a speed of 200,000 ct/sec for 10 volts, we select the speed as

$$\text{Speed} = 20000 \times \text{VIN}$$

The corresponding velocity for the motor is assigned to the VEL variable.

| Instruction | Interpretation |
|---------------|--|
| #A | Label |
| JG0 | Set jog speed of zero |
| BGX | Begin jogging (at speed zero) |
| #B | Label |
| VIN=@AN[1] | Set variable, VIN, to value of analog input 1 |
| VEL=VIN*20000 | Set variable, VEL to multiple of variable of VIN |

| | |
|--------|---|
| JG VEL | Update jog speed to value of variable VEL |
| JP #B | Loop back to label, #B |
| EN | End |

Position Control by Joystick

This system requires the position of the motor to be proportional to the joystick angle. Furthermore, the ratio between the two positions must be programmable. For example, if the control ratio is 5:1, it implies that when the joystick voltage is 5 Volts, corresponding to 1028 counts, the required motor position must be 5120 counts. The variable V3 changes the position ratio.

| Instruction | Interpretation |
|-----------------|-------------------------------|
| #A | Label |
| V3=5 | Initial position ratio |
| DP0 | Define the starting position |
| JG0 | Set motor in jog mode as zero |
| BGX | Start |
| #B | |
| V1=@AN[1] | Read analog input |
| V2=V1*V3 | Compute the desired position |
| V4=V2-_TPX-_TEX | Find the following error |
| V5=V4*20 | Compute a proportional speed |
| JG V5 | Change the speed |
| JP #B | Repeat the process |
| EN | End |

Backlash Compensation by Sampled Dual-Loop

The continuous dual loop, enabled by the DV1 function is an effective way to compensate for backlash. In some cases, however, when the backlash magnitude is large, it may be difficult to stabilize the system. In those cases, it may be easier to use the sampled dual loop method described below.

This design example addresses the basic problems of backlash in motion control systems. The objective is to control the position of a linear slide precisely. The slide is to be controlled by a rotary motor, which is coupled to the slide by a leadscrew. Such a leadscrew has a backlash of 4 micron, and the required position accuracy is for 0.5 micron.

The basic dilemma is where to mount the sensor. If you use a rotary sensor, you get a 4 micron backlash error. On the other hand, if you use a linear encoder, the backlash in the feedback loop will cause oscillations due to instability.

An alternative approach is the dual-loop, where we use two sensors, rotary and linear. The rotary sensor assures stability (because the position loop is closed before the backlash) whereas the linear sensor provides accurate load position information. The operation principle is to drive the motor to a given rotary position near the final point. Once there, the load position is read to find the position error and the controller commands the motor to move to a new rotary position which eliminates the position error.

Since the required accuracy is 0.5 micron, the resolution of the linear sensor should preferably be twice finer. A linear sensor with a resolution of 0.25 micron allows a position error of +/-2 counts.

The dual-loop approach requires the resolution of the rotary sensor to be equal or better than that of the linear system. Assuming that the pitch of the lead screw is 2.5mm (approximately 10 turns per inch), a rotary encoder of 2500 lines per turn or 10,000 count per revolution results in a rotary resolution of 0.25 micron. This results in equal resolution on both linear and rotary sensors.

To illustrate the control method, assume that the rotary encoder is used as a feedback for the X-axis, and that the linear sensor is read and stored in the variable LINPOS. Further assume that at the start, both the position of X and the value of LINPOS are equal to zero. Now assume that the objective is to move the linear load to the position of 1000.

The first step is to command the X motor to move to the rotary position of 1000. Once it arrives we check the position of the load. If, for example, the load position is 980 counts, it implies that a correction of 20 counts must be made. However, when the X-axis is commanded to be at the position of 1000, suppose that the actual position is only 995, implying that X has a position error of 5 counts, which will be eliminated once the motor settles. This implies that the correction needs to be only 15 counts, since 5 counts out of the 20 would be corrected by the X-axis. Accordingly, the motion correction should be:

$$\text{Correction} = \text{Load Position Error} - \text{Rotary Position Error}$$

The correction can be performed a few times until the error drops below +/-2 counts. Often, this is performed in one correction cycle.

Example - backlash compensation by sampled dual loop

| Instruction | Interpretation |
|---------------------|-----------------------------------|
| #A | Label |
| DP0 | Define starting positions as zero |
| LINPOS=0 | |
| PR 1000 | Required distance |
| BGX | Start motion |
| #B | |
| AMX | Wait for completion |
| WT 50 | Wait 50 msec |
| LIN POS = _DEX | Read linear position |
| ER=1000-LINPOS-_TEX | Find the correction |
| JP #C,@ABS[ER]<2 | Exit if error is small |
| PR ER | Command correction |
| BGX | Begin motion on X axis |
| JP #B | Repeat the process |
| #C | Label |
| EN | End program |

THIS PAGE LEFT BLANK INTENTIONALLY

Chapter 8 Hardware & Software Protection

Introduction

The DMC-1000 provides several hardware and software features to check for error conditions and to inhibit the motor on error. These features help protect the various system components from damage.

WARNING: Machinery in motion can be dangerous! It is the responsibility of the user to design effective error handling and safety protection as part of the machine. Since the DMC-1000 is an integral part of the machine, the engineer should design his overall system with protection against a possible component failure on the DMC-1000. Galil shall not be liable or responsible for any incidental or consequential damages.

Hardware Protection

The DMC-1000 includes hardware input and output protection lines for various error and mechanical limit conditions. These include:

Output Protection Lines

Amp Enable - This signal goes low when the motor off command is given, when the position error exceeds the value specified by the Error Limit (ER) command, or when off-on-error condition is enabled (OE1) and the abort command is given. Each axis amplifier has separate amplifier enable lines. This signal also goes low when the watch-dog timer is activated, or upon reset. *Note: The standard configuration of the AEN signal is TTL active low. Both the polarity and the amplitude can be changed if you are using the ICM-1100 interface board. To make these changes, see section entitled 'Amplifier Interface' pg. 3-25.*

Input Protection Lines

Abort - A low input stops commanded motion instantly without a controlled deceleration. For any axis in which the Off-On-Error function is enabled, the amplifiers will be disabled. This could cause the motor to 'coast' to a stop. If the Off-On-Error function is not enabled, the motor will instantaneously stop and servo at the current position. The Off-On-Error function is further discussed in this chapter.

Forward Limit Switch - Low input inhibits motion in forward direction. If the motor is moving in the forward direction when the limit switch is activated, the motion will decelerate and stop. In addition, if the motor is moving in the forward direction, the controller will automatically jump to the limit switch subroutine, #LIMSWI (if such a routine has been written by the user). The CN command can be used to change the polarity of the limit switches.

Reverse Limit Switch - Low input inhibits motion in reverse direction. If the motor is moving in the reverse direction when the limit switch is activated, the motion will decelerate and stop. In addition, if the motor is moving in the reverse direction, the controller will automatically jump to the limit switch subroutine, #LIMSWI (if such a routine has been written by the user). The CN command can be used to change the polarity of the limit switches.

Software Protection

The DMC-1000 provides a programmable error limit for servo operation. The error limit can be set for any number between 1 and 32767 using the ER n command. The default value for ER is 16384.

Example:

ER 200,300,400,500 Set X-axis error limit for 200, Y-axis error limit to 300, Z-axis error limit to 400 counts, W-axis error limit to 500 counts

ER,1,,10 Set Y-axis error limit to 1 count, set W-axis error limit to 10 counts.

The units of the error limit are quadrature counts. The error is the difference between the command position and actual encoder position. If the absolute value of the error exceeds the value specified by ER, the DMC-1000 will generate several signals to warn the host system of the error condition. These signals include:

| Signal or Function | Indication of Error |
|--------------------|--|
| # POSERR | Jumps to automatic excess position error subroutine |
| Error Light | Turns on when position error exceeds error limit |
| OE Function | Shuts motor off by setting AEN output line low if OE1. |

The position error of X,Y,Z and W can be monitored during execution using the TE command.

Programmable Position Limits

The DMC-1000 provides programmable forward and reverse position limits. These are set by the BL and FL software commands. Once a position limit is specified, the DMC-1000 will not accept position commands beyond the limit. Motion beyond the limit is also prevented.

Example - Using position limits

| Instruction | Interpretation |
|----------------------|----------------------------|
| DP0,0,0 | Define Position |
| BL -2000,-4000,-8000 | Set Reverse position limit |
| FL 2000,4000,8000 | Set Forward position limit |
| JG 2000,2000,2000 | Jog |
| BG XYZ | Begin |

(motion stops at forward limits)

Off-On-Error

The DMC-1000 controller has a built in function which can turn off the motors under certain error conditions. This function is known as 'Off-On-Error'. To activate the OE function for each axis, specify 1 for X,Y,Z and W axis. To disable this function, specify 0 for the axes. When this function is enabled, the specified motor will be disabled under the following 3 conditions:

The position error for the specified axis exceeds the limit set with the command, ER

The abort command is given

The abort input is activated with a low signal.

Note: If the motors are disabled while they are moving, they may 'coast' to a stop because they are no longer under servo control.

To re-enable the system, use the Reset (RS) or Servo Here (SH) command.

Examples - Using Off-On-Error

| | |
|------------|--|
| OE 1,1,1,1 | Enable off-on-error for X,Y,Z and W |
| OE 0,1,0,1 | Enable off-on-error for Y and W axes and disable off-on-error for W and Z axes |

Automatic Error Routine

The #POSERR label causes the statements following to be automatically executed if error on any axis exceeds the error limit specified by ER. The error routine must be closed with the RE command. The RE command returns from the error subroutine to the main program.

NOTE: The Error Subroutine will be entered again unless the error condition is gone.

Example - using automatic error subroutine

| Instruction | Interpretation |
|--------------------|---------------------------------|
| #A;JP #A;EN | "Dummy" program |
| #POSERR | Start error routine on error |
| MG "error" | Send message |
| SB 1 | Fire relay |
| STX | Stop motor |
| AMX | After motor stops |
| SHX | Servo motor here to clear error |
| RE | Return to main program |

NOTE: An applications program must be executing for the #POSERR routine to function.

Limit Switch Routine

The DMC-1000 provides forward and reverse limit switches which inhibit motion in the respective direction. There is also a special label for automatic execution of a limit switch subroutine. The #LIMSWI label specifies the start of the limit switch subroutine. This label causes the statements following to be automatically executed if any limit switch is activated and that axis motor is moving in that direction. The RE command ends the subroutine.

The state of the forward and reverse limit switches may also be tested during the jump-on-condition statement. The _LR condition specifies the reverse limit and _LF specifies the forward limit. X,Y,Z, or W following LR or LF specifies the axis. The CN command can be used to configure the polarity of the limit switches.

Example - using Limit Switch subroutine

| Instruction | Interpretation |
|--------------------|------------------------|
| #A;JP #A;EN | Dummy Program |
| #LIMSWI | Limit Switch Utility |
| V1=_LFX | Check if forward limit |

| | |
|--------------------|------------------------|
| V2=_LRX | Check if reverse limit |
| JP#LF,V1=0 | Jump to #LF if forward |
| JP#LR,V2=0 | Jump to #LR if reverse |
| JP#END | Jump to end |
| #LF | #LF |
| MG "FORWARD LIMIT" | Send message |
| STX;AMX | Stop motion |
| PR-1000;BGX;AMX | Move in reverse |
| JP#END | End |
| #LR | #LR |
| MG "REVERSE LIMIT" | Send message |
| STX;AMX | Stop motion |
| PR1000;BGX;AMX | Move forward |
| #END | End |
| RE | Return to main program |

NOTE: An applications program must be executing for #LIMSWI to function.

Chapter 9 Troubleshooting

Overview

The following discussion may help you get your system to work.

Potential problems have been divided into groups as follows:

1. Installation
2. Communication
3. Stability and Compensation
4. Operation

The various symptoms along with the cause and the remedy are described in the following tables.

Installation

| SYMPTOM | CAUSE | REMEDY |
|--|-----------------------------|--|
| Motor runs away when connected to amplifier with no additional inputs. | Amplifier offset too large. | Adjust amplifier offset |
| Same as above, but offset adjustment does not stop the motor. | Damaged amplifier. | Replace amplifier. |
| Controller does not read changes in encoder position. | Wrong encoder connections. | Check encoder wiring. |
| Same as above | Bad encoder | Check the encoder signals. Replace encoder if necessary. |
| Same as above | Bad controller | Connect the encoder to different axis input. If it works, controller failure. Repair or replace. |

Communication

| SYMPTOM | CAUSE | REMEDY |
|---|--|---|
| Using COMDISK and TALK2BUS, cannot communicate with controller. | Address selection in communication does not match jumpers. | Check address jumper positions, and change if necessary. The addresses 1000 or 816 are recommended. Note -- for address 1000, A2 and A4 jumpered. For address 816, jumper A7, A6, A3, A2. |

Stability

| SYMPTOM | CAUSE | REMEDY |
|--|--------------------------------------|---|
| Motor runs away when the loop is closed. | Wrong feedback polarity. | Invert the polarity of the loop by inverting the motor leads (brush type) or the encoder. |
| Motor oscillates. | Too high gain or too little damping. | Decrease KI and KP. Increase KD. |

Operation

| SYMPTOM | CAUSE | REMEDY |
|---|--|---|
| Controller rejects command. Responded with a ? | Invalid Command | Interrogate the cause with TC or TC1. |
| Motor does not complete move. | Noise on limit switches stops the motor. | To verify cause, check the stop code (SC). If caused by limit switch noise, reduce noise. |
| During a periodic operation, motor drifts slowly. | Encoder noise | Interrogate the position periodically. If controller states that the position is the same at different locations it implies encoder noise. Reduce noise. Use differential encoder inputs. |
| Same as above. | Programming error. | Avoid resetting position error at end of move with SH command. |

Chapter 10 Theory of Operation

Overview

The following discussion covers the operation of motion control systems. A typical servo control system consists of the elements shown in Fig 10.1.

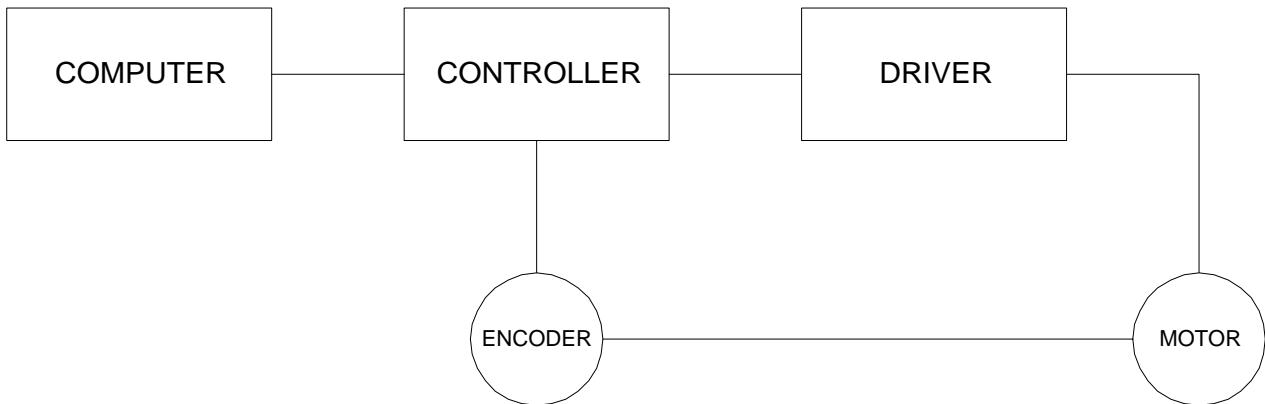


Figure 10.1 - Elements of Servo Systems

The operation of such a system can be divided into three levels, as illustrated in Fig. 10.2. The levels are:

1. Closing the Loop
2. Motion Profiling
3. Motion Programming

The first level, the closing of the loop, assures that the motor follows the commanded position. This is done by closing the position loop using a sensor. The operation at the basic level of closing the loop involves the subjects of modeling, analysis, and design. These subjects will be covered in the following discussions.

The motion profiling is the generation of the desired position function. This function, $R(t)$, describes where the motor should be at every sampling period. Note that the profiling and the closing of the loop are independent functions. The profiling function determines where the motor should be and the closing of the loop forces the motor to follow the commanded position

The highest level of control is the motion program. This can be stored in the host computer or in the controller. This program describes the tasks in terms of the motors that need to be controlled, the distances and the speed.

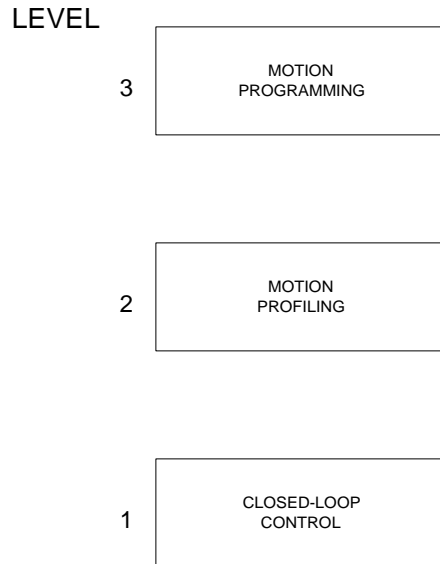


Figure 10.2 - Levels of Control Functions

The three levels of control may be viewed as different levels of management. The top manager, the motion program, may specify the following instruction, for example.

```
PR 6000,4000
SP 20000,20000
AC 200000,00000
BG X
AD 2000
BG Y
EN
```

This program corresponds to the velocity profiles shown in Fig. 10.3. Note that the profiled positions show where the motors must be at any instant of time.

Finally, it remains up to the servo system to verify that the motor follows the profiled position by closing the servo loop.

The following section explains the operation of the servo system. First, it is explained qualitatively, and then the explanation is repeated using analytical tools for those who are more theoretically inclined.

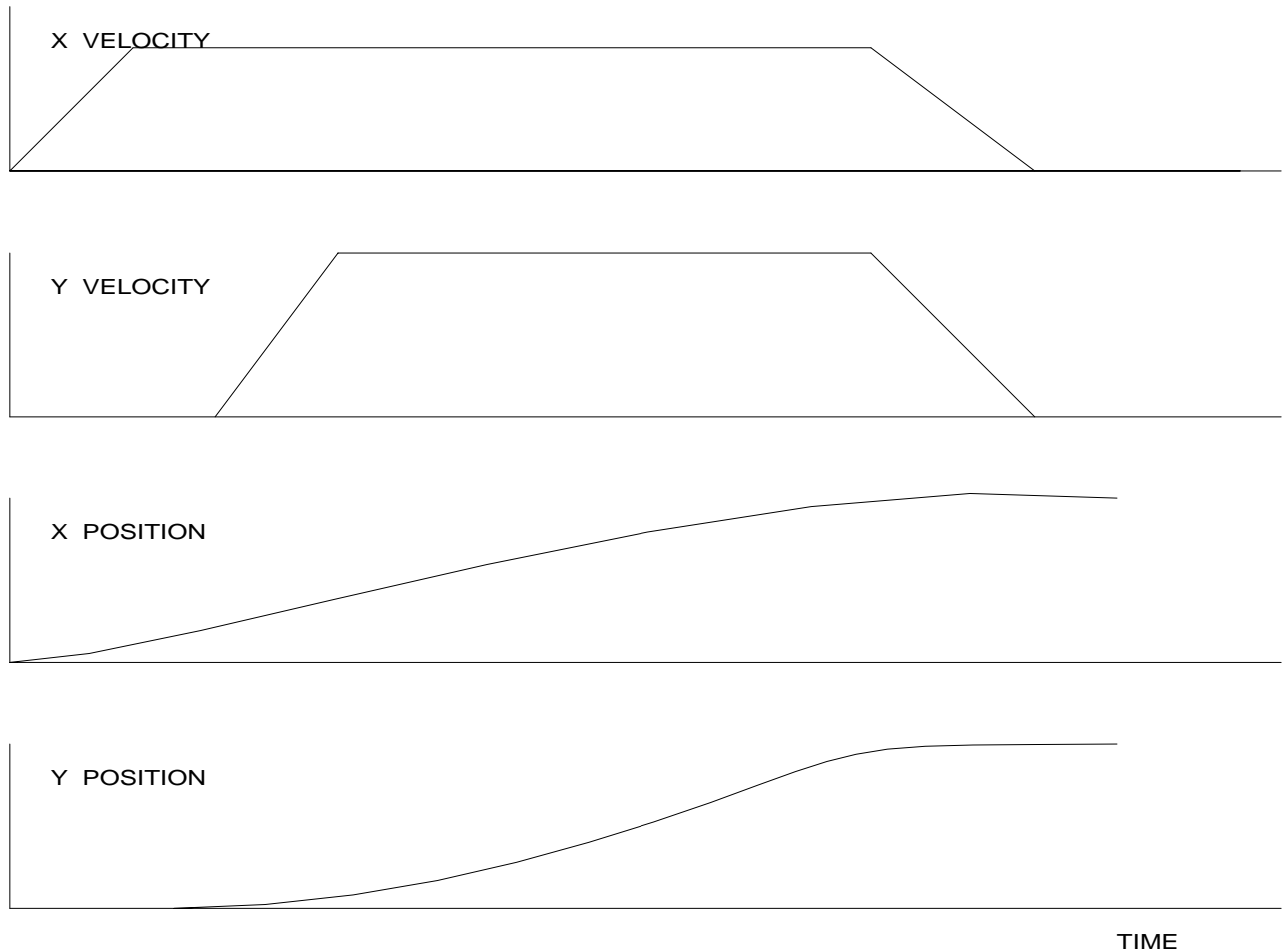


Figure 10.3 - Velocity and Position Profiles

Operation of Closed-Loop Systems

To understand the operation of a servo system, we may compare it to a familiar closed-loop operation, adjusting the water temperature in the shower. One control objective is to keep the temperature at a comfortable level, say 90 degrees F. To achieve that, our skin serves as a temperature sensor and reports to the brain (controller). The brain compares the actual temperature, which is called the feedback signal, with the desired level of 90 degrees F. The difference between the two levels is called the error signal. If the feedback temperature is too low, the error is positive, and it triggers an action which raises the water temperature until the temperature error is reduced sufficiently.

The closing of the servo loop is very similar. Suppose that we want the motor position to be at 90 degrees. The motor position is measured by a position sensor, often an encoder, and the position feedback is sent to the controller. Like the brain, the controller determines the position error, which is the difference between the commanded position of 90 degrees and the position feedback. The controller then outputs a signal that is proportional to the position error. This signal produces a proportional current in the motor, which causes a motion until the error is reduced. Once the error becomes small, the resulting current will be too small to overcome the friction, causing the motor to stop.

The analogy between adjusting the water temperature and closing the position loop carries further. We have all learned the hard way, that the hot water faucet should be turned at the "right" rate. If you turn it too slowly, the temperature response will be slow, causing discomfort. Such a slow reaction is called overdamped response.

The results may be worse if we turn the faucet too fast. The overreaction results in temperature oscillations. When the response of the system oscillates, we say that the system is unstable. Clearly, unstable responses are bad when we want a constant level.

What causes the oscillations? The basic cause for the instability is a combination of delayed reaction and high gain. In the case of the temperature control, the delay is due to the water flowing in the pipes. When the human reaction is too strong, the response becomes unstable.

Servo systems also become unstable if their gain is too high. The delay in servo systems is between the application of the current and its effect on the position. Note that the current must be applied long enough to cause a significant effect on the velocity, and the velocity change must last long enough to cause a position change. This delay, when coupled with high gain, causes instability.

This motion controller includes a special filter which is designed to help the stability and accuracy. Typically, such a filter produces, in addition to the proportional gain, damping and integrator. The combination of the three functions is referred to as a PID filter.

The filter parameters are represented by the three constants K_P , K_I and K_D , which correspond to the proportional, integral and derivative term respectively.

The damping element of the filter acts as a predictor, thereby reducing the delay associated with the motor response.

The integrator function, represented by the parameter K_I , improves the system accuracy. With the K_I parameter, the motor does not stop until it reaches the desired position exactly, regardless of the level of friction or opposing torque.

The integrator also reduces the system stability. Therefore, it can be used only when the loop is stable and has a high gain.

The output of the filter is applied to a digital-to-analog converter (DAC). The resulting output signal in the range between +10 and -10 Volts is then applied to the amplifier and the motor.

The motor position, whether rotary or linear is measured by a sensor. The resulting signal, called position feedback, is returned to the controller for closing the loop.

The following section describes the operation in a detailed mathematical form, including modeling, analysis and design.

System Modeling

The elements of a servo system include the motor, driver, encoder and the controller. These elements are shown in Fig. 10.4. The mathematical model of the various components is given below.

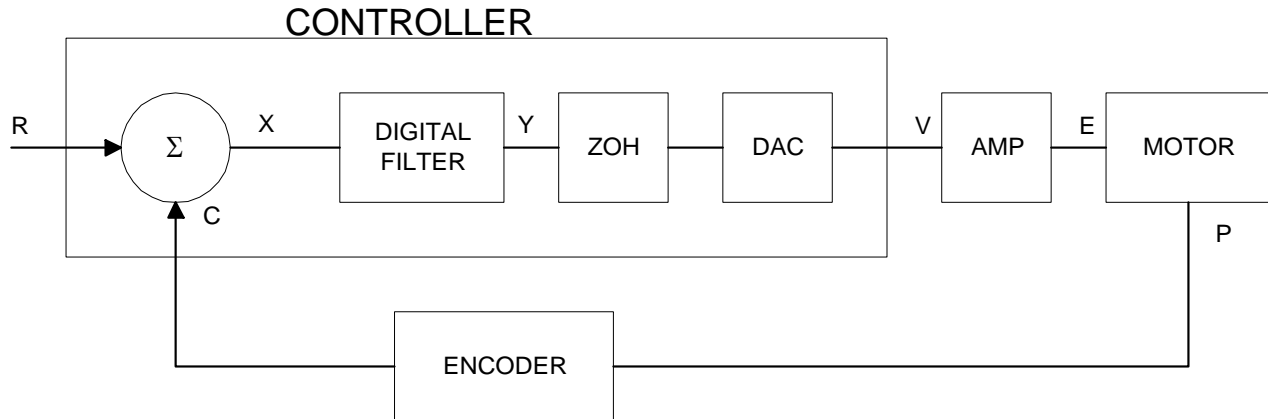


Figure 10.4 - Functional Elements of a Servo Control System

Motor-Amplifier

The motor amplifier may be configured in three modes:

1. Voltage Drive
2. Current Drive
3. Velocity Loop

The operation and modeling in the three modes is as follows:

Voltage Drive

The amplifier is a voltage source with a gain of K_v [V/V]. The transfer function relating the input voltage, V , to the motor position, P , is

$$P/V = K_v / [K_t S (ST_m + 1)(ST_e + 1)]$$

where

$$T_m = RJ / K_t^2 \quad [\text{s}]$$

and

$$T_e = L/R \quad [\text{s}]$$

and the motor parameters and units are

| | |
|-------|---|
| K_t | Torque constant [Nm/A] |
| R | Armature Resistance Ω |
| J | Combined inertia of motor and load [kg.m ²] |
| L | Armature Inductance [H] |

When the motor parameters are given in English units, it is necessary to convert the quantities to MKS units. For example, consider a motor with the parameters:

$$K_t = 14.16 \text{ oz-in/A} = 0.1 \text{ Nm/A}$$

$$R = 2 \Omega$$

$$J = 0.0283 \text{ oz-in-s}^2 = 2.10^{-4} \text{ kg} \cdot \text{m}^2$$

$$L = 0.004\text{H}$$

Then the corresponding time constants are

$$T_m = 0.04 \text{ sec}$$

and

$$T_e = 0.002 \text{ sec}$$

Assuming that the amplifier gain is $K_v = 4$, the resulting transfer function is

$$P/V = 40/[s(0.04s+1)(0.002s+1)]$$

Current Drive

The current drive generates a current I , which is proportional to the input voltage, V , with a gain of K_a . The resulting transfer function in this case is

$$P/V = K_a K_t / Js^2$$

where K_t and J are as defined previously. For example, a current amplifier with $K_a = 2 \text{ A/V}$ with the motor described by the previous example will have the transfer function:

$$P/V = 1000/s^2 \quad [\text{rad/V}]$$

If the motor is a DC brushless motor, it is driven by an amplifier that performs the commutation. The combined transfer function of motor amplifier combination is the same as that of a similar brush motor, as described by the previous equations.

Velocity Loop

The motor driver system may include a velocity loop where the motor velocity is sensed by a tachometer and is fed back to the amplifier. Such a system is illustrated in Fig. 10.5. Note that the transfer function between the input voltage V and the velocity ω is:

$$\omega / V = [K_a K_t / Js] / [1 + K_a K_t K_g / Js] = 1/[K_g (sT_1 + 1)]$$

where the velocity time constant, T_1 , equals

$$T_1 = J/K_a K_t K_g$$

This leads to the transfer function

$$P/V = 1/[K_g s(sT_1 + 1)]$$

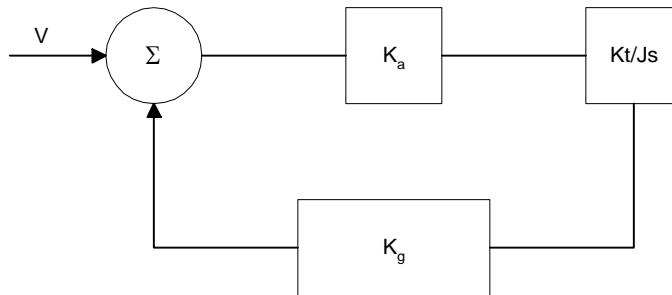
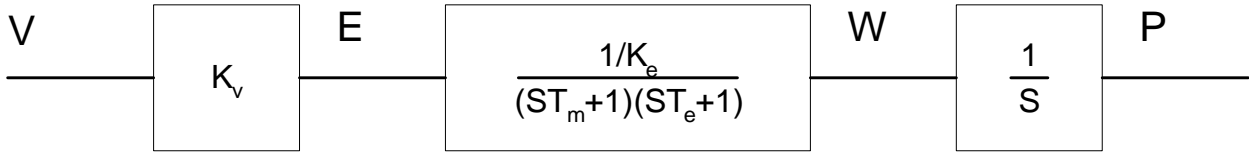


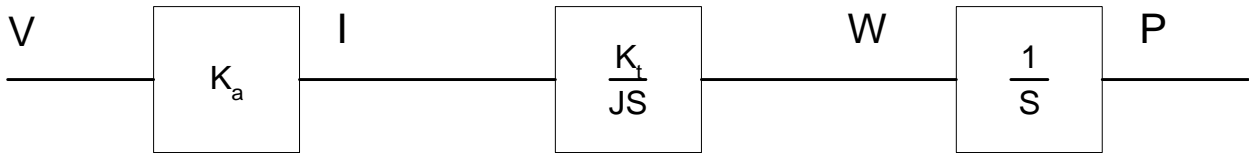
Figure 10.5 - Elements of velocity loops

The resulting functions derived above are illustrated by the block diagram of Fig. 10.6.

VOLTAGE SOURCE



CURRENT SOURCE



VELOCITY LOOP

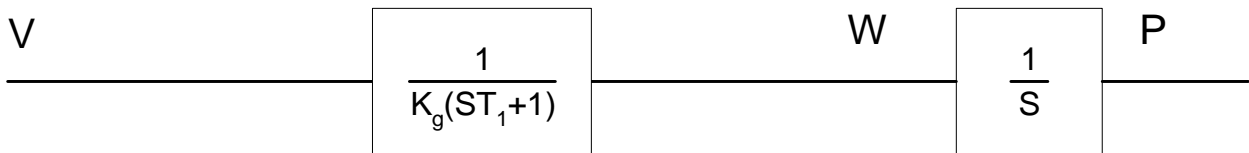


Figure 10.6 - Mathematical model of the motor and amplifier in three operational modes

Encoder

The encoder generates N pulses per revolution. It outputs two signals, Channel A and B, which are in quadrature. Due to the quadrature relationship between the encoder channels, the position resolution is increased to $4N$ quadrature counts/rev.

The model of the encoder can be represented by a gain of

$$K_f = 4N/2\pi \quad [\text{count/rad}]$$

For example, a 1000 lines/rev encoder is modeled as

$$K_f = 638$$

DAC

The DAC or D-to-A converter converts a 16-bit number to an analog voltage. The input range of the numbers is 65536 and the output voltage range is +/-10V or 20V. Therefore, the effective gain of the DAC is

$$K = 20/65536 = 0.0003 \quad [\text{V/count}]$$

Digital Filter

The digital filter has a transfer function of $D(z) = K(z-A)/z + Cz/z-1$ and a sampling time of T .

The filter parameters, K , A and C are selected by the instructions KP , KD , KI or by GN , ZR and KI , respectively. The relationship between the filter coefficients and the instructions are:

$$K = (KP + KD) \cdot 4 \quad \text{or } K = GN \cdot 4$$

$$A = KD/(KP + KD) \quad \text{or } A = ZR$$

$$C = KI/2$$

This filter includes a lead compensation and an integrator. It is equivalent to a continuous PID filter with a transfer function $G(s)$.

$$G(s) = P + sD + I/s$$

$$P = K(1-A) = 4 \cdot KP$$

$$D = T \cdot K \cdot A = 4 \cdot T \cdot KD$$

$$I = C/T = KI/2T$$

For example, if the filter parameters of the DMC-1000 are

$$KP = 4$$

$$KD = 36$$

$$KI = 2$$

$$T = 0.001 \text{ s}$$

the digital filter coefficients are

$$K = 160$$

$$A = 0.9$$

$$C = 1$$

and the equivalent continuous filter, $G(s)$, is

$$G(s) = 16 + 0.144s + 1000/s$$

ZOH

The ZOH, or zero-order-hold, represents the effect of the sampling process, where the motor command is updated once per sampling period. The effect of the ZOH can be modeled by the transfer function

$$H(s) = 1/(1+sT/2)$$

If the sampling period is $T = 0.001$, for example, $H(s)$ becomes:

$$H(s) = 2000/(s+2000)$$

However, in most applications, $H(s)$ may be approximated as one.

This completes the modeling of the system elements. Next, we discuss the system analysis.

System Analysis

To analyze the system, we start with a block diagram model of the system elements. The analysis procedure is illustrated in terms of the following example.

Consider a position control system with the DMC-1000 controller and the following parameters:

| | | |
|-----------------------|-------------------|--------------------------|
| $K_t = 0.1$ | Nm/A | Torque constant |
| $J = 2 \cdot 10^{-4}$ | kg.m ² | System moment of inertia |
| $R = 2$ | Ω | Motor resistance |
| $K_a = 4$ | Amp/Volt | Current amplifier gain |
| $K_P = 12.5$ | | Digital filter gain |
| $K_D = 245$ | | Digital filter zero |
| $K_I = 0$ | | No integrator |
| $N = 500$ | Counts/rev | Encoder line density |
| $T = 1$ | ms | Sample period |

The transfer function of the system elements are:

Motor

$$M(s) = P/I = K_t/Js^2 = 500/s^2 \text{ [rad/A]}$$

Amp

$$K_a = 4 \text{ [Amp/V]}$$

DAC

$$K_d = 0.0003 \text{ [V/count]}$$

Encoder

$$K_f = 4N/2\pi = 318 \text{ [count/rad]}$$

ZOH

$$2000/(s+2000)$$

Digital Filter

$$K_P = 12.5, K_D = 245, T = 0.001$$

Therefore,

$$D(z) = 50 + 980(1-z^{-1})$$

Accordingly, the coefficients of the continuous filter are:

$$P = 50$$

$$D = 0.98$$

The filter equation may be written in the continuous equivalent form:

$$G(s) = 50 + 0.98s$$

The system elements are shown in Fig. 10.7.

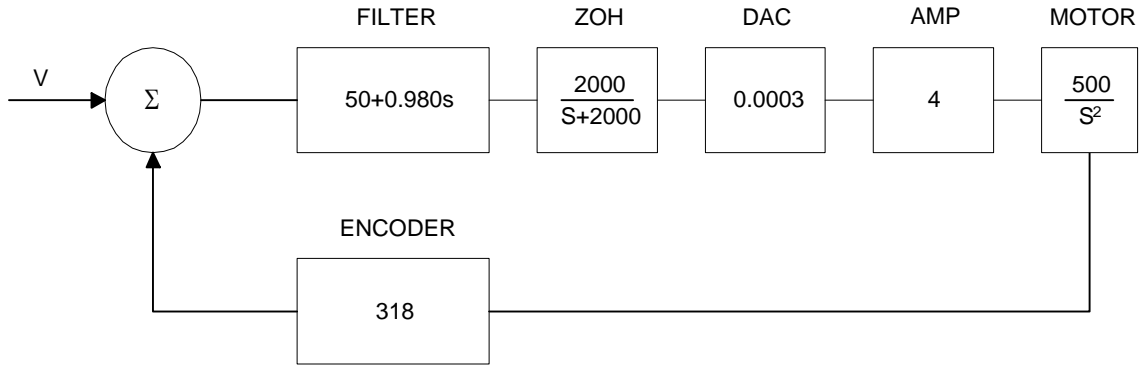


Figure 10.7 - Mathematical model of the control system

The open loop transfer function, $A(s)$, is the product of all the elements in the loop.

$$A = 390,000 (s+51)/[s^2(s+2000)]$$

To analyze the system stability, determine the crossover frequency, ω_c at which $A(j\omega_c)$ equals one. This can be done by the Bode plot of $A(j\omega_c)$, as shown in Fig. 10.8.

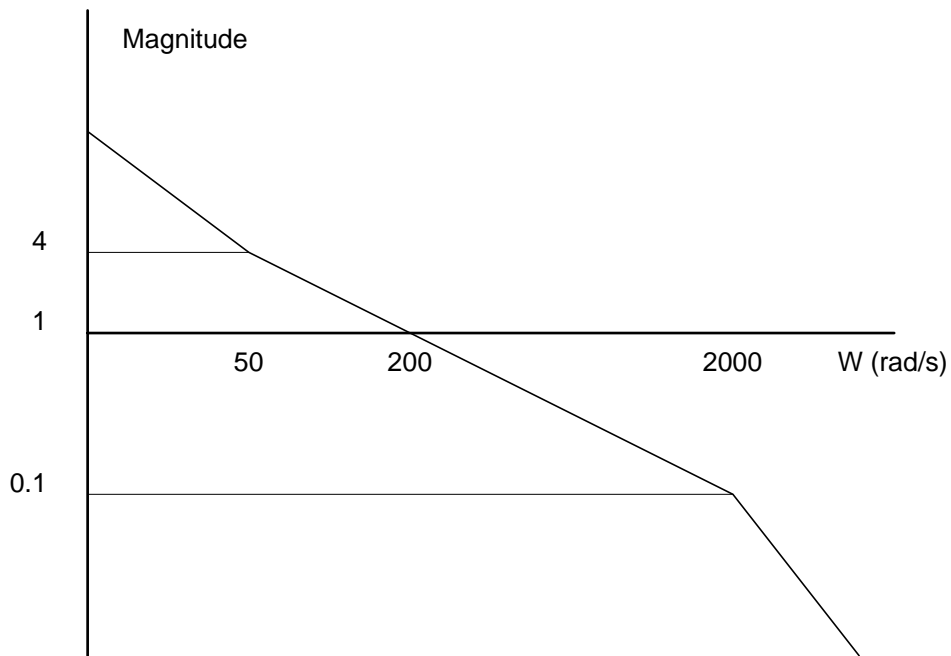


Figure 10.8 - Bode plot of the open loop transfer function

For the given example, the crossover frequency was computed numerically resulting in 200 rad/s.

Next, we determine the phase of $A(s)$ at the crossover frequency.

$$A(j200) = 390,000 (j200+51)/[(j200)^2 \cdot (j200 + 2000)]$$

$$\alpha = \text{Arg}[A(j200)] = \tan^{-1}(200/51) - 180^\circ - \tan^{-1}(200/2000)$$

$$\alpha = 76^\circ - 180^\circ - 6^\circ = -110^\circ$$

Finally, the phase margin, PM, equals

$$\text{PM} = 180^\circ + \alpha = 70^\circ$$

As long as PM is positive, the system is stable. However, for a well damped system, PM should be between 30 degrees and 45 degrees. The phase margin of 70 degrees given above indicated overdamped response.

Next, we discuss the design of control systems.

System Design and Compensation

The closed-loop control system can be stabilized by a digital filter, which is preprogrammed in the DMC-1000 controller. The filter parameters can be selected by the user for the best compensation. The following discussion presents an analytical design method.

The Analytical Method

The analytical design method is aimed at closing the loop at a crossover frequency, ω_c , with a phase margin PM. The system parameters are assumed known. The design procedure is best illustrated by a design example.

Consider a system with the following parameters:

| | | |
|-----------------------|-------------------|--------------------------|
| $K_t = 0.83$ | Nm/A | Torque constant |
| $J = 2 \cdot 10^{-4}$ | kg.m ² | System moment of inertia |
| $R = 2$ | Ω | Motor resistance |
| $K_a = 2$ | Amp/Volt | Current amplifier gain |
| $N = 1000$ | Counts/rev | Encoder line density |

The DAC of the DMC-1000 outputs +/-10V for a 16-bit command of +/-32,768 counts.

The design objective is to select the filter parameters in order to close a position loop with a crossover frequency of $\omega_c = 500$ rad/s and a phase margin of 45 degrees.

The first step is to develop a mathematical model of the system, as discussed in the previous system.

Motor

$$M(s) = P/I = K_t/Js^2 = 4150/s^2$$

Amp

$$K_a = 2 \quad [\text{Amp/V}]$$

DAC

$$K_d = 20/65536 = .0003$$

Encoder

$$K_f = 4N/2\pi = 636$$

ZOH

$$H(s) = 2000/(s+2000)$$

Compensation Filter

$$G(s) = P + sD$$

The next step is to combine all the system elements, with the exception of G(s), into one function, L(s).

$$L(s) = M(s) K_a K_d K_f H(s) = 0.3175 \cdot 10^7 / [s^2(s+2000)]$$

Then the open loop transfer function, A(s), is

$$A(s) = L(s) G(s)$$

Now, determine the magnitude and phase of $L(s)$ at the frequency $\omega_c = 500$.

$$L(j500) = 0.3175 \cdot 10^7 / [(j500)^2 (j500 + 2000)]$$

This function has a magnitude of

$$|L(j500)| = 0.00625$$

and a phase

$$\text{Arg}[L(j500)] = -180^\circ - \tan^{-1}(500/2000) = -194^\circ$$

$G(s)$ is selected so that $A(s)$ has a crossover frequency of 500 rad/s and a phase margin of 45 degrees. This requires that

$$|A(j500)| = 1$$

$$\text{Arg}[A(j500)] = -135^\circ$$

However, since

$$A(s) = L(s) G(s)$$

then it follows that $G(s)$ must have magnitude of

$$|G(j500)| = |A(j500)/L(j500)| = 160$$

and a phase

$$\text{arg}[G(j500)] = \text{arg}[A(j500)] - \text{arg}[L(j500)] = -135^\circ + 194^\circ = 59^\circ$$

In other words, we need to select a filter function $G(s)$ of the form

$$G(s) = P + sD$$

so that at the frequency $\omega_c = 500$, the function would have a magnitude of 160 and a phase lead of 59 degrees.

These requirements may be expressed as:

$$|G(j500)| = |P + (j500D)| = 160$$

and

$$\text{arg}[G(j500)] = \tan^{-1}[500D/P] = 59^\circ$$

The solution of these equations leads to:

$$P = 40 \cos 59^\circ = 82.4$$

$$500D = 40 \sin 59^\circ = 137.2$$

Therefore,

$$D = 0.2744$$

and

$$G = 82.4 + 0.2744s$$

The function G is equivalent to a digital filter of the form:

$$D(z) = 4 \bullet KP + 4 \bullet KD(1-z^{-1})$$

where

$$KP = P/4$$

and

$$KD = D / (4 \cdot T)$$

Assuming a sampling period of $T=1\text{ms}$, the parameters of the digital filter are:

$$KP = 20.6$$

$$KD = 68.6$$

The DMC-1000 can be programmed with the instruction:

$$KP \ 20.6$$

$$KD \ 68.6$$

In a similar manner, other filters can be programmed. The procedure is simplified by the following table, which summarizes the relationship between the various filters.

Equivalent Filter Form

DMC - 1000 -18

Digital $D(z) = K(z-A/z) + Cz/(z-1)$

Digital $D(z) = 4 KP + 4 KD(1-z^{-1}) + KI/2(1-z^{-1})$

KP, KD, KI $K = (KP + KD) \cdot 4$

$$A = KD/(KP+KD)$$

$$C = KI/2$$

Digital $D(z) = 4 GN(z-ZR)/z + KI z/2(z-1)$

GN, ZR, KI $K = 4 GN$

$$A = ZR$$

$$C = KI/2$$

Continuous $G(s) = P + Ds + I/s$

PID, T $P = 4 KP$

$$D = 4 T \cdot KD$$

$$I = KI/2T$$

THIS PAGE LEFT BLANK INTENTIONALLY

Appendices

Electrical Specifications

Servo Control

| | |
|---|---|
| ACMD Amplifier Command: | +/-10 Volts analog signal. Resolution 16-bit DAC or .0003 Volts. 3 mA maximum |
| A+,A-,B+,B-,IDX+,IDX- Encoder and Auxiliary | TTL compatible, but can accept up to +/-12 Volts. Quadrature phase on CHA,CHB. Can accept single-ended (A+,B+ only) or differential (A+,A-,B+,B-). Maximum A,B edge rate: 8 MHz. Minimum IDX pulse width: 120 nsec. |

Stepper Control

| | |
|-----------|---|
| Pulse | TTL (0-5 Volts) level at 50% duty cycle. 2,000,000 pulses/sec maximum frequency |
| Direction | TTL (0-5 Volts) |

Input/Output

| | |
|--|---|
| Uncommitted Inputs, Limits, Home Abort Inputs: | 2.2K ohm in series with optoisolator. Requires at least 1 mA for on. Can accept up to 28 Volts without additional series resistor. Above 28 Volts requires additional resistor. |
| AN[1] thru AN[7] Analog Inputs: | Standard configuration is +/-10 Volt. 12-Bit Analog-to-Digital converter. |
| OUT[1] thru OUT[8] Outputs: | TTL. |
| OUT[9] through OUT [16] Outputs | TTL (only available on controllers with 4 or more axes) |
| IN[17] through IN[24] Inputs | TTL (only available on controllers with 4 or more axes) |

Power

| | |
|------|--------|
| +5V | 750 mA |
| +12V | 40 mA |
| -12V | 40mA |

Performance Specifications

Minimum Servo Loop Update Time: DMC-1010 -- 250 μ sec

| | |
|---------------------------|--|
| | DMC-1020 -- 375 μ sec |
| | DMC-1030 -- 500 μ sec |
| | DMC-1040 -- 500 μ sec |
| Position Accuracy: | +/-1 quadrature count |
| Velocity Accuracy: | |
| Long Term | Phase-locked, better than .005% |
| Short Term | System dependent |
| Position Range: | +/-2147483647 counts per move |
| Velocity Range: | Up to 8,000,000 counts/sec |
| Velocity Resolution: | 2 counts/sec |
| Motor Command Resolution: | 14 Bits or .0012V for DMC-1000, 16 bit or 0.0003 for DMC-1000-18 |
| Variable Range: | +/-2 billion |
| Variable Resolution: | $1 \cdot 10^{-4}$ |
| Array Size: | 1600 elements 8000 elements - DMC-1040-MX and DMC-1080 |
| Program Size: | 500 lines x 40 characters 1000 lines x 80 characters: DMC-1080 2000 lines x 40 characters: DMC-1040-MX |

Connectors for DMC-1000 Main Board

J2 - Main (60 pin IDC)

| | |
|----------------------|----------------------|
| 1 Ground | 2 5 Volts |
| 3 Error | 4 Reset |
| 5 Limit Common | 6 Forward Limit - X |
| 7 Reverse Limit - X | 8 Home - X |
| 9 Forward Limit - Y | 10 Reverse Limit - Y |
| 11 Home - Y | 12 Forward Limit - Z |
| 13 Reverse Limit - Z | 14 Home - Z |
| 15 Forward Limit - W | 16 Reverse Limit - W |
| 17 Home - W | 18 Output 1 |
| 19 Input Common | 20 Latch X Input 1 |
| 21 Latch Y Input 2 | 22 Latch Z |
| 23 Latch W Input 4 | 24 Abort input |
| 25 Motor Command X | 26 Amp enable X |

| | |
|--------------------|-----------------|
| 27 Motor Command Y | 28 Amp enable Y |
| 29 Motor Command Z | 30 Amp enable Z |
| 31 Motor Command W | 32 Amp enable W |
| 33 A+X | 34 A-X |
| 35 B+X | 36 B-X |
| 37 I+X | 38 I-X |
| 39 A+Y | 40 A-Y |
| 41 B+Y | 42 B-Y |
| 43 I+Y | 44 I-Y |
| 45 A+Z | 46 A-Z |
| 47 B+Z | 48 B-Z |
| 49 I+Z | 50 I-Z |
| 51 A+W | 52 A-W |
| 53 B+W | 54 B-W |
| 55 I+W | 56 I-W |
| 57 +12V | 58 -12V |
| 59 5V | 60 Ground |

J5 - General I/O (26 pin IDC)

| | |
|----------------------|------------------------------------|
| 1 Analog 1 | 2 Analog 2 |
| 3 Analog 3 | 4 Analog 4 |
| 5 Analog 5 | 6 Analog 6 |
| 7 Analog 7 | 8 Ground |
| 9 5 Volts | 10 Output 1 |
| 11 Output 2 | 12 Output 3 |
| 13 Output 4 | 14 Output 5 |
| 15 Output 6 | 16 Output 7 |
| 17 Output 8 | 18 Input 8 |
| 19 Input 7 | 20 Input 6 |
| 21 Input 5 | 22 Input 4 (Latch W) |
| 23 Input 3 (latch Z) | 24 Input 2 (Latch Y) |
| 25 Input 1 (latch X) | 26 Input Common (Isolated 5 Volts) |

J3 - Aux Encoder (20 pin IDC)

| | |
|----------------|-----------|
| 1 Sample clock | 2 Synch |
| 3 B-Aux W | 4 B+Aux W |

| | |
|------------|------------|
| 5 A-Aux W | 6 A+Aux W |
| 7 B-Aux Z | 8 B+Aux Z |
| 9 A-Aux Z | 10 A+Aux Z |
| 11 B-Aux Y | 12 B+Aux Y |
| 13 A-Aux Y | 14 A+Aux Y |
| 15 B-Aux X | 16 B+Aux X |
| 17 A-Aux X | 18 A+Aux X |
| 19 5 Volt | 20 Ground |

J4 - Driver (20 pin IDC)

| | |
|--------------------|--------------------|
| 1 Motor Command X | 2 Amp enable X |
| 3 PWM X/STEP X | 4 Sign X/DIR X |
| 5 NC | 6 Motor Command Y |
| 7 Amp enable Y | 8 PWM Y/STEP Y |
| 9 Sign Y/DIR Y | 10 NC |
| 11 Motor command Z | 12 Amp enable Z |
| 13 PWM Z/STEP Z | 14 Sign Z/DIR Z |
| 15 5 Volt | 16 Motor command W |
| 17 Amp enable W | 18 PWM W/STEP W |
| 19 Sign W/DIR W | 20 Ground |

J6 - Daughter Board Connector (60 pin)

For use only with a Galil daughter board.

J7 - 10 pin

For test only.

Connectors for Auxiliary Board (Axes E,F,G,H)

JD2 - Main (60 pin IDC)

| | |
|---------------------|----------------------|
| 1 Ground | 2 5 Volts |
| 3 N.C. | 4 N.C. |
| 5 Limit Common | 6 Forward Limit - E |
| 7 Reverse Limit - E | 8 Home - E |
| 9 Forward Limit - F | 10 Reverse Limit - F |
| 11 Home F | 12 Forward Limit - G |

| | |
|----------------------|----------------------|
| 13 Reverse Limit - G | 14 Home - G |
| 15 Forward Limit - H | 16 Reverse Limit - H |
| 17 Home H | 18 Output 9 |
| 19 Input Common | 20 Latch E |
| 21 Latch F | 22 Latch G |
| 23 Latch H | 24 Input 24 |
| 25 Motor Command E | 26 Amp enable E |
| 27 Motor Command F | 28 Amp enable F |
| 29 Motor Command G | 30 Amp enable G |
| 31 Motor Command H | 32 Amp enable H |
| 33 Channel A+ E | 34 Channel A- E |
| 35 Channel B+ E | 36 Channel B- E |
| 37 Channel I+ E | 38 Channel I- E |
| 39 Channel A+ F | 40 Channel A- F |
| 41 Channel B+ F | 42 Channel B- F |
| 43 Channel I+ F | 44 Channel I- F |
| 45 Channel A+ G | 46 Channel A- G |
| 47 Channel B+ G | 48 Channel B- G |
| 49 Channel I+ G | 50 Channel I- G |
| 51 Channel A+ H | 52 Channel A- H |
| 53 Channel B+ H | 54 Channel B- H |
| 55 Channel I+ H | 56 Channel I- H |
| 57 +12V | 58 -12V |
| 59 5V | 60 Ground |

NOTE: The ABCD axes and other I/O are located on the main DMC-1000 card

JD5 - I/O (26 pin IDC)

| | |
|------------------|------------------|
| 1 Input 17 (TTL) | 2 Input 18 (TTL) |
| 3 Input 19 (TTL) | 4 Input 20 (TTL) |
| 5 Input 21 (TTL) | 6 Input 22 (TTL) |
| 7 Input 23 (TTL) | 8 Ground |
| 9 5 Volts | 10 Output 9 |
| 11 Output 10 | 12 Output 11 |
| 13 Output 12 | 14 Output 13 |
| 15 Output 14 | 16 Output 15 |
| 17 Output 16 | 18 Input 16 |

| | |
|-----------------------|------------------------------------|
| 19 Input 15 | 20 Input 14 |
| 21 Input 13 | 22 Input 12 (Latch H) |
| 23 Input 11 (Latch G) | 24 Input 10 (Latch F) |
| 25 Input 9 (Latch E) | 26 Input Common (Isolated 5 Volts) |

JD3 - 20 pin IDC - Auxiliary Encoders

| | |
|--------------|--------------|
| 1 N.C. | 2 N.C. |
| 3 Aux. B- H | 4 Aux. B+ H |
| 5 Aux. A- H | 6 Aux. A+ H |
| 7 Aux. B- G | 8 Aux. B+ G |
| 9 Aux. A- G | 10 Aux. A+ G |
| 11 Aux. B- F | 12 Aux. B+ F |
| 13 Aux. A- F | 14 Aux. A+ F |
| 15 Aux. B- E | 16 Aux. B+ E |
| 17 Aux. A- E | 18 Aux. A+ E |
| 19 5 Volt | 20 Ground |

JD4 - 20 pin IDC - Amplifiers

| | |
|--------------------|--------------------|
| 1 Motor Command E | 2 Amp enable E |
| 3 PWM E/Step E | 4 Sign E/Dir E |
| 5 NC | 6 Motor Command F |
| 7 Amp enable F | 8 PWM F/Step F |
| 9 Sign F/Dir F | 10 NC |
| 11 Motor Command G | 12 Amp enable G |
| 13 PWM G/Step G | 14 Sign G/Dir G |
| 15 5 Volt | 16 Motor Command H |
| 17 Amp enable H | 18 PWM H/Step H |
| 19 Sign H/Dir H | 20 Ground H |

JD6 - Daughterboard Connector (60 pin)

Connects to DMC-1000 Main Board, connector J6

Pin-Out Description for DMC-1000

Outputs

| | |
|--|--|
| Analog Motor Command | +/- 10 Volt range signal for driving amplifier. In servo mode, motor command output is updated at the controller sample rate. In the motor off mode, this output is held at the OF command level. |
| Amp Enable | Signal to disable and enable an amplifier. Amp Enable goes low on Abort and OE1. |
| PWM/STEP OUT | PWM/STEP OUT is used for directly driving power bridges for DC servo motors or for driving step motor amplifiers. For servo motors: If you are using a conventional amplifier that accepts a +/-10 Volt analog signal, this pin is not used and should be left open. The switching frequency is 33.4 Khz for DMC-1000 and 16.7 Khz for DMC-1000-18 . The PWM output is available in two formats: Inverter and Sign Magnitude. In the Inverter mode, the PWM signal is .2% duty cycle for full negative voltage, 50% for 0 Voltage and 99.8% for full positive voltage. In the Sign Magnitude Mode (Jumper SM), the PWM signal is 0% for 0 Voltage, 99.6% for full voltage and the sign of the Motor Command is available at the sign output. |
| PWM/STEP OUT | For steptomotors: The STEP OUT pin produces a series of pulses for input to a step motor driver. The pulses may either be low or high. The pulse width is 50%. Upon Reset, the output will be low if the SM jumper is on. If the SM jumper is not on, the output will be Tristate. |
| Sign/Direction | Used with PWM signal to give the sign of the motor command for servo amplifiers or direction for step motors. |
| Error | The signal goes low when the position error on any axis exceeds the value specified by the error limit command, ER. |
| Output 1-Output 8 Output 9-Output 16 (DMC-1080 only) | These 8 TTL outputs are uncommitted and may be designated by the user to toggle relays and trigger external events. The output lines are toggled by Set Bit, SB, and Clear Bit, CB, instructions. The OP instruction is used to define the state of all the bits of the Output port. |

Inputs

| | |
|---|---|
| Encoder, A+, B+ | Position feedback from incremental encoder with two channels in quadrature, CHA and CHB. The encoder may be analog or TTL. Any resolution encoder may be used as long as the maximum frequency does not exceed 8,000,000 quadrature states/sec. The controller performs quadrature decoding of the encoder signals resulting in a resolution of quadrature counts (4 x encoder cycles). Note: Encoders that produce outputs in the format of pulses and direction may also be used by inputting the pulses into CHA and direction into Channel B and using the CE command to configure this mode. |
| Encoder Index, I+ | Once-Per-Revolution encoder pulse. Used in Homing sequence or Find Index command to define home on an encoder index. |
| Encoder, A-, B-, I- | Differential inputs from encoder. May be input along with CHA, CHB for noise immunity of encoder signals. The CHA- and CHB- inputs are optional. |
| Auxiliary Encoder, Aux A+, Aux B+, Aux I+, Aux A-, Aux B-, Aux I- | Inputs for additional encoder. Used when an encoder on both the motor and the load is required. |
| Abort | A low input stops commanded motion instantly without a controlled deceleration. Also aborts motion program. |
| Reset | A low input resets the state of the processor to its power-on condition. The previously saved state of the controller, along with parameter values, and saved sequences are restored. |
| Forward Limit Switch | When active, inhibits motion in forward direction. Also causes execution of limit switch subroutine, #LIMSWI. The polarity of the limit switch may be set with the CN command. |
| Reverse Limit Switch | When active, inhibits motion in reverse direction. Also causes execution of limit switch subroutine, #LIMSWI. The polarity of the limit switch may be set with the CN command. |
| Home Switch | Input for Homing (HM) and Find Edge (FE) instructions. Upon BG following HM or FE, the motor accelerates to slew speed. A transition on this input will cause the motor to decelerate to a stop. The polarity of the Home Switch may be set with the CN command. |
| Input 1 - Input 8 <i>Input 9 - Input 16 isolated</i> <i>Input 17 - Input 23 - TTL</i> | Uncommitted inputs. May be defined by the user to trigger events. Inputs are checked with the Conditional Jump instruction and After Input instruction or Input Interrupt. Input 1 is latch X, Input 2 is latch Y, Input 3 is latch Z and Input 4 is latch W if the high speed position latch function is enabled. |
| Latch | High speed position latch to capture axis position within 20 nano seconds on occurrence of latch signal. AL command arms latch. Input 1 is latch X, Input 2 is latch Y, Input 3 is latch Z and Input 4 is latch W. <i>Input 9 is latch E, Input 10 is latch F, Input 11 is latch G, Input 12 is latch H.</i> |

Jumper Description for DMC-1000

| JUMPER | LABEL | FUNCTION (IF JUMPERED) |
|--------|---------|---|
| JP9 | LSCOM | Connect LSCOM to 5V |
| | INCOM | Connect INCOM to 5V |
| JP10 | IRQ 2/9 | Interrupt Request line (Jumper one only) |
| | IRQ 3 | |
| | IRQ 4 | |
| | IRQ 5 | |
| | IRQ 7 | |
| JP11 | IRQ 10 | |
| | IRQ 11 | |
| | IRQ 12 | |
| | IRQ 15 | |
| | IRQ 14 | |
| JP20 | SMX | For each axis, the SM jumper selects the SM magnitude mode for servo motors or selects stepper motors. If you are using stepper motors, SM must always be jumpered. The Analog command is not valid with SM jumpered. |
| | SMY | |
| | SMZ | |
| | SMW | |
| | OPT | Reserved |
| JP21 | MRST | Master Reset enable. Returns controller to factory default settings and erases EEPROM. Requires power-on or RESET to be activated. |

Dip Switch Settings

| | |
|-------|--|
| A2-A8 | Seven Dip Switches for Address Selection. (Please follow silkscreen; not switch labels) |
|-------|--|

Offset Adjustments for DMC-1000

| | |
|----------|-------------------------------------|
| X offset | Used to null ACMD offset for X axis |
| Y offset | Used to null ACMD offset for Y axis |
| Z offset | Used to null ACMD offset for Z axis |

W offset Used to null ACMD offset for W axis

Note: These adjustments are made at the Galil factory and should need adjustment under most applications.

Accessories and Options

| | |
|--------------|---|
| DMC-1010 | Single Axis Controller |
| DMC-1020 | Two-Axis Controller |
| DMC-1030 | Three-Axis Controller |
| DMC-1040 | Four-Axis Controller |
| DMC-1050 | Five-Axis Controller |
| DMC-1060 | Six-Axis Controller |
| DMC-1070 | Seven-Axis Controller |
| DMC-1080 | Eight-Axis Controller |
| ICM-1100* | Interface board |
| AMP-1110 | Single axis amplifier |
| AMP-1120 | Two-axis amplifier |
| AMP-1130 | Three-axis amplifier |
| AMP-1140 | Four-axis amplifier |
| -MX option | Memory expansion option to 2000 lines, 8000 array elements, 254 labels and 254 variables |
| -AF option | Analog feedback option. Uses analog feedback for servo loop. |
| DB-10096 | Auxiliary board for additional 64 inputs, 32 output I/O. Can be configured for other sensors. |
| N23-54-1000 | Servo motor; NEMA 23; 54 oz-in continuous |
| N34-150-1000 | Servo motor; NEMA 34; 150 oz-in, continuous |
| COM-Disk | MS-DOS Terminal Emulator and Software Sources |
| SDK-1000 | Servo Design Software |
| OPINT | Operator Interface Software for PC |
| CAD-to-DMC | Autocad to DMC Translator |
| VBX Toolkit | Visual Basic VBX Extensions |

Dip Switch Address Settings

Use this table to find the dip switch settings for any of the available addresses of the DMC-1000. Note: 'x' denotes that the dip switch is 'ON'.

| Address | Dip A8 | Dip A7 | Dip A6 | Dip A5 | Dip A4 | Dip A3 | Dip A2 |
|---------|--------|--------|--------|--------|--------|--------|--------|
| 512 | x | x | x | x | x | x | x |
| 516 | x | x | x | x | x | x | |
| 520 | x | x | x | x | x | | x |
| 524 | x | x | x | x | x | | |
| 528 | x | x | x | x | | x | x |
| 532 | x | x | x | x | | x | |
| 536 | x | x | x | x | | | x |
| 540 | x | x | x | x | | | |
| 544 | x | x | x | | x | x | x |
| 548 | x | x | x | | x | x | |
| 552 | x | x | x | | x | | x |
| 556 | x | x | x | | x | | |
| 560 | x | x | x | | | x | x |
| 564 | x | x | x | | | x | |
| 568 | x | x | x | | | | x |
| 572 | x | x | x | | | | |
| 576 | x | x | | x | x | x | x |
| 580 | x | x | | x | x | x | |
| 584 | x | x | | x | x | | x |
| 588 | x | x | | x | x | | |
| 592 | x | x | | x | | x | x |
| 596 | x | x | | x | | x | |
| 600 | x | x | | x | | | x |
| 604 | x | x | | x | | | |
| 608 | x | x | | | x | x | x |
| 612 | x | x | | | x | x | |
| 616 | x | x | | | x | | x |
| 620 | x | x | | | x | | |
| 624 | x | x | | | | x | x |
| 628 | x | x | | | | x | |
| 632 | x | x | | | | | x |
| 636 | x | x | | | | | |
| 640 | x | | x | x | x | x | x |
| 644 | x | | x | x | x | x | |
| 648 | x | | x | x | x | | x |
| 652 | x | | x | x | x | | |
| 656 | x | | x | x | | x | x |
| 660 | x | | x | x | | x | |
| 664 | x | | x | x | | | x |

| Address | Dip A8 | Dip A7 | Dip A6 | Dip A5 | Dip A4 | Dip A3 | Dip A2 |
|---------|--------|--------|--------|--------|--------|--------|--------|
| 668 | x | | x | x | | | |
| 672 | x | | x | | x | x | x |
| 676 | x | | x | | x | x | |
| 680 | x | | x | | x | | x |
| 684 | x | | x | | x | | |
| 688 | x | | x | | | x | x |
| 692 | x | | x | | | x | |
| 696 | x | | x | | | | x |
| 700 | x | | x | | | | |
| 704 | x | | | x | x | x | x |
| 708 | x | | | x | x | x | |
| 712 | x | | | x | x | | x |
| 716 | x | | | x | x | | |
| 720 | x | | | x | | x | x |
| 724 | x | | | x | | x | |
| 728 | x | | | x | | | x |
| 732 | x | | | x | | | |
| 736 | x | | | | x | x | x |
| 740 | x | | | | x | x | |
| 744 | x | | | | x | | x |
| 748 | x | | | | x | | |
| 752 | x | | | | | x | x |
| 756 | x | | | | | x | |
| 760 | x | | | | | | x |
| 764 | x | | | | | | |
| 768 | | x | x | x | x | x | x |
| 772 | | x | x | x | x | x | |
| 776 | | x | x | x | x | | x |
| 780 | | x | x | x | x | | |
| 784 | | x | x | x | | x | x |
| 788 | | x | x | x | | x | |
| 792 | | x | x | x | | | x |
| 796 | | x | x | x | | | |
| 800 | | x | x | | x | x | x |
| 804 | | x | x | | x | x | |
| 808 | | x | x | | x | | x |
| 812 | | x | x | | x | | |
| 816 | | x | x | | | x | x |
| 820 | | x | x | | | x | |
| 824 | | x | x | | | | x |
| 828 | | x | x | | | | |
| 832 | | x | | x | x | x | x |
| 836 | | x | | x | x | x | |
| 840 | | x | | x | x | | x |
| 844 | | x | | x | x | | |
| 848 | | x | | x | | x | x |
| 852 | | x | | x | | x | |

| Address | Dip A8 | Dip A7 | Dip A6 | Dip A5 | Dip A4 | Dip A3 | Dip A2 |
|---------|--------|--------|--------|--------|--------|--------|--------|
| 856 | | x | | x | | | x |
| 860 | | x | | x | | | |
| 864 | | x | | | x | x | x |
| 868 | | x | | | x | x | |
| 872 | | x | | | x | | x |
| 876 | | x | | | x | | |
| 880 | | x | | | | x | x |
| 884 | | x | | | | x | |
| 888 | | x | | | | | x |
| 892 | | x | | | | | |
| 896 | | | x | x | x | x | x |
| 900 | | | x | x | x | x | |
| 904 | | | x | x | x | | x |
| 908 | | | x | x | x | | |
| 912 | | | x | x | | x | x |
| 916 | | | x | x | | x | |
| 920 | | | x | x | | | x |
| 924 | | | x | x | | | |
| 928 | | | x | | x | x | x |
| 932 | | | x | | x | x | |
| 936 | | | x | | x | | x |
| 940 | | | x | | x | | |
| 944 | | | x | | | x | x |
| 948 | | | x | | | x | |
| 952 | | | x | | | | x |
| 956 | | | x | | | | |
| 960 | | | | x | x | x | x |
| 964 | | | | x | x | x | |
| 968 | | | | x | x | | x |
| 972 | | | | x | x | | |
| 976 | | | | x | | x | x |
| 980 | | | | x | | x | |
| 984 | | | | x | | | x |
| 988 | | | | x | | | |
| 992 | | | | | x | x | x |
| 996 | | | | | x | x | |
| 1000 | | | | | x | | x |
| 1004 | | | | | x | | |
| 1008 | | | | | | x | x |
| 1012 | | | | | | x | |
| 1016 | | | | | | | x |
| 1020 | | | | | | | |

PC/AT Interrupts and Their Vectors

(These occur on the first 8259)

| IRQ | VECTOR | USAGE |
|-----|-----------|--|
| 0 | 8 or 08h | Timer chip (DON'T USE THIS!) |
| 1 | 9 or 09h | Keyboard (DON'T USE THIS!) |
| 2 | 10 or 0ah | Cascade from second 8259 (DON'T USE THIS!) |
| 3 | 11 or 0bh | COM2: |
| 4 | 12 or 0ch | COM1: |
| 5 | 13 or 0dh | LPT2: |
| 6 | 14 or 0eh | Floppy (DON'T USE THIS!) |
| 7 | 15 or 0fh | LPT1: |

(These occur on the second 8259)

| IRQ | VECTOR | USAGE |
|-----|------------|------------------------------------|
| 8 | 104 or 70h | Real-time clock (DON'T USE THIS!) |
| 9 | 105 or 71h | Redirect-cascade (DON'T USE THIS!) |
| 10 | 106 or 72h | |
| 11 | 107 or 73h | |
| 12 | 108 or 74h | Mouse DSR |
| 13 | 109 or 75h | Math Co-processor exception |
| 14 | 110 or 76h | Fixed Disk (DON'T USE THIS!) |
| 15 | 111 or 77h | |

ICM-1100 Interconnect Module

The ICM-1100 Interconnect Module provides easy connections between the DMC-1000 series controllers and other system elements, such as amplifiers, encoders, and external switches. The ICM-1100 accepts each DMC-1000 ribbon cable (for J2, J3, J4 and J5) and breaks them into screw-type terminals. Each screw terminal is labeled for quick connection of system elements.

The ICM-1100 is packaged as a circuit board mounted to a metal enclosure. A version of the ICM-1100 is also available with servo amplifiers (see AMP-11X0).

Features

- Breaks out all DMC-1000 ribbon cables into individual screw-type terminals.
- Clearly identifies all terminals
- Provides jumper for connecting limit and input supplies to 5 volt supply from PC.
- Available with on-board servo drives (see AMP-1100).
- 10-pin IDC connectors for encoders.

Specifications

| | |
|------------|---------------------|
| Dimensions | 5.7" x 13.4" x 2.4" |
| Weight | 2.2 pounds |

AMP/ICM-1100 CONNECTIONS

Rev A+B boards (orange) and Rev C boards (black) have the pinouts listed below:

| <u>Rev A + B</u> <u>Terminal #</u> | <u>Rev C</u> <u>Terminal #</u> | <u>Label</u> | <u>Description</u> |
|---------------------------------------|-----------------------------------|--------------|-------------------------------|
| | 2 | GND | Ground |
| 1 | 1 | GND | Ground |
| 2 | 4 | ACMDX | X input to servo amp |
| 3 | 3 | AENX | X amp enable |
| 4 | 6 | PULSX | X pulse input for stepper |
| 5 | 5 | DIRX | X direction input for stepper |
| 6 | 8 | ACMDY | Y amp input |
| 7 | 7 | AENY | Y amp enable |
| 8 | 10 | PULSY | Y pulse for stepper |
| 9 | 9 | DIRY | Y direction for stepper |
| 10 | 12 | ACMDZ | Z amp input |
| 11 | 11 | AENZ | Z amp enable |
| 12 | 14 | PULSZ | Z pulse for stepper |
| 13 | 13 | DIRZ | Z direction for stepper |
| 14 | 16 | ACMDW | W amp input |
| 15 | 15 | AENW | W amp enable |
| 16 | 18 | PULSW | W pulse for stepper |
| 17 | 17 | DIRW | W direction for stepper |
| 18 | 20 | AN1 | Analog Input 1 |
| 19 | 19 | AN2 | Analog Input 2 |
| 20 | 22 | AN3 | Analog Input 3 |
| 21 | 21 | AN4 | Analog Input 4 |
| 22 | 24 | AN5 | Analog Input 5 |
| 23 | 23 | AN6 | Analog Input 6 |
| 24 | 26 | AN7 | Analog Input 7 |

| | | | |
|----|----|---------|------------------------|
| 25 | 25 | GND | Ground |
| 26 | 28 | OUT1 | Digital Output 1 |
| 27 | 27 | OUT2 | Digital Output 2 |
| 28 | 30 | OUT3 | Digital Output 3 |
| 29 | 29 | OUT4 | Digital Output 4 |
| 30 | 32 | OUT5 | Digital Output 5 |
| 31 | 31 | OUT6 | Digital Output 6 |
| 32 | 34 | OUT7 | Digital Output 7 |
| 33 | 33 | OUT8 | Digital Output 8 |
| 34 | 36 | INP8 | Uncommitted Input 8 |
| 35 | 35 | INP7 | Uncommitted Input 7 |
| 36 | 38 | INP6 | Uncommitted Input 6 |
| 37 | 37 | INP5 | Uncommitted Input 5 |
| 38 | 40 | INP4/LW | Uncommitted Input 4 |
| 39 | 39 | INP3/LZ | Uncommitted Input 3 |
| 40 | 42 | INP2/LY | Uncommitted Input 2 |
| 41 | 41 | INP1/LX | Uncommitted Input 1 |
| 42 | 44 | INCOM | Input common |
| 43 | 43 | GND | Ground |
| 44 | 46 | WAB- | W Auxiliary encoder B- |
| 45 | 45 | WAB+ | W Auxiliary encoder B+ |
| 46 | 48 | WAA- | W Auxiliary encoder A- |
| 47 | 47 | WAA+ | W Auxiliary encoder A+ |
| 48 | 50 | ZAB- | Z Auxiliary encoder B- |
| 49 | 49 | ZAB+ | Z Auxiliary encoder B+ |
| 50 | 52 | ZAA- | Z Auxiliary encoder A- |
| 51 | 51 | ZAA+ | Z Auxiliary encoder A+ |
| 52 | 54 | YAB- | Y Auxiliary encoder B- |
| 53 | 53 | YAB+ | Y Auxiliary encoder B+ |
| 54 | 56 | YAA- | Y Auxiliary encoder A- |
| 55 | 55 | YAA+ | Y Auxiliary encoder A+ |
| 56 | 58 | XAB- | X Auxiliary encoder B- |
| 57 | 57 | XAB+ | X Auxiliary encoder B+ |
| 58 | 60 | XAA- | X Auxiliary encoder A- |
| 59 | 59 | XAA+ | X Auxiliary encoder A+ |
| 60 | 62 | GND | Ground |
| 61 | 61 | 5V | 5 Volts |
| 62 | 64 | LSCOM | Limit common |
| 63 | 63 | FLSX | X Forward limit |
| 64 | 66 | RLSX | X Reverse limit |
| 65 | 65 | HOMEX | X Home Input |
| 66 | 68 | FLSY | Y Forward limit |
| 67 | 67 | RLSY | Y Reverse limit |
| 68 | 70 | HOMEY | Y Home |
| 69 | 69 | FLSZ | Z Forward limit |
| 70 | 72 | RLSZ | Z Reverse limit |
| 71 | 71 | HOMEZ | Z Home |

| | | | |
|-----|-----|-------|-------------------|
| 72 | 74 | FLSW | W Forward limit |
| 73 | 73 | RLSW | W Reverse limit |
| 74 | 76 | HOMEW | W Home |
| 75 | 75 | GND | Ground |
| 76 | 78 | ABORT | Abort input |
| 77 | 77 | XA+ | X Main encoder A+ |
| 78 | 80 | XA- | X Main encoder A- |
| 79 | 79 | XB+ | X Main encoder B+ |
| 80 | 82 | XB- | X Main encoder B- |
| 81 | 81 | XI+ | X Main encoder I+ |
| 82 | 84 | XI- | X Main encoder I- |
| 83 | 83 | YA+ | Y Main encoder A+ |
| 84 | 86 | YA- | Y Main encoder A- |
| 85 | 85 | YB+ | Y Main encoder B+ |
| 86 | 88 | YB- | Y Main encoder B- |
| 87 | 87 | YI+ | Y Main encoder I+ |
| 88 | 90 | YI- | Y Main encoder I- |
| 89 | 89 | ZA+ | Z Main encoder A+ |
| 90 | 92 | ZA- | Z Main encoder A- |
| 91 | 91 | ZB+ | Z Main encoder B+ |
| 92 | 94 | ZB- | Z Main encoder B- |
| 93 | 93 | ZI+ | Z Main encoder I+ |
| 94 | 96 | ZI- | Z Main encoder I- |
| 95 | 95 | WA+ | W Main encoder A+ |
| 96 | 98 | WA- | W Main encoder A- |
| 97 | 97 | WB+ | W Main encoder B+ |
| 98 | 100 | WB- | W Main encoder B- |
| 99 | 99 | WI+ | W Main encoder I+ |
| 100 | 102 | WI- | W Main encoder I- |
| 101 | 101 | +12V | 12V supply |
| 102 | 104 | -12V | -12V supply |
| 103 | 103 | 5V | 5V supply |
| 104 | | GND | Ground |

J2 - Main (60 pin IDC)

J3 - Aux Encoder (20 pin IDC)

J4 - Driver (20 pin IDC)

J5 - General I/O (26 pin IDC)

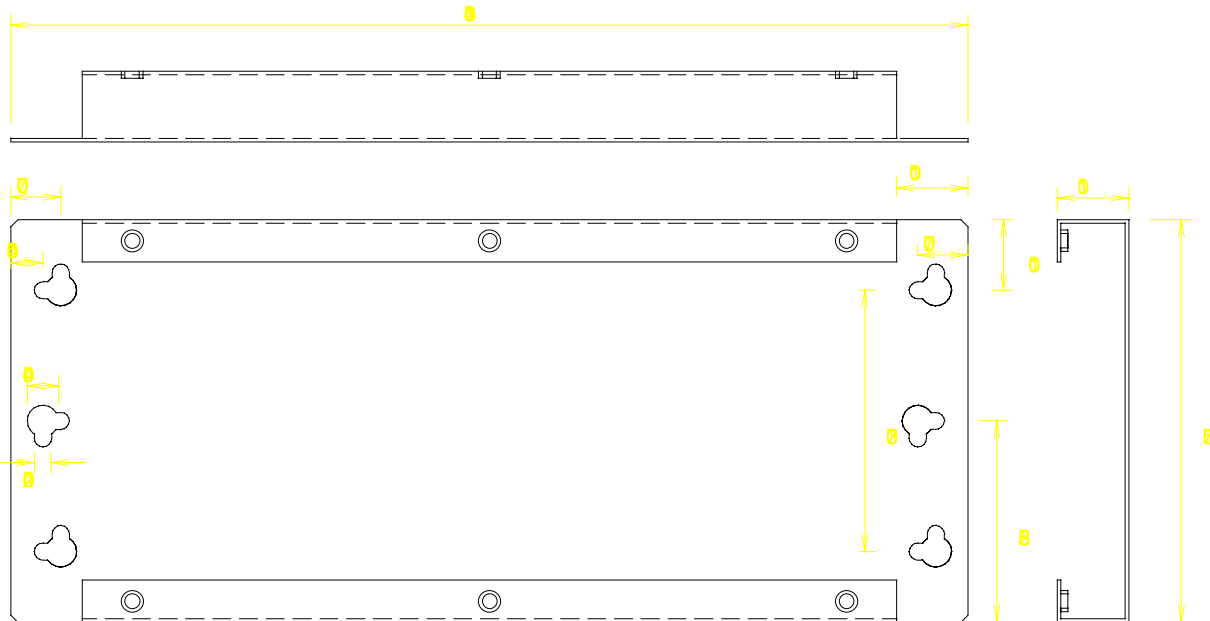
Connectors are the same as described in section entitled “Connectors for DMC-1000 Main Board”. see pg. 146

JX6, JY6, JZ6, JW6 - Encoder Input (10 pin IDC)

| | |
|-----------|-----------------|
| 1 CHA | 2 +VCC |
| 3 GND | 4 No Connection |
| 5 CHA - | 6 CHA |
| 7 CHB - | 8 CHB |
| 9 INDEX - | 10 INDEX |

***CAUTION:** The ICM-1100 10-pin connectors are designed for the N23 and N34 encoders from Galil. If you are using Galil's Motor-5-500, Motor-50-1000 or Motor-500-1000, you must cut encoder wires 5, 6, 7 and 9.

ICM-1100 Drawing



AMP-11x0 Mating Power Amplifiers

The AMP-11X0 series are mating, brush-type servo amplifiers for the DMC-1000. The AMP-1110 contains one amplifier; the AMP-1120, two amplifiers; the AMP-1130, three; and the AMP-1140, four. Each amplifier is rated for 7 amps continuous, 10 amps peak at up to 80 volts. The gain of the AMP-11X0 is 1 amp/volt. The AMP-11X0 requires an external DC supply. The AMP-11X0 connects directly to the DMC-1000 ribbon connectors, and screw-type terminals are provided for connection to motors, encoders and external switches.

Features

- 6 amps continuous, 10 amps peak; 20 to 80 volts.
- Available with 1, 2, 3, or 4 amplifiers.
- Connects directly to DMC-1000 series controllers via ribbon cables.
- Screw-type terminals for easy connection to motors, encoders and switches.
- Steel mounting plate with 1/4" keyholes.

Specifications

| | |
|-------------------------------|---------------------|
| Minimum motor inductance: | 1 mH |
| PWM frequency | 30 KHz |
| Ambient operating temperature | 0-70° C |
| Dimensions | 5.7" x 13.4" x 2.5" |
| Weight | 4 pounds |
| Mounting | Keyholes - 1/4Φ |
| Gain | 1 amp/volt |

DB-10072 OPTO-22 Expansion Option

The DB-10072 is a separate full-length PC card designed to work with OPTO-22 I/O isolation products that feature the 50 pin IDC connector (i.e. OPTO-22 model number G4PB24). It connects to the DMC-1000 and provides 72 I/O points. Three 50-pin cables may be connected to the card, each handling up to 24 I/O points. The first 48 I/O points can be configured through software (I/O configuration options shown below). I/O points 9 through 56 can be configured as inputs or outputs (in groups of 8). I/O points 57 through 80 are always inputs.

Configuring the I/O for the DB-10072

The command, CO, is used to configure blocks of 8 bits as inputs or outputs. The command has one field:

CO n

where n is a 6-bit number represented in decimal. A 6 bit number ranges, in decimal, between 0 and 64. Each bit in the 6-bit number represents one of the 8-bit I/O blocks. If the representative bit is one, the corresponding I/O block will be configured as an output.

| 8-Bit I/O Block | Block | Bit | Binary | Decimal Value of |
|-----------------|-------|-----|--------|------------------|
|-----------------|-------|-----|--------|------------------|

| | | | Representation | Bit |
|-------------|----------|----------|----------------------|----------|
| 9-16 | 1 | 0 | 2⁰ | 1 |
| 17-24 | 2 | 1 | 2 ¹ | 2 |
| 25-32 | 3 | 2 | 2 ² | 4 |
| 33-40 | 4 | 3 | 2 ³ | 8 |
| 41-48 | 5 | 4 | 2 ⁴ | 16 |
| 49-56 | 6 | 5 | 2 ⁵ | 32 |

The simplest method for determining the proper value for n is to do the following: 1. Choose which 8-bit I/O blocks that should be configured as outputs. 2. From the table, determine the decimal value for each I/O block to be set as an output. 3. Add up all of the values determined in step 2. This is the value to be used for n.

For example, if blocks 1,2 and 4 are outputs, then n is 11 and the command, CO11, should be issued.

This parameter, and the state of the outputs, can be stored in the EEPROM with the BN command. If no value has been set, the default of CO 0 is used (all blocks are inputs).

When configured as an output, each I/O point may be defined with the SBn and CBn commands (where n=9 through 56). OBn can also be used with n=9 through 56.

Accessing the I/O of the DB-10072

The command, OQ, may be used to set the state of output bits. The OQ command set 16 bits at one time. The command syntax for the command is the following:

OQ m,n,o (where m, n and o range from 0 to 65535).

The data fields define the outputs as follows:

| Field | Most significant to least significant byte |
|-------|--|
| m | block 2 to 1 |
| n | block 4 to 3 |
| o | block 6 to 5 |

When OQ is used as an operand, a 0 will return the current state of blocks 2 to 1, a 1 returns 4 to 3, and a 2 returns 6 to 5. Example: MG_OQ2 returns the state of the bits in blocks 6 and 5.

When accessing I/O blocks configured as inputs, use the TIn command. The operand 'n' refers to the block to be read (n=1 to 9). Individual bits can be queried using the @IN[n] command (where n=9 to 80).

If the command below is issued

MG @IN[17]

the response is the least significant bit of block 2 (assuming block 2 is configured as input).

Connector Description of the DB-10072

Three cables connect the DB-10072 to OPTO-22 products. One cable is located at the back of the card and may be connected from outside the PC (J1). The other two are attached from within the PC (J2 and J3). Pinouts are described below:

J1 Pinout

| Pin | <u>Block</u> | <u>Bit No.</u> | <u>SBn,@IN[n]</u> | Pin | Signal |
|------------|---------------------|-----------------------|--------------------------|------------|---------------|
| 1 | 1 | 7 | 16 | 2 | Ground |
| 3 | 1 | 6 | 15 | 4 | Ground |
| 5 | 1 | 5 | 14 | 6 | Ground |
| 7 | 1 | 4 | 13 | 8 | Ground |
| 9 | 1 | 3 | 12 | 10 | Ground |
| 11 | 1 | 2 | 11 | 12 | Ground |
| 13 | 1 | 1 | 10 | 14 | Ground |
| 15 | 1 | 0 | 9 | 16 | Ground |
| 17 | 2 | 7 | 24 | 18 | Ground |
| 19 | 2 | 6 | 23 | 20 | Ground |
| 21 | 2 | 5 | 22 | 22 | Ground |
| 23 | 2 | 4 | 21 | 24 | Ground |
| 25 | 2 | 3 | 20 | 26 | Ground |
| 27 | 2 | 2 | 19 | 28 | Ground |
| 29 | 2 | 1 | 18 | 30 | Ground |
| 31 | 2 | 0 | 17 | 32 | Ground |
| 33 | 3 | 7 | 32 | 34 | Ground |
| 35 | 3 | 6 | 31 | 36 | Ground |
| 37 | 3 | 5 | 30 | 38 | Ground |
| 39 | 3 | 4 | 29 | 40 | Ground |
| 41 | 3 | 3 | 28 | 42 | Ground |
| 43 | 3 | 2 | 27 | 44 | Ground |
| 45 | 3 | 1 | 26 | 46 | Ground |
| 47 | 3 | 0 | 25 | 48 | Ground |
| 49 | volts | | | 50 | Ground |

J2 Pinout

| Pin | <u>Block</u> | <u>Bit No.</u> | <u>SBn,@IN[n]</u> | Pin | |
|------------|---------------------|-----------------------|--------------------------|------------|--------|
| 1 | 4 | 7 | 40 | 2 | Ground |
| 3 | 4 | 6 | 39 | 4 | Ground |
| 5 | 4 | 5 | 38 | 6 | Ground |
| 7 | 4 | 4 | 37 | 8 | Ground |
| 9 | 4 | 3 | 36 | 10 | Ground |
| 11 | 4 | 2 | 35 | 12 | Ground |
| 13 | 4 | 1 | 34 | 14 | Ground |
| 15 | 4 | 0 | 33 | 16 | Ground |
| 17 | 5 | 7 | 48 | 18 | Ground |
| 19 | 5 | 6 | 47 | 20 | Ground |
| 21 | 5 | 5 | 46 | 22 | Ground |
| 23 | 5 | 4 | 45 | 24 | Ground |
| 25 | 5 | 3 | 44 | 26 | Ground |

| Pin | <u>Block</u> | <u>Bit No.</u> | <u>SBn,@IN[n]</u> | Pin | |
|------------|---------------------|-----------------------|--------------------------|------------|--------|
| 27 | 5 | 2 | 43 | 28 | Ground |
| 29 | 5 | 1 | 42 | 30 | Ground |
| 31 | 5 | 0 | 41 | 32 | Ground |
| 33 | 6 | 7 | 56 | 34 | Ground |
| 35 | 6 | 6 | 55 | 36 | Ground |
| 37 | 6 | 5 | 54 | 38 | Ground |
| 39 | 6 | 4 | 53 | 40 | Ground |
| 41 | 6 | 3 | 52 | 42 | Ground |
| 43 | 6 | 2 | 51 | 44 | Ground |
| 45 | 6 | 1 | 50 | 46 | Ground |
| 47 | 6 | 0 | 49 | 48 | Ground |
| 49 | volts | | | 50 | Ground |

J3 Pinout (Note: All points are inputs on this cable):

| Pin | <u>Block</u> | <u>Bit No.</u> | <u>@IN[n]</u> | Pin | |
|------------|---------------------|-----------------------|----------------------|------------|--------|
| 1 | 7 | 7 | 64 | 2 | Ground |
| 3 | 7 | 6 | 63 | 4 | Ground |
| 5 | 7 | 5 | 62 | 6 | Ground |
| 7 | 7 | 4 | 61 | 8 | Ground |
| 9 | 7 | 3 | 60 | 10 | Ground |
| 11 | 7 | 2 | 59 | 12 | Ground |
| 13 | 7 | 1 | 58 | 14 | Ground |
| 15 | 7 | 0 | 57 | 16 | Ground |
| 17 | 8 | 7 | 72 | 18 | Ground |
| 19 | 8 | 6 | 71 | 20 | Ground |
| 21 | 8 | 5 | 70 | 22 | Ground |
| 23 | 8 | 4 | 69 | 24 | Ground |
| 25 | 8 | 3 | 68 | 26 | Ground |
| 27 | 8 | 2 | 67 | 28 | Ground |
| 29 | 8 | 1 | 66 | 30 | Ground |
| 31 | 8 | 0 | 65 | 32 | Ground |
| 33 | 9 | 7 | 80 | 34 | Ground |
| 35 | 9 | 6 | 79 | 36 | Ground |
| 37 | 9 | 5 | 78 | 38 | Ground |
| 39 | 9 | 4 | 77 | 40 | Ground |
| 41 | 9 | 3 | 76 | 42 | Ground |
| 43 | 9 | 2 | 75 | 44 | Ground |
| 45 | 9 | 1 | 74 | 46 | Ground |
| 47 | 9 | 0 | 73 | 48 | Ground |
| 49 | volts | | | 50 | Ground |

DB-10096 I/O Expansion

The DB-10096 is an attachment board that provides an additional 64 inputs and 32 TTL-level outputs. (Other I/O configurations are available). The inputs are pulled up to 5 Volts with 4.7K resistors. The DB-10096 attaches to the DMC-1000 with a ribbon cable. The inputs and outputs are available via two 60-pin IDC ("header type") connectors, J1 and J2, and are connected with ribbon cables.

Accessing the I/O of the DB-10096

The 64 inputs may be read individually using the @IN[n] function where n=1 through 8 represent the standard 8 inputs on the DMC-1000 and n=9 through 72 represent the 64 inputs on the DB-10096. For example, V1=@IN[9] reads input 9 on the DB-10096 and assigns the value to variable V1.

Inputs may also be read in groups of 8 using the command, TIn, where n=0 through 8. n=0 reads inputs 1 through 8 on the DMC-1000, n=1 reads inputs 9 through 16 on the DB-10096, n=2 reads inputs 17 through 24 and so on as shown in the table below. For example, if inputs 17 through 24 are high, V1=_TI2 assigns the value 255 to variable V1.

| TIn | Inputs |
|------------|---------------|
| 0 | 1-8 |
| 1 | 9-16 |
| 2 | 17-24 |
| 3 | 25-32 |
| 4 | 33-40 |
| 5 | 41-48 |
| 6 | 49-56 |
| 7 | 57-64 |
| 8 | 65-72 |

The AI command is only available for inputs 1 through 8 on the DMC-1000.

The 32 outputs are controlled using the SBn, CBn and OBn instructions where n=1 through 8 represent the 8 outputs on the DMC-1000 and n=9 through 40 represent the 32 outputs available on the DB-10096.

A command, OQ, is available with the DB-10096. This command has two fields addressing 16 outputs each.

OQ m,n

The first field m controls outputs 9 to 24. The second field n controls 25 to 40. When OQ is used in an operand, a 0 will return inputs 9-24 and a 1 will return 25-40. For example, if outputs 9 and 10 are high and all others are low, then MG_OQ0 returns a 3.

Pinouts for DB-10096 Connectors

J1 Pinout

| | |
|-----------|------------|
| 1 out 9 | 2 out 10 |
| 3 out 11 | 4 out 12 |
| 5 out 13 | 6 out 14 |
| 7 out 15 | 8 out 16 |
| 9 out 17 | 10 out 18 |
| 11 out 19 | 12 out 20 |
| 13 out 21 | 14 out 22 |
| 15 out 23 | 16 out 24 |
| 17 NC | 18 GND |
| 19 GND | 20 out 25 |
| 21 out 26 | 22 out 27 |
| 23 out 28 | 24 out 29 |
| 25 out 30 | 26 out 31 |
| 27 out 32 | 28 out 33 |
| 29 out 34 | 30 out 35 |
| 31 out 36 | 32 out 37 |
| 33 out 38 | 34 out 39 |
| 35 out 40 | 36 NC |
| 37 NC | 38 GND |
| 39 GND | 40 NC |
| 41 in 9 | 42 in 10 |
| 43 in 11 | 44 in 12 |
| 45 in 13 | 46 in 14 |
| 47 in 15 | 48 in 16 |
| 49 in 17 | 50 in 18 |
| 51 in 19 | 52 in 20 |
| 53 in 21 | 54 in 22 |
| 55 in 23 | 56 in 24 |
| 57 NC | 58 GND |
| 59 GND | 60 5 Volts |

J2 Pinout

| | |
|----------|------------|
| 1 in 25 | 2 in 26 |
| 3 in 27 | 4 in 28 |
| 5 in 29 | 5 in 30 |
| 7 in 31 | 8 in 32 |
| 9 in 33 | 10 in 34 |
| 11 in 35 | 12 in 36 |
| 13 in 37 | 14 in 38 |
| 15 in 39 | 16 in 40 |
| 17 NC | 18 GND |
| 19 GND | 20 in 41 |
| 21 in 42 | 22 in 43 |
| 23 in 44 | 24 in 45 |
| 25 in 46 | 26 in 47 |
| 27 in 48 | 28 in 49 |
| 29 in 50 | 30 in 51 |
| 31 in 52 | 32 in 53 |
| 33 in 54 | 34 in 55 |
| 35 in 56 | 36 NC |
| 37 NC | 38 GND |
| 39 GND | 40 NC |
| 41 in 57 | 42 in 58 |
| 43 in 59 | 44 in 60 |
| 45 in 61 | 46 in 62 |
| 47 in 63 | 48 in 64 |
| 49 in 65 | 50 in 66 |
| 51 in 67 | 52 in 68 |
| 53 in 69 | 54 in 70 |
| 55 in 71 | 56 in 72 |
| 57 NC | 58 GND |
| 59 GND | 60 5 Volts |

Coordinated Motion - Mathematical Analysis

The terms of coordinated motion are best explained in terms of the vector motion. The vector velocity, V_s , which is also known as the feed rate, is the vector sum of the velocities along the X and Y axes, V_x and V_y .

$$V_s = \sqrt{V_x^2 + V_y^2}$$

The vector distance is the integral of V_s , or the total distance traveled along the path. To illustrate this further, suppose that a string was placed along the path in the X-Y plane. The length of that string represents the distance traveled by the vector motion.

The vector velocity is specified independently of the path to allow continuous motion. The path is specified as a collection of segments. For the purpose of specifying the path, define a special X-Y coordinate system whose origin is the starting point of the sequence. Each linear segment is specified by the X-Y coordinate of the final point expressed in units of resolution, and each circular arc is defined by the arc radius, the starting angle, and the angular width of the arc. The zero angle corresponds to the positive direction of the X-axis and the CCW direction of rotation is positive. Angles are expressed in degrees, and the resolution is 1/256th of a degree. For example, the path shown in Fig. 12.2 is specified by the instructions:

| | |
|----|-----------------|
| VP | 0,10000 |
| CR | 10000, 180, -90 |
| VP | 20000, 20000 |

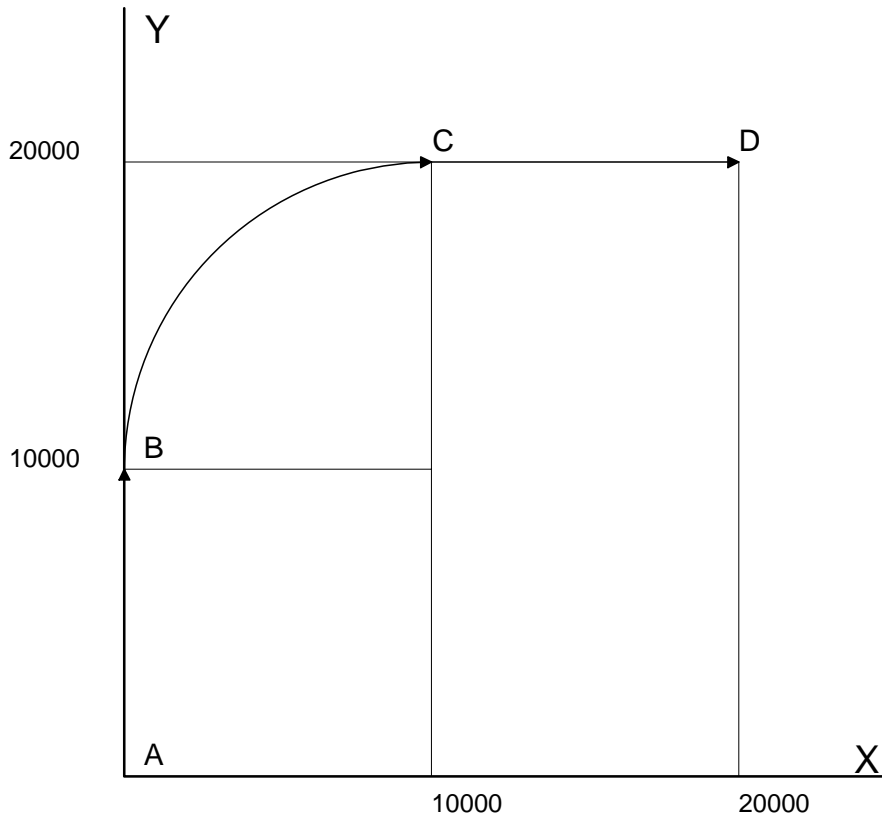


Figure 12.2 - X-Y Motion Path

The first line describes the straight line vector segment between points A and B. The next segment is a circular arc, which starts at an angle of 180° and traverses -90°. Finally, the third line describes the linear segment between points C and D. Note that the total length of the motion consists of the segments:

| | | |
|-----|----------|---|
| A-B | Linear | 10000 units |
| B-C | Circular | $\frac{R \Delta\theta 2\pi}{360} = 15708$ |
| C-D | Linear | 1000 |
| | Total | 35708 counts |

In general, the length of each linear segment is

$$L_k = \sqrt{Xk^2 + Yk^2}$$

Where Xk and Yk are the changes in X and Y positions along the linear segment. The length of the circular arc is

$$L_k = R_k|\Delta\Theta_k|2\pi/360$$

The total travel distance is given by

$$D = \sum_{k=1}^n L_k$$

The velocity profile may be specified independently in terms of the vector velocity and acceleration.

For example, the velocity profile corresponding to the path of Fig. 12.2 may be specified in terms of the vector speed and acceleration.

| | |
|----|---------|
| VS | 100000 |
| VA | 2000000 |

The resulting vector velocity is shown in Fig. 12.3.

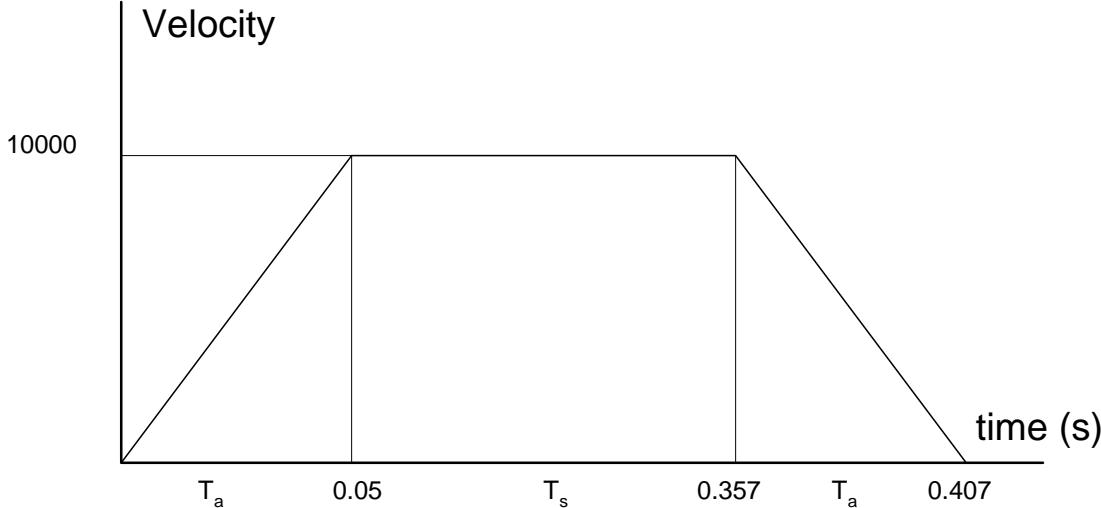


Figure 12.3 - Vector Velocity Profile

The acceleration time, T_a, is given by

$$T_a = \frac{VS}{VA} = \frac{100000}{2000000} = 0.05s$$

The slow time, T_s , is given by

$$T_s = \frac{D}{VS} - T_a = \frac{35708}{100000} - 0.05 = 0.307s$$

The total motion time, T_t , is given by

$$T_t = \frac{D}{VS} + T_a = 0.407s$$

The velocities along the X and Y axes are such that the direction of motion follows the specified path, yet the vector velocity fits the vector speed and acceleration requirements.

For example, the velocities along the X and Y axes for the path shown in Fig. 12.2 are given in Fig. 12.4.

Fig. 12.4a shows the vector velocity. It also indicates the position point along the path starting at A and ending at D. Between the points A and B, the motion is along the Y axis. Therefore,

$$V_y = V_s$$

and

$$V_x = 0$$

Between the points B and C, the velocities vary gradually and finally, between the points C and D, the motion is in the X direction.

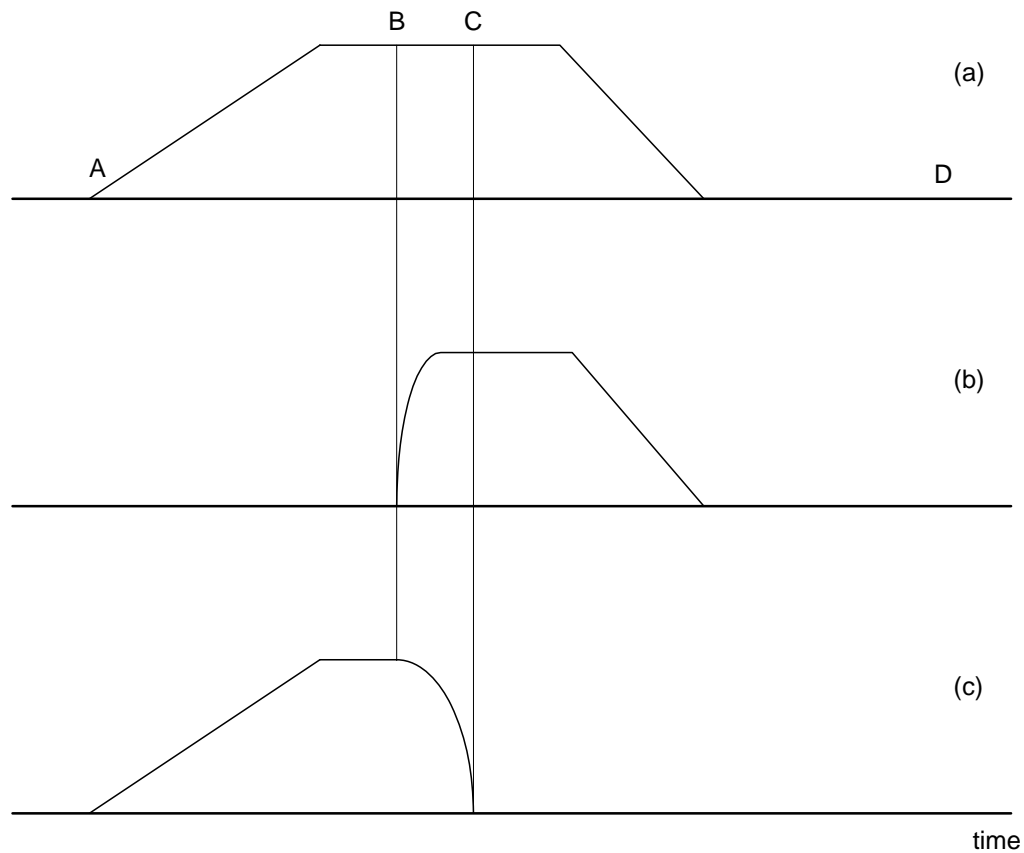


Figure 12.4 - Vector and Axes Velocities

DMC-600/DMC-1000 Comparison

| Modes of Motion | DMC-600 | DMC-6X1 | DMC-1000 |
|---|---------|---------|----------------------------------|
| Relative positioning | Yes | Yes | Yes |
| Absolute positioning | Yes | Yes | Yes |
| Velocity control | Yes | Yes | Yes |
| Linear interpolation | XY only | XY only | Up to 4 axes |
| Circular interpolation | XY only | XY only | Any 2 axes plus 3rd tangent |
| Maximum number of segments in motion path | 255 | 255 | Infinite, continuous vector feed |
| Contouring | Yes | Yes | Yes |
| Electronic gearing | No | Yes | Yes |
| S-curve profiling | No | Yes | Yes |
| Programmable acceleration rate | Yes | Yes | Yes |
| Programmable deceleration rate | Yes | No | No |

| Specifications | DMC-600 | DMC-6X1 | DMC-1000 |
|-------------------------------------|-------------------------------|------------------------------|--|
| Maximum encoder frequency | .5 x 10 ⁶ counts/s | 2 x 10 ⁶ counts/s | 8 x 10 ⁶ counts/s |
| DAC resolution | 8-bits | 12-bits | 14-bits or 16-bits |
| Maximum move length | 8 x 10 ⁶ | 8 x 10 ⁶ | 2 x 10 ⁹ |
| Sample time | 1 msec | 1 msec | 0.5 msec (4 axes) |
| Program memory | 500 lines, 32 chr | 500 lines, 32 chr | 500 lines, 40 chr |
| EEPROM memory for parameter storage | None | None | Yes |
| Number of variables | 64 (V0-V63) | 64 (V0-V63) | 126; symbolic up to 8 chr |
| Number of array elements | None | 1000 (1 array) | 1600 (up to 14 arrays) |
| Digital filter type | GN,ZR,KI | GN,ZR,KI | KP,KI,KD with velocity and acceleration feedforward and integrator limit |

| Hardware | DMC-600 | DMC-6X1 | DMC-1000 |
|---------------------------|------------------|------------------|----------------------------------|
| Maximum # of axes/card | 3 | 3 | 4 (8 for DMC-1080) |
| Analog inputs | 8 with DMC-63010 | 8 with DMC-63010 | 7 standard |
| Digital inputs | 8 TTL | 8 TTL | 8 optoisolated (24 for DMC-1080) |
| Digital outputs | 8 TTL | 8 TTL | 8 TTL (16 for DMC-1080) |
| High speed position latch | None | Yes | Yes |
| Dual encoder inputs | none | Yes | Yes |
| Motor command output | +/- 10V | +/- 10V | +/- 10V and step/direction |

DMC-600/DMC-1000 Command Comparison

Unchanged Commands

| | |
|----|-----------------------------------|
| AB | Abort motion |
| AC | Acceleration rate |
| AD | After distance trippoint |
| AI | After input trippoint |
| AM | After motion trippoint |
| AP | After absolute position trippoint |
| AS | After at speed trippoint |
| BG | Begin motion |
| CB | Clear output bit |
| CM | Contour mode |
| CR | Circular segment |
| CS | Clear motion sequence |
| DL | Download program |
| DP | Define position |
| ED | Edit mode |
| EN | End program |
| EO | Echo ON/OFF |
| ER | Define error limit |
| FA | Acceleration feedforward |
| FE | Find edge |
| GN | Gain |
| HM | Home |
| II | Interrupt for input |
| IN | Input prompt |
| IP | Increment position |
| JG | Jog mode |
| JP | Conditional jump |
| JS | Conditional jump subroutine |
| KI | Integrator gain |
| LS | List program |
| MG | Message |
| MO | Motor off |
| NO | No-op |
| OE | Automatic error shut-off |
| OF | Offset |
| OP | Write output port |
| PA | Position absolute |
| PR | Position relative |
| RE | Return from error subroutine |
| RI | Return from interrupt subroutine |
| RS | Reset controller |

| | |
|-----|-----------------------|
| SB | Set output bit |
| SC | Stop code/status |
| SH | Servo here |
| SP | Slew speed |
| ST | Stop motion/program |
| TB | Tell status byte |
| TC | Tell error code |
| TE | Tell error |
| TI | Tell inputs |
| TL | Torque limit |
| TM | Sample time |
| TP | Tell position |
| TR | Trace |
| TS | Tell switches |
| TT | Tell torque |
| UL | Upload program |
| VA | Vector acceleration |
| Vn= | Variable definition |
| VP | Vector position |
| VS | Vector speed |
| WT | Programmable timer |
| XG | Execute program |
| ZR | Filter zero |
| ZS | Zero subroutine stack |

New Commands

| | |
|--------|--|
| AL | Arm latch |
| AR | After relative distance trippoint |
| AT | After time |
| AV | After vector distance trippoint |
| A[j]=n | Define array element |
| BL | Set reverse software limit |
| BN | Burn EEPROM |
| CD | Contour data |
| CE | Configure encoder |
| CN | Configure inputs and step motor |
| CO | Configure I/O points (DB-10072 only) |
| DA | Deallocate variables and arrays |
| DC | Deceleration |
| DE | Dual encoder position |
| DM | Dimension array |
| DT | Delta time for contouring |
| DV | Dual Velocity |
| EI | Enable interrupts |

| | |
|----|---|
| ES | Ellipse scale |
| FI | Search for encoder index |
| FL | Set forward software limit |
| FV | Velocity feedforward |
| GA | Specify master axis for gearing |
| GR | Specify gear ratio |
| HX | Halt task |
| IL | Integrator limit |
| IT | Independent time constant for smoothing |
| KD | Derivative constant |
| KP | Proportional constant |
| KS | Stepper Smoothing Constant |
| LE | Linear interpolation end |
| LI | Linear interpolation distance |
| LM | Linear interpolation mode |
| MT | Motor type |
| OB | Output Bit |
| PF | Position format |
| RA | Record array |
| RC | Record |
| RD | Record data |
| RP | Report command position |
| TN | Tangent |
| TV | Tell velocity |
| VD | Vector deceleration |
| VE | Vector sequence end |
| VF | Variable format |
| VM | Coordinated motion mode |
| VT | Vector time constant - S-curve |
| WC | Wait for contour data |

Deleted Commands

| Deleted | Commands | Comments |
|----------------|------------------------------|---------------------------------|
| DB | Deadband | Not necessary |
| DC | Decimal mode | Use local format; PF,VF |
| DD | Define dual encoder position | DE |
| DR | Set DAC resolution | 14-bits only |
| HX | Hex mode | Use local format; PF,VF |
| LA | Arm latch | Replaced by AL command |
| LN | Learn mode | Use Record mode; RA and RD |
| MF | Master frequency | Use Electronic Gearing; GA & GR |
| MP | Master position | Use Electronic Gearing; GA & GR |
| MS | Master/slave mode | Use Electronic Gearing; GA & GR |
| P | Axis position (equate) | Use _TP |

| | | |
|----|---|------------------------------|
| PC | Latch position | Use _RP |
| PD | Dual encoder position | Use _DE |
| PE | Position error (equate) | Use _TE |
| PL | Pole | Not required with KP, KD, KI |
| RC | Report when complete | Use AM or _BG |
| RM | Acceleration ramp | Use IT |
| SE | Specify encoder type | Use CE |
| SV | Servo | Use SH |
| TA | Enable S-curve | Use IT |
| TD | Tell dual encoder | Use MG _DE |
| TF | Tell master frequency Use Electronic Gearing; GA & GR | |
| TV | Enable S-curve | Use VT |
| VR | Specify S-curve | Use VT |
| ZM | Zero master Use Electronic Gearing; GA & GR | |

DMC-600/DMC-1000 Pin-out Conversion Table

| DMC-600 | DMC-1000 | Function |
|---------|----------|-----------------|
| Pin # | Pin # | |
| 1 | 1 | Ground |
| 2 | 2 | +5V |
| 3 | 3 | Error |
| 4 | 4 | Reset |
| 5 | 29 | Motor command Z |
| 6 | 27 | Motor command Y |
| 7 | 25 | Motor command X |
| 8 | 1,60 | Ground |
| 9 | 49 | Index Z |
| 10 | 50 | Index - Z |
| 11 | 47 | CH B Z |
| 12 | 48 | CH B- Z |
| 13 | 45 | CH A Z |
| 14 | 46 | CH A- Z |
| 15 | 43 | Index Y |
| 16 | 44 | Index - Y |
| 17 | 41 | CH B Y |
| 18 | 42 | CH B- Y |
| 19 | 39 | CH A Y |
| 20 | 40 | CH A- Y |
| 21 | 12 | Forward limit Z |
| 22 | 13 | Reverse limit Z |

| | | |
|----|--------------------|-----------------|
| 23 | 14 | Home Z |
| 24 | 9 | Forward limit Y |
| 25 | 10 | Reverse limit Y |
| 26 | 11 | Home Y |
| 27 | 24 | Abort |
| 28 | 9 (J5) isolated 5V | +5V |
| 29 | 37 | Index X |
| 30 | 38 | Index - X |
| 31 | 35 | CH B X |
| 32 | 36 | CH B- X |
| 33 | 33 | CH A X |
| 34 | 34 | CH A- X |
| 35 | 6 | Forward limit X |
| 36 | 7 | Reverse limit X |
| 37 | 8 | Home X |
| 38 | 1,60 | Ground |
| 39 | | N.C. |
| 40 | 18 (J5) | Input 8 |
| 41 | 19 (J5) | Input 7 |
| 42 | 20 (J5) | Input 6 |
| 43 | 21 (J5) | Input 5 |
| 44 | 22 (J5) | Input 4 |
| 45 | 23 (J5) | Input 3 |
| 46 | 24 (J5) | Input 2 |
| 47 | 25 (J5) | Input 1 |
| 48 | 8 (J5) | Ground |
| 49 | 17 (J5) | Output 7 |
| 50 | 16 (J5) | Output 6 |
| 51 | 15 (J5) | Output 5 |
| 52 | 14 (J5) | Output 4 |
| 53 | 13 (J5) | Output 3 |
| 54 | 12 (J5) | Output 2 |
| 55 | 11 (J5) | Output 1 |
| 56 | 18 or 10 (J5) | Output 0 |
| 57 | 57 | +12 V |
| 58 | 58 | - 12 V |
| 59 | 59 | + 5 V |
| 60 | 60 | Ground |

List of Other Publications

"Step by Step Design of Motion Control Systems"

by Dr. Jacob Tal

"Motion Control Applications"

by Dr. Jacob Tal

"Motion Control by Microprocessors"

by Dr. Jacob Tal

Contacting Us

Galil Motion Control

203 Ravendale Drive

Mountain View, CA 94043

Phone: 650-967-1700

Fax: 650-967-1751

BBS: 650-964-8566 (8-N-1) up to 14,400 baud.

Internet address: support@galilmc.com

URL: www.galilmc.com

FTP: [galilmc.com](ftp://galilmc.com)

WARRANTY

All products manufactured by Galil Motion Control are warranted against defects in materials and workmanship. The warranty period for controller boards is 1 year. The warranty period for all other products is 180 days.

In the event of any defects in materials or workmanship, Galil Motion Control will, at its sole option, repair or replace the defective product covered by this warranty without charge. To obtain warranty service, the defective product must be returned within 30 days of the expiration of the applicable warranty period to Galil Motion Control, properly packaged and with transportation and insurance prepaid. We will reship at our expense only to destinations in the United States.

Any defect in materials or workmanship determined by Galil Motion Control to be attributable to customer alteration, modification, negligence or misuse is not covered by this warranty.

EXCEPT AS SET FORTH ABOVE, GALIL MOTION CONTROL WILL MAKE NO WARRANTIES EITHER EXPRESSED OR IMPLIED, WITH RESPECT TO SUCH PRODUCTS, AND SHALL NOT BE LIABLE OR RESPONSIBLE FOR ANY INCIDENTAL OR CONSEQUENTIAL DAMAGES.

COPYRIGHT (10-94)

The software code contained in this Galil product is protected by copyright and must not be reproduced or disassembled in any form without prior written consent of Galil Motion Control, Inc.

Index

A

Abort 1, 25–26, 30, 49, 55, 125, 127, 145, 147, 151–52, 161, 175, 179, 1, 25–26, 30, 49, 55, 125, 127, 145, 146, 151–52, 174, 178
Off-On-Error 12, 27, 30, 125, 127, 12, 26, 30, 125, 126
Stop Motion 49, 55, 99, 128, 49, 55, 99, 128
Absolute Position 19, 45–46, 91–92, 96, 175, 19, 45–46, 91–92, 96, 174
Absolute Value 96, 102, 126, 96, 102, 126
Acceleration 172–73, 174–76, 178, 171–72, 173–75, 177
Accessories 154
Address 6, 9–10, 33–36, 38–39, 106–8, 130, 153, 155–57, 180, 5, 9–10, 33–36, 38–39, 106–8, 130, 153, 155–57, 179
Almost Full Flags 35
AMP-1100 15, 159, 15, 159
Amplifier Enable 31–32, 125, 31–32, 125
Amplifier Gain 4, 136, 139, 141, 4, 136, 139, 141
Analog Input 1, 3, 8, 25, 31, 102–4, 105, 110, 117, 122, 145, 159, 174, 1, 3, 8, 25, 31, 102–4, 105, 110, 117, 122, 145, 173
Analysis
SDK 11, 83, 11, 83
Arithmetic Functions 1, 83, 95, 101, 103, 114, 1, 83, 95, 101, 103, 114
Arm Latch 81, 176–77, 81, 175–76
Array 3, 53, 68–70, 83, 89, 95, 101, 105–13, 115, 146, 154, 174, 176–77, 3, 53, 68–70, 83, 89, 95, 101, 105–13, 115, 146, 154, 173, 175–76
Autocad 154
Automatic Subroutine 86, 97, 86, 97
CMDERR 86, 98, 100, 86, 98, 100
LIMSWI 25, 86, 97–98, 126–28, 25, 86, 97–98, 125–27
MCTIME 86, 91, 98, 99, 86, 91, 98, 99
POSERR 86, 97–98, 126–27, 86, 97–98, 126–27
Auxiliary Board 3, 148, 154, 3, 148, 154

Auxiliary Encoder 1, 5, 25, 59, 71–75, 150, 152, 160, 1, 5, 25, 59, 71–75, 150, 152
Dual Encoder 74, 107, 74, 107

B

Backlash 73–75, 122, 73–75, 122
Backlash Compensation
Dual Loop 71–75, 71–75, 122, 71–75, 71–75, 122
Begin Motion 175, 174
Bit-Wise 95, 100, 95, 100
Burn
EEPROM 3
Non-volatile memory 1–3, 1–3
Bypassing Optoisolation 29

C

Capture Data
Record 68, 70, 105, 108, 109, 68, 70, 105, 108, 109
Circle 119–20, 119–20
Circular Interpolation 1, 23, 54–55, 59, 107, 119, 1, 23, 54–55, 59, 107, 119
Clear Bit 114
Clear Sequence 49, 51, 55, 57, 49, 51, 55, 57
Clock 105
CMDERR 86, 98, 100, 86, 98, 100
Command
Syntax 41–42, 41–42
Command Summary 44, 105, 107, 44, 105, 107
Commanded Position 46–47, 59–60, 99, 107, 117, 131–33, 46–47, 59–60, 99, 107, 117, 131–33
Commdisk 6, 8, 11, 36, 6, 9, 11, 36
Communication 3
Almost Full Flag 35
FIFO 3, 33, 35–36, 39, 3, 33, 35–36, 39
Compensation
Backlash 73–75, 122, 73–75, 122
Conditional jump 1, 21, 27, 83, 93–95, 116, 1, 21, 27, 83, 93–95, 116
Configuration
Jumper 6–7, 11, 29, 36, 38, 130, 6–7, 11, 29, 36, 38, 130
Connector 5–8, 25, 28, 32, 5–8, 25, 27, 32
Contour Mode 66–70, 66–70
Control Filter
Damping 130, 134, 130, 134
Integrator 134, 138–39, 134, 138–39
Proportional Gain 134
Coordinated Motion 42, 53–55, 42, 53–55
Circular 1, 23, 54–55, 59, 107, 119, 1, 23, 54–55, 59, 107, 119
Contour Mode 66–70, 66–70
Ecam 61–62, 65, 61–62, 65
Electronic Cam 61, 63, 61, 63

- Electronic Gearing 1, 55–61, 1, 55–61
- Gearing 1, 55–61, 1, 55–61
- Linear Interpolation 23, 48–51, 48–51, 53, 59, 66, 23, 47–51, 47–51, 53, 59, 66
- Cosine 101–2, 106, 101–2, 106
- Cycle Time
 - Clock 105

D

- DAC 1, 134, 138–39, 141, 1, 134, 138–39, 141
- Damping 130, 134, 130, 134
- Data Capture 106–8, 106–8
- Data Output
 - Set Bit 114
- Daughter Board
 - DB-10096 3–4, 3–4
 - DB-10096 3–4, 3–4
- Debugging 88
- Deceleration 1
- Default Setting**
 - Master Reset** 6–7, 6–7
- Differential Encoder 12, 14, 130, 12, 15, 130
- Digital Filter 138–39, 141–43, 138–39, 141–43
- Digital Input 25, 27, 102, 115, 25, 27, 102, 115
- Digital Output 102, 114, 102, 114
 - Clear Bit 114
- Dip Switch 10, 11
 - Address 153, 155–57, 180, 153, 155–57, 179
- Download 83, 107, 83, 107
- Dual Encoder 74, 107, 74, 107
 - Backlash 73–75, 122, 73–75, 122
 - Dual Loop 71–75, 71–75, 122, 71–75, 71–75, 122
- Dual Loop 71–75, 71–75, 122, 71–75, 71–75, 122
 - Backlash 73–75, 122, 73–75, 122

E

- Ecam 61–62, 65, 61–62, 65
 - Electronic Cam 61, 63, 61, 63
- Echo 39
- Edit Mode 21, 83–84, 89–90, 21, 83–84, 90
- Editor 1, 21–22, 83–84, 1, 21–22, 83–84
- EEPROM 3
 - Non-Volatile Memory 1–3, 1–3
- Electronic Cam 61, 63, 61, 63
- Electronic Gearing 1, 55–61, 1, 55–61
- Ellipse Scale 57
- Enable
 - Amplifier Enable 31–32, 125, 31–32, 125
- Encoder 43
 - Auxiliary Encoder 1, 5, 25, 59, 71–75, 71–75, 150, 152, 160, 1, 5, 25, 59, 71–75, 71–75, 150, 152
 - Differential 12, 14, 130, 12, 15, 130
 - Dual Encoder 74, 107, 74, 107

- Index Pulse 12, 26, 78, 12, 26, 78
- Quadrature 1–3, 4, 114, 118, 126, 137, 1–3, 4, 114, 118, 126, 137
- Error Handling 25, 86, 97–98, 126–28, 25, 86, 97–98, 125–27
- Error Limit 12, 13, 18, 30, 98, 125–27, 12, 13, 18, 30, 98, 125–27
 - Off-On-Error 12, 27, 30, 125, 127, 12, 26, 30, 125, 126
- Example
 - Wire Cutter 118
- Execute Program 22–23, 22–23

F

- Feedrate 51, 56, 57, 93, 119–20, 51, 56, 57, 93, 119–20
- FIFO 3, 33, 35–36, 39, 3, 33, 35–36, 39
- Filter Parameter
 - Damping 130, 134, 130, 134
 - Integrator 134, 138–39, 134, 138–39
 - PID 14, 134, 138, 143, 15, 134, 138, 143
 - Proportional Gain 134
 - Stability 74–75, 122, 129–30, 74–75, 122, 129–30
- Find Edge 26, 78, 26, 78
- Flags
 - Almost full 35
- Formatting 110, 111–13, 110, 111–13
- Frequency 1, 4, 140–42, 1, 4, 140–42
- Function 26–27, 100–106, 119, 121, 122, 26, 100–106, 119, 121, 122
- Functions
 - Arithmetic 83, 95, 101, 103, 114, 83, 95, 101, 103, 114

G

- Gain
 - Proportional 134
- Gear Ratio 58–60, 58–60
- Gearing 1, 55–61, 1, 55–61

H

- Halt 50, 55, 87–91, 93–94, 115, 50, 55, 87–91, 93–94, 115
 - Abort 1, 25–26, 30, 49, 55, 125, 127, 145, 147, 151–52, 161, 175, 179, 1, 25–26, 30, 49, 55, 125, 127, 145, 146, 151–52, 174, 178
 - Off-On-Error 12, 27, 30, 125, 127, 12, 26, 30, 125, 126
 - Stop Motion 49, 55, 99, 128, 49, 55, 99, 128
- Hardware 1, 25, 114, 125, 1, 25, 114, 125
 - Address 6, 9–10, 33–36, 38–39, 106–8, 130, 153, 155–57, 180, 5, 9–10, 33–36, 38–39, 106–8, 130, 153, 155–57, 179

- Amplifier Enable 31–32, 125, 31–32, 125
- Clear Bit 114
- Jumper 29, 36, 38, 130, 29, 36, 38, 130
- Offset Adjustment 32, 129, 32, 129
- Output of Data 110
- Set Bit 114
- TTL 4, 25, 27, 31–32, 125, 4, 25, 27, 31–32, 125
- Home Input 26, 78, 105, 26, 78, 105
- Homing 26, 78, 26, 78
 - Find Edge 26, 78, 26, 78

I

I/O

- Amplifier Enable 31–32, 125, 31–32, 125
- Analog Input 8, 102–4, 105, 110, 117, 122, 8, 102–4, 105, 110, 117, 122
- Clear Bit 114
- DB-10096 3–4, 3–4
- Digital Input 25, 27, 102, 115, 25, 27, 102, 115
- Digital Output 102, 114, 102, 114
- Home Input 26, 78, 105, 26, 78, 105
- Output of Data 110
- Set Bit 114
- TTL 4, 25, 27, 31–32, 125, 4, 25, 27, 31–32, 125
- ICM-1100 6–8, 12, 25, 29, 30, 125, 6–8, 12, 25, 29, 30, 125
- Independent Motion
 - Jog 20, 92–93, 98–100, 104, 122, 126, 20, 92–93, 98–100, 104, 122, 126
- Index Pulse 12, 26, 78, 12, 26, 78
- ININT 86, 98, 116, 86, 98, 116
- Input
 - Analog 8, 102–4, 105, 110, 117, 122, 8, 102–4, 105, 110, 117, 122
 - Digital 102, 115, 102, 115
- Input Interrupt 38, 86, 93, 98, 116, 38, 86, 93, 98, 116
 - ININT 86, 98, 116, 86, 98, 116
- Input of Data 109
- Inputs
 - Analog 1, 3, 25, 31, 145, 159, 174, 1, 3, 25, 31, 145, 173
- Installation 7–8, 129, 7–8, 129
- Integrator 134, 138–39, 134, 138–39
- Interconnect Module
 - AMP-1100 159
 - ICM-1100 12, 25, 29, 30, 125, 12, 25, 29, 30, 125
- Interface
 - Terminal 83, 103, 111, 83, 103, 111
- Internal Variable 23, 95, 103, 104, 23, 95, 103, 104
- Interrogation 19, 20, 43–44, 110, 111, 19, 20, 43–44, 110, 111
- Interrupt 1–3, 6–7, 9, 33–34, 36–39, 86–87, 93, 97–98, 116, 1–3, 6–7, 9, 33–34, 36–39, 86–87, 93, 97–98, 116

- Invert Loop Polarity 130

J

- Jog 20, 92–93, 98–100, 104, 122, 126, 20, 92–93, 98–100, 104, 122, 126
- Joystick 104, 121–22, 104, 121–22
- Jumper** 6–7, 11, 29, 36, 38, 130, 6–7, 11, 29, 36, 38, 130

K

- Keyword 95, 101, 103, 105–6, 95, 101, 103, 105–6
 - TIME 105–6, 105–6

L

- Label 29, 83–88, 91–98, 104–5, 109, 114–17, 120, 122–23, 127, 29, 83–88, 91–98, 104–5, 109, 114–17, 120, 122–23, 127
 - LIMSWI 126–28, 125–27
 - POSERR 126–27, 126–27
 - Special Label 86, 127, 86, 127
- Latch 30, 81, 30, 81
 - Arm Latch 81, 176–77, 81, 175–76
 - Data Capture 106–8, 106–8
 - Position Capture 81
 - Record 68, 70, 105, 108, 109, 68, 70, 105, 108, 109
 - Teach 70
- Limit
 - Torque Limit 14, 20, 14, 20
- Limit Switch 25–26, 30, 86–87, 97–98, 105, 126–28, 130, 25–26, 30, 86–87, 97–98, 105, 125–27, 130
- LIMSWI 25, 86, 97–98, 126–28, 25, 86, 97–98, 125–27
- Linear Interpolation 23, 48–51, 48–51, 53, 59, 66, 23, 47–51, 47–51, 53, 59, 66
 - Clear Sequence 49, 51, 55, 57, 49, 51, 55, 57
- Logical Operator 96

M

- Masking
 - Bit-Wise 95, 100, 95, 100
- Master Reset** 6–7, 6–7
- Math Function
 - Absolute Value 96, 102, 126, 96, 102, 126
 - Bit-Wise 95, 100, 95, 100
 - Cosine 101–2, 106, 101–2, 106
 - Logical Operator 96
 - Sine 102
- Mathematical Expression 95, 100, 102, 95, 100, 102
- MCTIME 86, 91, 98, 99, 86, 91, 98, 99
- Memory 1–3, 21, 83, 89, 96, 98, 105, 107, 1–3, 21, 83, 89, 96, 98, 105, 107

- Array 3, 53, 68–70, 83, 89, 95, 101, 105–13, 115, 146, 154, 174, 176–77, 3, 53, 68–70, 83, 89, 95, 101, 105–13, 115, 146, 154, 173, 175–76
- Download 83, 107, 83, 107
- Upload 83
- Message 88, 98–99, 101, 108–11, 117, 127–28, 89, 98–99, 101, 108–11, 117, 127–28
- Modelling 131, 134–35, 138, 131, 134–35, 138
- Motion Complete
 - MCTIME 86, 91, 98, 99, 86, 91, 98, 99
- Motion Smoothing 1, 76, 77, 1, 76, 77
 - S-Curve 50, 55, 50, 55
- Motor Command 1, 14, 20, 32, 138, 1, 14, 20, 32, 138
- Moving
 - Acceleration 172–73, 174–76, 178, 171–72, 173–75, 177
 - Begin Motion 175, 174
 - Circular 1, 23, 54–55, 59, 107, 119, 1, 23, 54–55, 59, 107, 119
- Multitasking 87
 - Execute Program 22–23, 22–23
 - Halt 50, 55, 87–91, 93–94, 115, 50, 55, 87–91, 93–94, 115

N

- Non-Volatile Memory 1–3, 1–3

O

- OE
 - Off-On-Error 125, 127, 125, 126
- Off-On-Error 12, 27, 30, 125, 127, 12, 26, 30, 125, 126
- Offset Adjustment 32, 129, 32, 129
- Operand
 - Internal Variable 23, 95, 103, 104, 23, 95, 103, 104
- Operators
 - Bit-Wise 95, 100, 95, 100
- Optoisolation 25, 27–28, 30, 25, 27–28, 30
 - Home Input 26, 78, 105, 26, 78, 105
- Output
 - Amplifier Enable 31–32, 125, 31–32, 125
 - ICM-1100 12, 25, 29, 30, 12, 25, 29, 30
 - Interconnect Module 6–8, 6–8
 - Motor Command 1, 14, 20, 32, 138, 1, 14, 20, 32, 138
- Output of Data 110
 - Clear Bit 114
 - Set Bit 114

P

- PID 14, 134, 138, 143, 15, 134, 138, 143
- Play Back 108
- POSERR 86, 97–98, 126–27, 86, 97–98, 126–27

- Position Error 13, 19, 14, 19
- Position Capture 81
 - Latch 30, 81, 30, 81
 - Teach 70
- Position Error 12, 13, 19, 30, 86, 98, 104, 107, 117, 122, 125–27, 130, 133, 12, 14, 19, 30, 86, 98, 104, 107, 117, 122, 125–26, 130, 133
- Position Follow 117
- Position Limit 126
- Program Flow 85, 90, 85, 90
 - Interrupt 1–3, 6–7, 86–87, 93, 97–98, 116, 1–3, 6–7, 86–87, 93, 97–98, 116
 - Stack 97, 100, 116, 97, 100, 116
- Programmable 1, 114, 122, 126, 1, 114, 122, 126
 - EEPROM 3
- Programming
 - Halt 87–91, 93–94, 115, 87–91, 93–94, 115
- Proportional Gain 134
- Protection
 - Error Limit 12, 13, 18, 30, 98, 125–27, 12, 13, 18, 30, 98, 125–27
 - Torque Limit 14, 20, 14, 20
- PWM 4

Q

- Quadrature 1–3, 4, 114, 118, 126, 137, 1–3, 4, 114, 118, 126, 137
- Quit
 - Abort 1, 25–26, 30, 49, 55, 125, 127, 145, 147, 151–52, 161, 175, 179, 1, 25–26, 30, 49, 55, 125, 127, 145, 146, 151–52, 174, 178
 - Stop Motion 49, 55, 99, 128, 49, 55, 99, 128

R

- Record 68, 70, 105, 108, 109, 68, 70, 105, 108, 109
 - Latch 30, 81, 30, 81
 - Position Capture 81
 - Teach 70
- Register 33–36, 38, 104, 33–36, 38, 104
- Reset** 6–7, 25, 31, 36, 94, 125, 127, 6–7, 25, 31, 36, 94, 125, 127
 - Master Reset** 6–7, 6–7

S

- Save
 - Non-Volatile Memory 1–3, 1–3
- SB
 - Set Bit 114
- Scaling
 - Ellipse Scale 57
- S-Curve
 - Motion Smoothing 1, 77, 1, 77

SDK 11, 83, 11, 83
 Selecting Address 6, 9–10, 33–36, 38–39, 106–8, 130,
 153, 155–57, 180, 5, 9–10, 33–36, 38–39, 106–8,
 130, 153, 155–57, 179
 Servo Design Kit 1
 SDK 11, 83, 11, 83
 Set Bit 114
 Sine 102
 Single-Ended 4, 12, 14, 4, 12, 14
 Slew 1, 91, 93, 118, 1, 91, 93, 118
 Smoothing 1, 50, 52, 55, 57, 71–77, 1, 50, 51, 55, 57,
 71–77
 Software
 Autocad 154
 Commdisk 6, 8, 11, 36, 6, 9, 11, 36
 SDK 1, 11, 83, 1, 11, 83
 Terminal 83, 103, 111, 83, 103, 111
 Special Label 86, 127, 86, 127
 Stability 74–75, 122, 129–30, 134, 140, 74–75, 122,
 129–30, 134, 140
 Stack 97, 100, 116, 97, 100, 116
 Zero Stack 100, 116, 100, 116
 Status 34–35, 52, 88–90, 104, 108, 34–35, 52, 88–90,
 104, 108
 Interrogation 19, 20, 43–44, 58, 110, 111, 19, 20, 43–
 44, 58, 110, 111
 Stop Code 108, 130, 108, 130
 Step Motor 1–4, 6, 8, 77–78, 1–4, 6, 8, 77–78
 KS, Smoothing 1, 50, 52, 55, 57, 71–77, 1, 50, 51,
 55, 57, 71–77
 Stop
 Abort 1, 25–26, 30, 49, 55, 125, 127, 145, 147, 151–
 52, 161, 175, 179, 1, 25–26, 30, 49, 55, 125, 127,
 145, 146, 151–52, 174, 178
 Stop Code 108, 130, 108, 130
 Stop Motion 49, 55, 99, 128, 49, 55, 99, 128
 Subroutine 25, 86, 94–98, 116, 126–27, 25, 86, 94–98,
 116, 125–27
 Automatic Subroutine 86, 97, 86, 97
 Synchronization 4, 61, 4, 61
 Syntax 41–42, 41–42

T

Tangent 54, 56–57, 54, 56–57
 Teach 70
 Data Capture 106–8, 106–8
 Latch 30, 81, 30, 81
 Play-Back 108
 Position Capture 81
 Record 68, 70, 105, 108, 109, 68, 70, 105, 108, 109
 Tell Error
 Position Error 13, 19, 14, 19
 Tell Position 39, 92, 104–6, 39, 92, 104–6
 Terminal 26, 29, 83, 103, 111, 25, 29, 83, 103, 111

Theory 131
 Damping 130, 134, 130, 134
 Digital Filter 138–39, 141–43, 138–39, 141–43
 Modelling 131, 134–35, 138, 131, 134–35, 138
 PID 14, 134, 138, 143, 15, 134, 138, 143
 Stability 74–75, 122, 129–30, 134, 140, 74–75, 122,
 129–30, 134, 140
 Time
 Clock 105
 TIME 105–6, 105–6
 Time Interval 66–68, 70, 107, 66–68, 70, 107
 Timeout 9, 86, 91, 98, 99, 9, 86, 91, 98, 99
 MCTIME 86, 91, 98, 99, 86, 91, 98, 99
 Torque Limit 14, 20, 14, 20
 Trigger 1, 83, 90, 91–94, 1, 83, 90, 91–94
 Trippoint 91, 97, 91, 97
 Troubleshooting 129
 TTL 4, 25, 27, 31–32, 125, 4, 25, 27, 31–32, 125
 Tuning
 SDK 11, 83, 11, 83
 Stability 74–75, 122, 129–30, 134, 140, 74–75, 122,
 129–30, 134, 140

U

Upload 83
 User Unit 114

V

Variable
 Internal 23, 95, 103, 104, 23, 95, 103, 104
 Vector Acceleration 23, 51–52, 57, 120, 23, 51–52, 57,
 120
 Vector Deceleration 23, 51–52, 57, 23, 51–52, 57
 Vector Mode
 Circle 119–20, 119–20
 Circular Interpolation 1, 23, 54–55, 59, 107, 119, 1,
 23, 54–55, 59, 107, 119
 Clear Sequence 49, 51, 55, 57, 49, 51, 55, 57
 Ellipse Scale 57
 Feedrate 51, 56, 57, 93, 119–20, 51, 56, 57, 93, 119–
 20
 Tangent 54, 56–57, 54, 56–57
 Vector Speed 23, 49–55, 57, 93, 120, 23, 49–55, 57,
 93, 120

W

Wire Cutter 118

X

XQ
 Execute Program 22–23, 22–23

Z

Zero Stack 100, 116, 100, 116